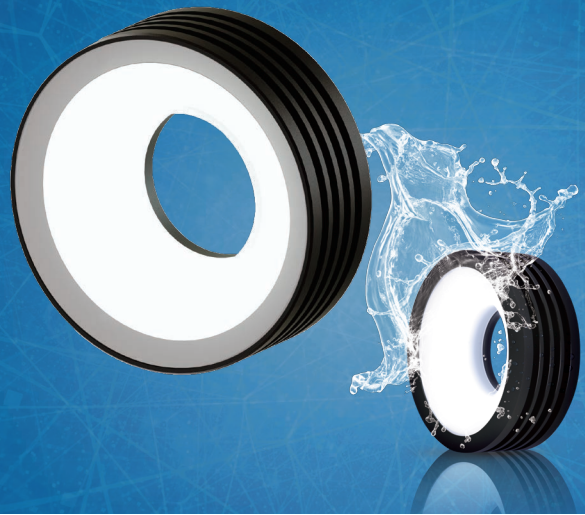


Multi-position Ring Light IMAR series

Highly versatile with variable illumination distance

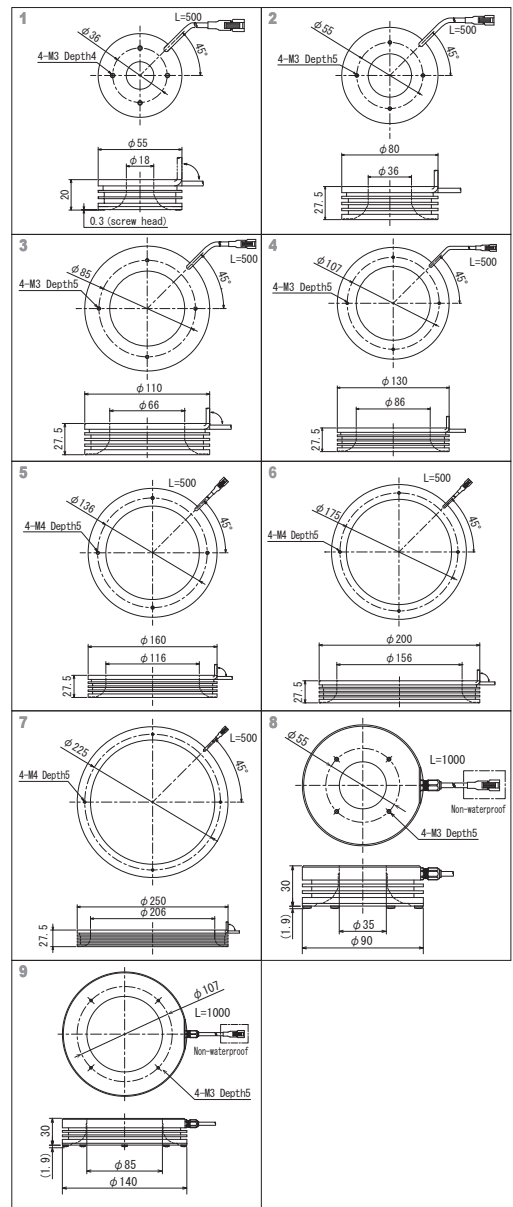


IP67 standard-compliant dust & water proof model is available

24V DC Models Available

Standard Type

Model	Light Color	Power Consumption (W)	Input Voltage	SAG (*)	Power Supply	Drawing
IMAR-55□	AR	4.5	DC12V	95	ILP-30M2 (P.81) IDGB series (P.89) other, overdrive power supply etc.	1
	W	4.5		C2		
	B	4.5		C5		
IMAR-80□	AR	8.5		7F		2
	W	8		AC		
IMAR-110□	AR	12		87		3
	W	13.5		AC		
IMAR-130□	B	13.5		AE		4
	AR	14.5		80		
	W	16		A6		
IMAR-160□	B	16		A9		5
	AR	20		7A		
	W	20	A5			
IMAR-200□	B	20	79	6		
	AR	24	7E			
	W	24	AA			
IMAR-250□	B	24	B2	7		
	AR	28.8	8C			
	W	28.8	BA			
	B	28.8	85			



Dust & Waterproof specification (IP67 standard-compliant)

Model	Light Color	Power Consumption (W)	Input Voltage	SAG (*)	Power Supply	Drawing
IMAR-90□-WP	AR	8.5	DC12V	7F	ILP-30M2 (P.81) IDGB series (P.89) other, overdrive power supply etc.	8
	W	8		AC		
	B	8		AE		
IMAR-140□-WP	AR	14.5		80		9
	W	16		A6		
	B	16		A9		

□ represents light color (AR=Red, W=White, B=Blue)

*Input voltage is 12 V DC, but 24 V DC models are also available.

*Please refer page 80 to confirm the details of DC 24V models.

*The SAG value indicates the maximum voltage setting for SAG power supplies. For details, see page 101.

Functional Characteristics

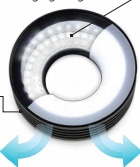
FEATURES

Dense concentration of highintensity power LEDs

High-intensity power LEDs are mounted densely to provide extremely bright, more even ring lighting. A special diffusion plate makes it possible to project diffuse light unaffected by ghost images produced by LED elements.

Heat-dissipating fins

An original heat-dissipating structure provides drastically improved heat dissipation.

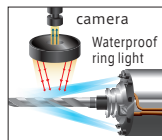


International Protection code

"6" for the first digit of the protection code indicates the degree of protection from the following:

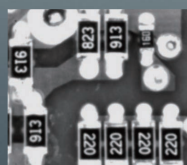
•Dust-tight
•"7" for the second digit of the protection code indicates the degree of protection from the following:

•Protection against effect of immersion in water under defined conditions of pressure and time
•The device (with a height less than 850 mm) can be located 1,000 mm below the surface of the water for 30 minutes consecutively



Effect

Lighting effects are altered by changing lighting height. Light used : IMAR-80W



WD=20mm
Printing clearly emphasized



WD=60mm
Wiring pattern and electrodes emphasized



WD=100mm
Only electrodes emphasized

LIGHTING STRUCTURE

