

Horizontal Opposed Ring Light IDRA-T series

Highlighting irregular surface profiles
via horizontal illumination



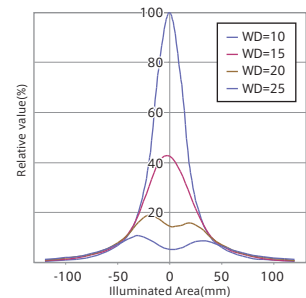
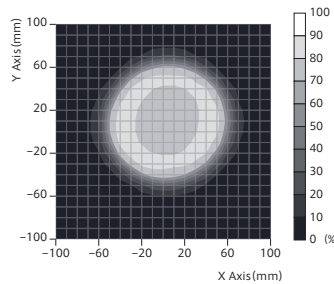
24V DC Models Available



Model	Light Color	Power Consumption (W)	Input Voltage	SAG (*)	Power Supply	Drawing
IDRA-T78/46□-1	DR	2.4	DC12V	C6	ILP-30M2 (P.81) IDGB series (P.89) other, overdrive power supply etc.	1
	DW B G	2.9		FF		
IDRA-T84/54□-1	DR	3		C7		2
	DW B G	2.9		FF		
IDRA-T96/60□-1	DR	3.6		C7		3
	DW B G	3.6		FF		
IDRA-T122/92□-1	DR	4.2		C8		4
	DW B G	4.7		FF		
IDRA-T152/114□-1	DR	5.4	C8	5		
	DW B G	5.8	FF			
IDRA-T176/140□-1	DR	7.2	CA	6		
	DW B G	7.2	FF			
IDRA-T206/170□-1	DR	8.4	CA	7		
	DW B G	8.7	FF			
IDRA-T450/400R-1	R	11.6	—	8		
IDRA-T450/400□-1	DW B G	17.3	—			

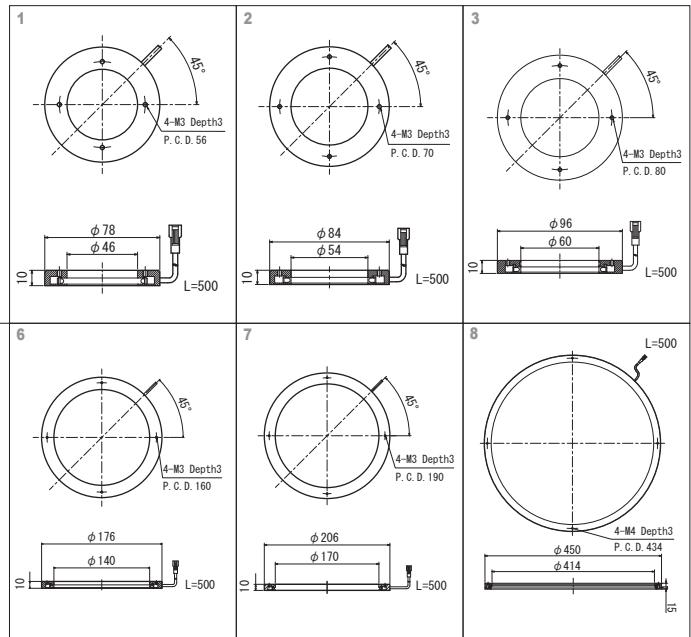
□ represents light color (DR=Red, DW=White, B=Blue, G=Green).
 *Optional diffusion ring can be mounted.
 *Input voltage is 12 V DC, but 24 V DC models are also available.
 *Please refer page 80 to confirm the details of DC 24V models.
 *Sizes other than those above are also available.
 *The SAG value indicates the maximum voltage setting for SAG power supplies. For details, see page 101.

Luminance Distribution Chart (Reference Values)



Work surface can be illuminated uniformly from a close distance.
 Measurement model: IDRA-T176/140DW-1
 WD: 10mm

Variable working distance substantially limits illuminated area.
 Measurement model: IDRA-T96/60DW-1



Effect

Stamped characters and surface scratches can be detected without any LED shadow.



IDRA-T78/46B-1



IDRA-T96/60DR-1



Direct Ring Light



IDRA-T122/92DR-1

LIGHTING STRUCTURE

