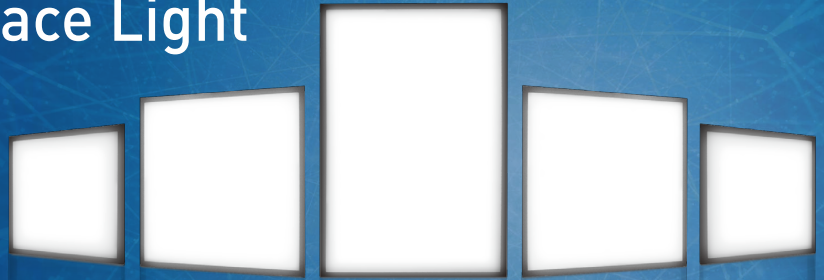


Realux Large Flat-surface Light IFPA series

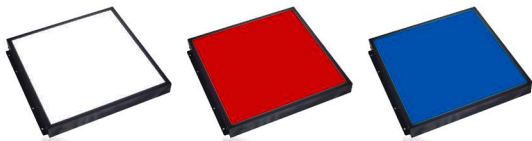
Large, uniform surface lighting

Size available in multiples of □100mm.

(Standard is up to □400mm)



Power LEDs



Model	Light Color	Power Consumption (W)	Input Voltage	Power Supply	Drawing	
IFPA-200/100□HV	R AW B	20	DC24V	ILP-60M2-24 (P.81)	1	
IFPA-300/100□HV	R AW B	30			IDGB-24 series (P.89)	2
IFPA-400/100□HV	R AW B	40				3
IFPA-200/200□HV	R AW B	40		IWDV-100S-24 (P.96)	4	
IFPA-300/200□HV	R AW B	60			5	
IFPA-400/200□HV	R AW B	80			6	
IFPA-300/300□HV	R AW B	90			7	
IFPA-400/300□HV	R AW B	120			IWDV-300S-24 (P.96)	8
IFPA-400/400□HV	R AW B	160				9

□ represents light color (R=Red, AW=White, B=Blue)

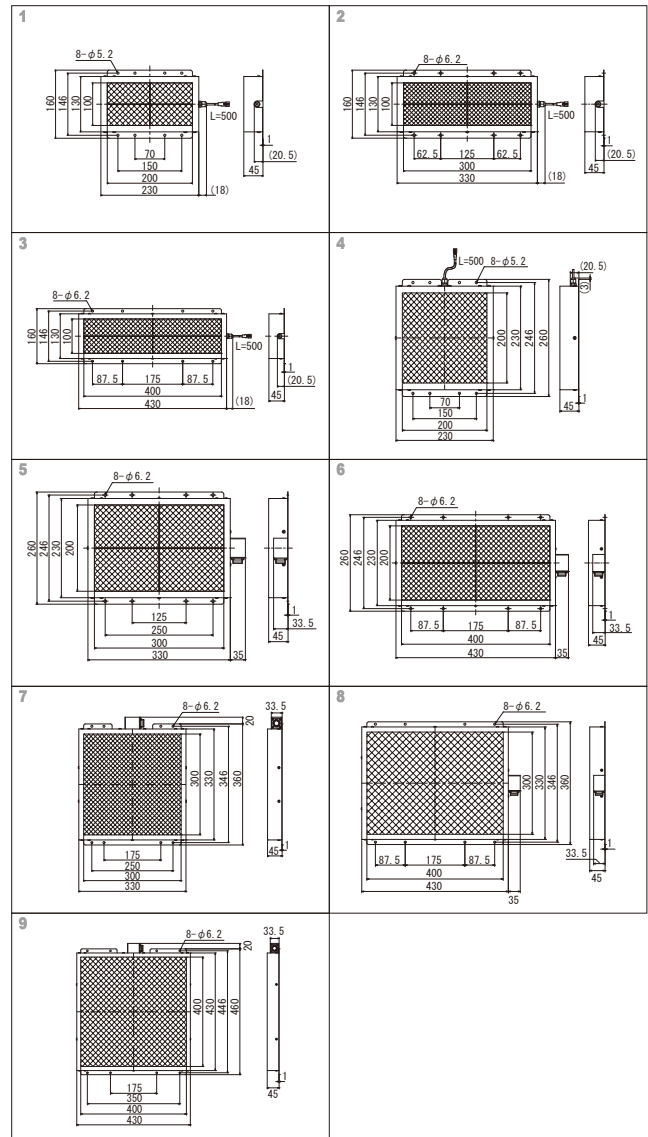
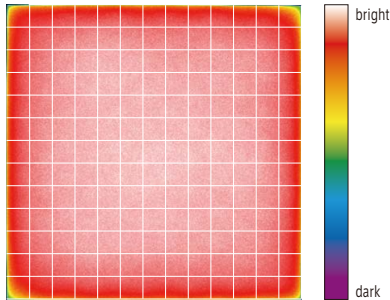
*For lights with power consumption less than 60W, please use extension cables on page 106-107-108

*Light with more than 60W power consumption have metal connectors. For the lightings, use extension cables on page 107 (for DC24V light)

Luminance Distribution Chart (Reference Values)

Delivers light with uniformity of within 10% except within approximately 50 mm of the outer sides of the light-emitting surface.

Measurement model:
IFPA-300/300AWHV



Effect

Ideal for visual inspection of large workpieces.



IFPA-400/400AWHV



IFPA-400/400AWHV



IFPA-200/200AWHV

LIGHTING STRUCTURE

