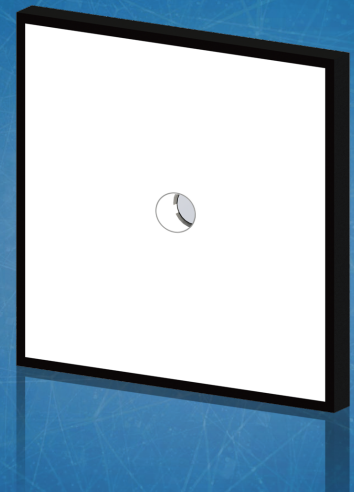


# Large Flat-surface Light with a Opening IFPA-D series

Large and high uniform flat-surface Light corresponding to camera imaging

To match the different Lens, 2 kinds of sight glass are lined up!



Power LEDs

- Light emission surface size:from 200×100mm (minimum) to 500×500mm (maximum) in 100mm increments are available.
- 2 opening size:  $\phi 35$ mm or  $\phi 55$ mm, in the center of the light emission surface.
- Various customize is available
- Opening position: Can be changed in vertical and horizontal directions in units of 50mm from the center of the light emission surface.
- Connector position: The connector position can be changed to the short side or the long side.

Model	Light Color	Power Consumption (W)	Input Voltage	Power supply type	Power Supply	Drawing
IFPA-200/100□HV-(X1)D	R AW B	15	DC24V	①	[Power supply type①] ILP-60M2-24(P.81) IDGB-24 series(P.89) etc	1
IFPA-200/200□HV-(X1)D	R AW B	35		①		2
IFPA-300/100□HV-(X1)D	R AW B	25		①	1	
IFPA-300/200□HV-(X1)D	R AW B	55		②	4	
IFPA-300/300□HV-(X1)D	R AW B	85		②	1	
IFPA-400/100□HV-(X1)D	R AW B	35		③	3	
IFPA-400/200□HV-(X1)D	R AW B	75		③	4	
IFPA-400/300□HV-(X1)D	R AW B	115		③	1	
IFPA-400/400□HV-(X1)D	R AW B	155		③	3	
IFPA-500/100□HV-(X1)D	R AW B	45		③	1	
IFPA-500/200□HV-(X1)D	R AW B	95		③	3	
IFPA-500/300□HV-(X1)D	R AW B	145		③	1	
IFPA-500/400□HV-(X1)D	R AW B	195		③	3	
IFPA-500/500□HV-(X1)D	R AW B	245		③	4	

□ represents light color(R=Red, AW=White, B=Blue)

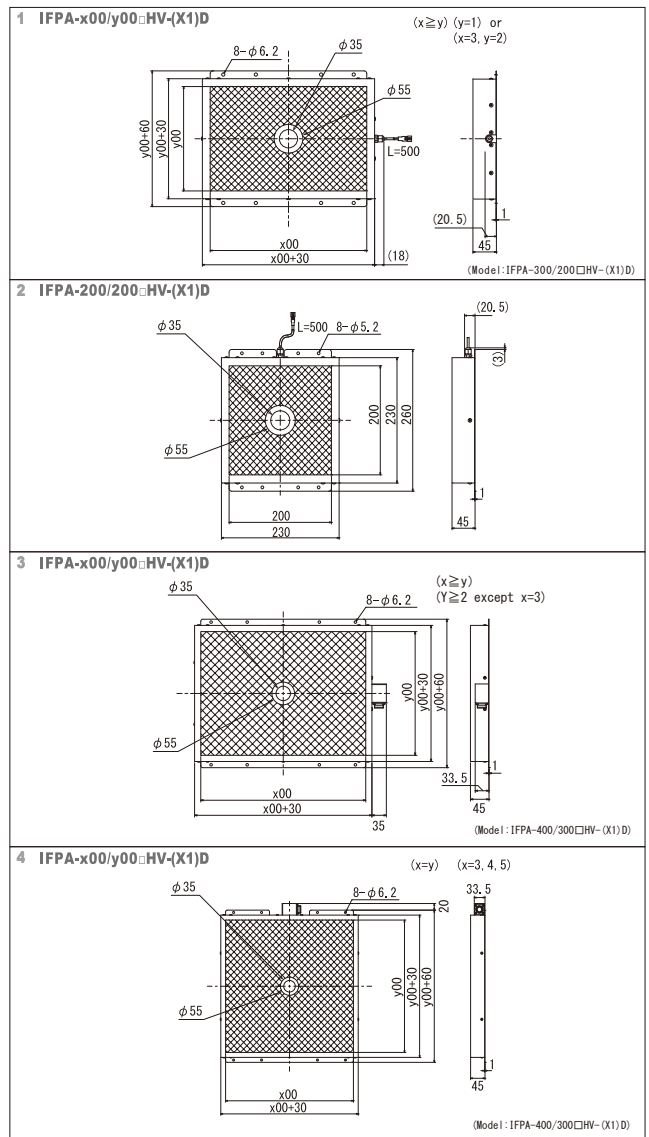
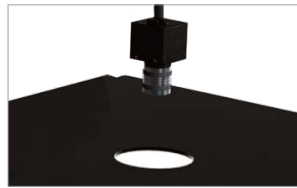
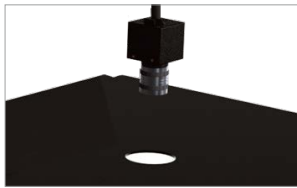
\*The X1 represents the opening diameter(35=35mm,55=55mm).

\*Please use the extension cable which describe in the Page 106 - 107 - 108 in case using the light no more than 70W power consumption.

\*Light with more than 70W power consumption have metal connectors. For the lightings, use extension cables on Page 107 (for DC24V light).

## Lineup 2 opening size

Lineup 2 opening size depending on lens size



## Effect

Suitable for appearance inspection of large-sized objects

