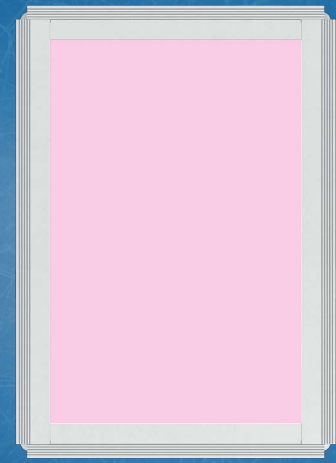


# Large Flat-surface Light IFD Infrared series

Large IR LED surface light

Low Cost

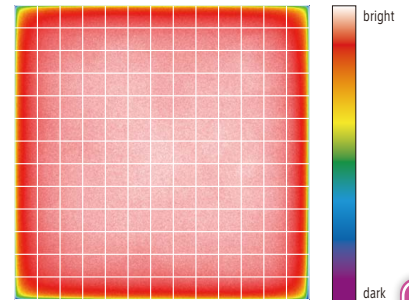


Model	Light Color	Power Consumption (W)	Input Voltage	Power Supply
IFD-200/100IR-850	IR (850)	16	DC24V	IWDV-100S-24 (P.96)
IFD-300/100IR-850	IR (850)	24		
IFD-400/100IR-850	IR (850)	32		
IFD-500/100IR-850	IR (850)	40		
IFD-600/100IR-850	IR (850)	48		
IFD-200/200IR-850	IR (850)	32		
IFD-300/200IR-850	IR (850)	48		
IFD-400/200IR-850	IR (850)	64		
IFD-500/200IR-850	IR (850)	80		
IFD-600/200IR-850	IR (850)	96		
IFD-300/300IR-850	IR (850)	72		
IFD-400/300IR-850	IR (850)	96		
IFD-500/300IR-850	IR (850)	120		
IFD-600/300IR-850	IR (850)	144		
IFD-400/400IR-850	IR (850)	128		
IFD-500/400IR-850	IR (850)	160		
IFD-600/400IR-850	IR (850)	192		
IFD-500/500IR-850	IR (850)	200		
IFD-600/500IR-850	IR (850)	240		
				IWDV-300S-24 (P.96)

### Luminance Distribution Chart (Reference Values)

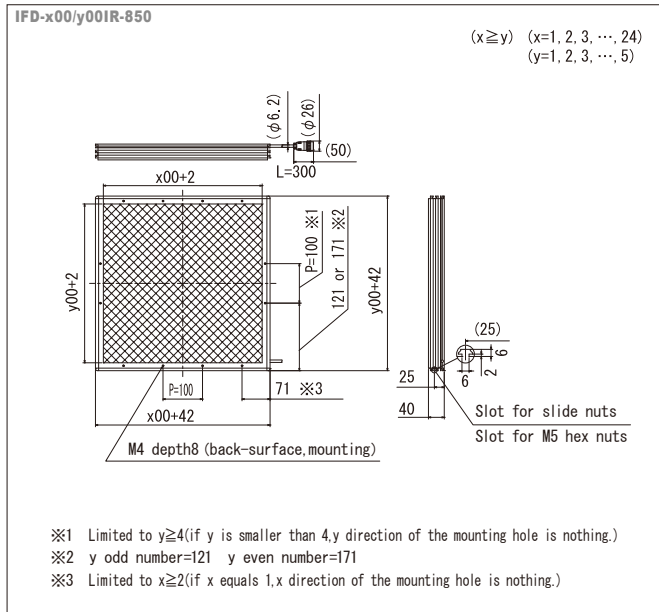
Delivers light with uniformity of within 10% except within approximately 50 mm of the outer sides of the light-emitting surface.

Measurement model:  
IFD-400/400IR-850

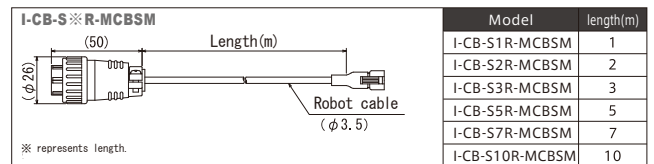


### Available to 100mm increment !

<Maximum available size>  
 · 2400mm × 100mm    · 1500mm × 200mm    · 1000mm × 300mm  
 · 700mm × 400mm

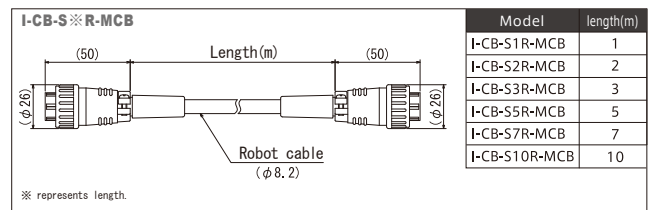


### Extension Cable (For connecting to ILP-60M2-24 and IDGB-24)



Capacity is MAX 70W.

### Extension Cable (For connecting to IWDV power supply)



For details of the extension cable, see P107.