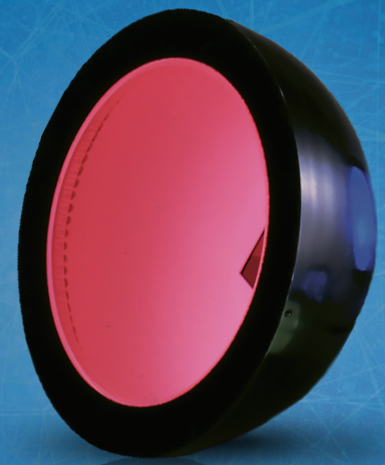


Dome Light IDD-K·IDU-C series

Uniform dome irradiation with reflective coaxial light

24V DC Models Available



IDD-K series

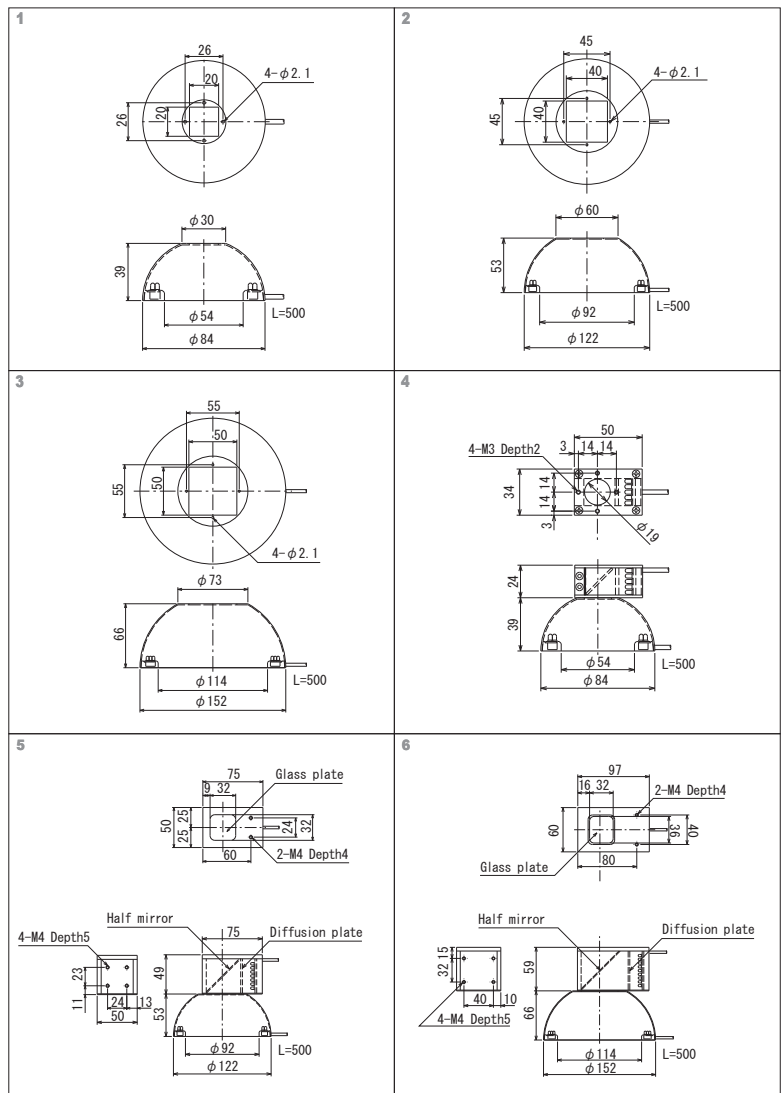


IDU-C series



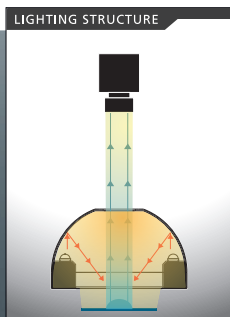
Model	Light Color	Power Consumption (W)	Input Voltage	SAG (*)	Power Supply	Drawing	
IDD-K80R	R	3.9	DC12V	70	ILP-30M2 (P.81) IDGB series (P.89) other, overdrive power supply, etc.	1	
IDD-K80□	DW B G	4.4		FF			
IDD-K120R	R	6.3		72		2	
IDD-K120□	DW B G	7.2		FF			
IDD-K150R	R	10.8		75		3	
IDD-K150□	DW B G	13		FF			
IDU-C80R	R	5.1		-		4	
IDU-C80□	DW B G	6.1		-			
IDU-C120R	R	9		-			5
IDU-C120□	DW B G	10.3		-			
IDU-C150R	R	15.6		-			6
IDU-C150□	DW B G	17.9		-			

*□ represents light color (DW=White, B=Blue, G=Green).
 *Top plates for IDD-K models are available with a circular hole or a square hole.
 *Input voltage is 12 V DC, but 24 V DC models are also available.
 *Please refer page 80 to confirm the details of DC 24V models.
 *Sizes other than those above are also available.
 *Models with a horizontal opposed ring are also available.
 *The SAG value indicates the maximum voltage setting for SAG power supplies. For details, see page 101.



Effect

Uniform illumination from every direction reduces surface reflections, which enables to acquire images with high S/N ratio.



With specularly reflected light component of Pseudo-coaxial light and dome effect, only the solder section can be highlighted.

