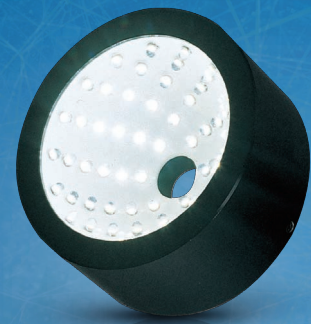


# Dome Light

## Direct Dome Light IDD series

Strong illumination from all directions



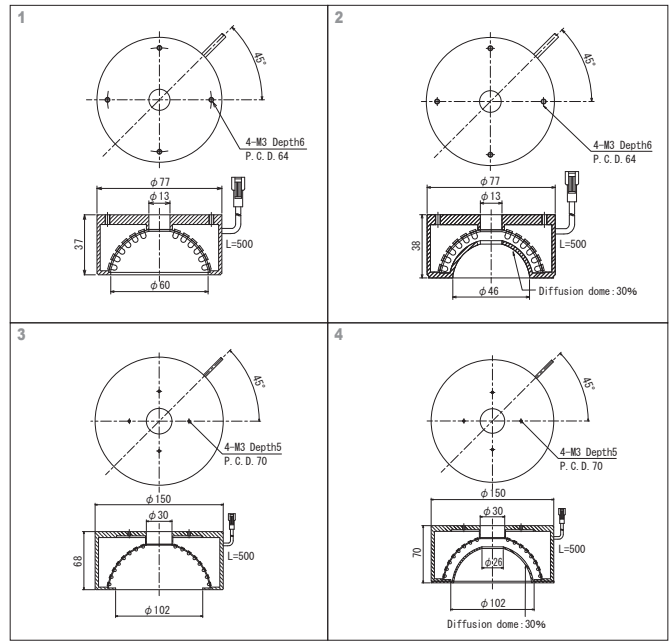
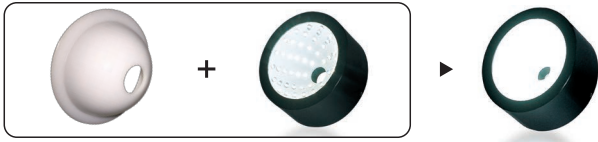
24V DC Models Available



Model	Light Color	Power Consumption (W)	Input Voltage	SAG (*)	Power Supply	Drawing
IDD-60/13□	R	2.7	DC12V	6F	ILP-30M2 (P.81) IDGB series (P.89) other, overdrive power supply, etc.	1
	DW	4		FF		
IDD-60/13□S(30%)	R	2.7		6F		2
	DW	4		FF		
IDD-120/30□	R	12.5		76		3
	DW	18.8		FF		
IDD-120/30□S(30%)	R	12.5		76		4
	DW	18.8		FF		

□ represents light color (R=Red, DW=White, B=Blue, G=Green).  
 \* A diffusion dome (transmissivity of 30%, 60%, or 80%) can be mounted.  
 \* Input voltage is 12 V DC, but 24 V DC models are also available.  
 \* Please refer page 80 to confirm the details of DC 24V models.  
 \* Sizes other than those above are also available.  
 \* The SAG value indicates the maximum voltage setting for SAG power supplies. For details, see page 101.

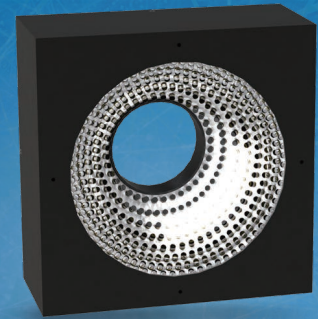
### Option (diffusion dome can be mounted)



# Dome Light

## 16CH-division Dome Light IDD-CB series

Multi-channel irradiation can emphasize scratches and dents that are difficult to detect.

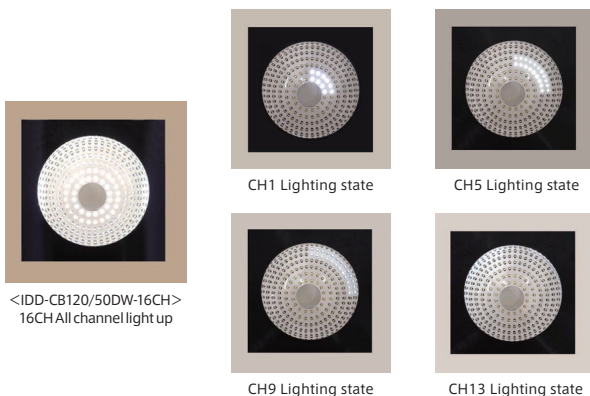


Model	Light Color	Power Consumption (W)	Input Voltage	SAG (*)	Power Supply	Drawing
IDD-CB60/13DW-16CH	DW	7.6	DC12V	FF	IDGB-30M8-TP/PI IJS-40M8-TP Both power supplies are used by each 2 of composition	1
IDD-CB120/30DW-16CH	DW	18		FF		2
IDD-CB120/50DW-16CH	DW	18.8		FF		3

\* The SAG value indicates the maximum voltage setting for SAG power supplies. For details, see page 101.

### Irradiation from 16 direction can emphasize various defects. No need to choose lights depending on object shape.

IDD-CB60/13DW-16CH has 3 stages, IDD-CB120 series 4 stages. It can irradiate from high to low angles.



<IDD-CB120/50DW-16CH>  
16CH All channel light up

