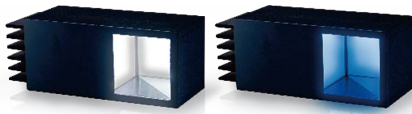


Ultra-high Luminance Coaxial Light IFVH series

Making high-speed inspection possible



24V DC Models Available



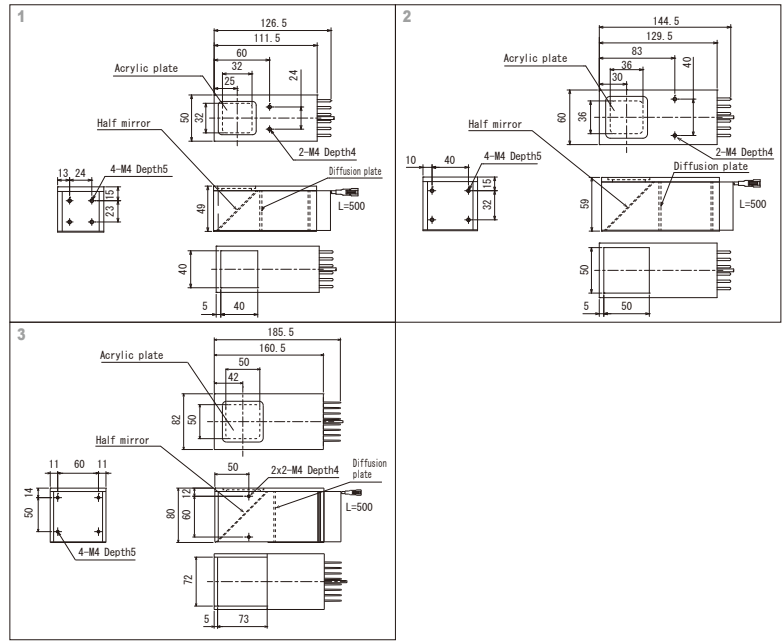
Model	Light Color	Power Consumption (W)	Input Voltage	SAG (*)	Power Supply	Drawing
IFVH-40□	DW	7.2	DC12V	C8	ILP-30M2 (P.81) IDGB series (P.89) other, overdrive power supply etc.	1
	B			C5		
IFVH-50□	DW	9.6		C9		2
	B			C7		
IFVH-70□	DW	23.1		D1		3
	B			CF		

*□ represents light color (DW=White, B=Blue).

*Input voltage is 12 V DC, but 24 V DC models are also available.

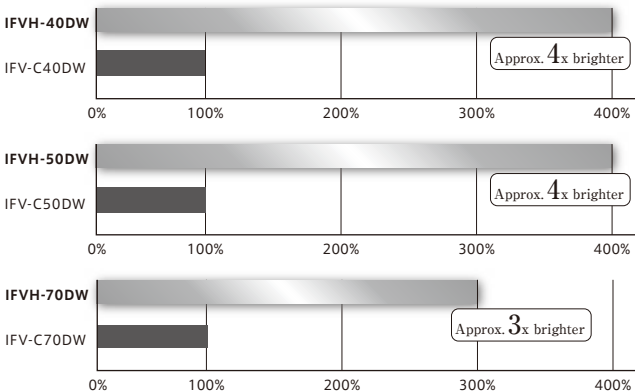
*Optional light control film, which increases the parallelism of the light, can also be attached. For details, see page 112.

*The SAG value indicates the maximum voltage setting for SAG power supplies. For details, see page 101.

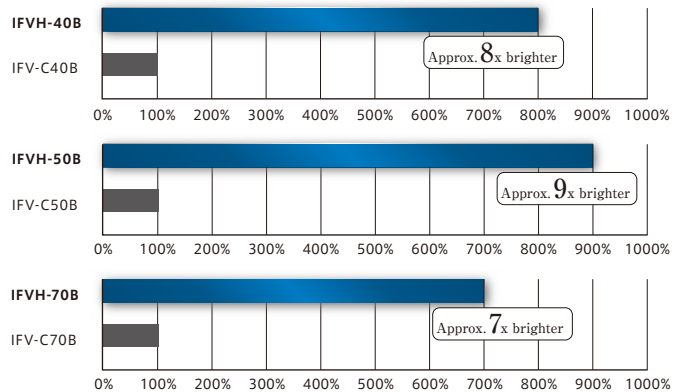


Brightness Comparison With Existing model (Reference Values)

White lighting (WD150mm)



Blue lighting (WD150mm)



Effect

Comparison using shutter speed of 1/10,000 (100% modulated lighting)

