

Mini Spot Light IHVA-SP series IHSL-SP series

Mini Spot Light that can be installed on various place.

Special Optical Design

Power LEDs



Model	Light Color	Input Voltage	Input Current	SAG (※)	Power Supply	Drawing
IHVA-SP30	R W B G	-	700mA	-	ILC-700M2-V(P.82) IDCA series(P.94)	1
IHSL-SP50	R W B G	DC12V	Power consumption 7W	FF	ILP-30M2(P.81)etc.	2

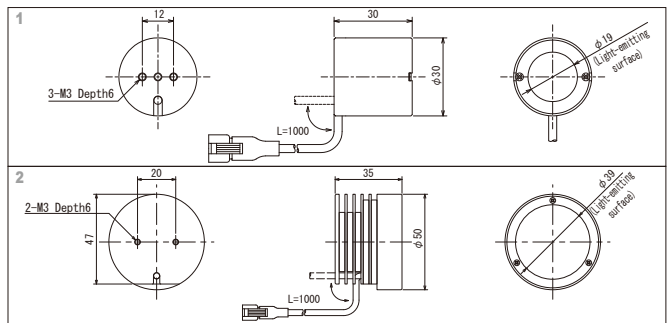
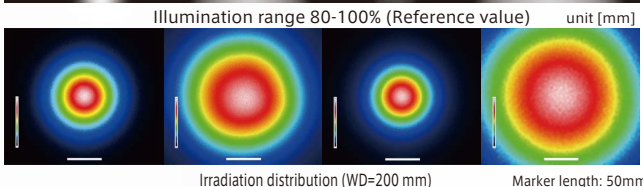
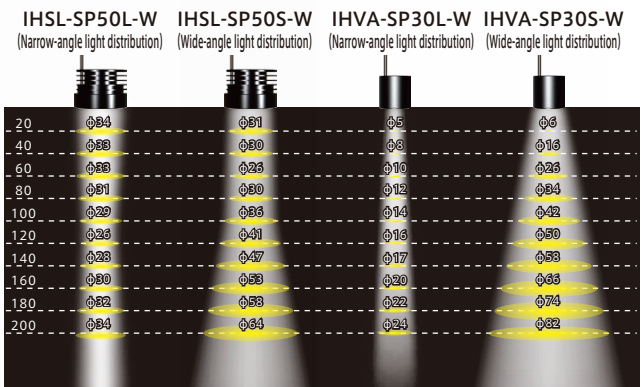
*IHVA-SP can be connected to a not applied power supply if you use the resistance BOX.
 ■ represents S(wide-distribution model) or L(narrow-distribution model).
 □ represents the color(R=Red, W=White, B=Blue, G=Green).
 *Input voltage is DC12V, but DC24V models are also available.
 *The SAG value indicates the maximum voltage setting for SAG power supplies. For details, see page 101.

Mini and light spot lighting

- IHVA-SP30
Compact and light! Size $\phi 30 \times 30$ mm(Height), Weight: 60g.
Suitable for scene when small, light and high power lightings required, eg. irradiation at the tip of a robot arm.
- IHSL-SP50
Compact and light-weight multi-lamp type spot illumination of 50 mm in diameter and 120 g in weight.
Suitable for an application of limited space such as irradiation to the end of robot arm in the medium/long distance.

Lineup 2 types: narrow-angle light type and wide-angle light type

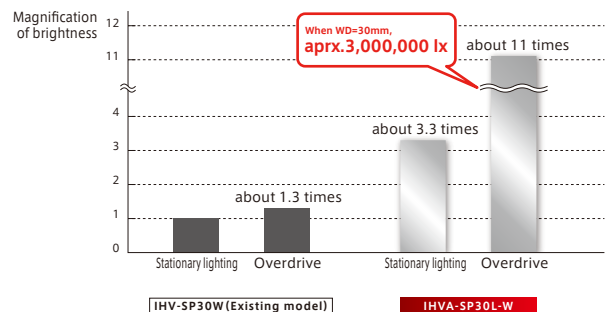
- IHVA-SP30 has two types, "L" type with narrow angle light distribution with the same distribution angle as IHV-SP30 and "S" type with wide angle distribution with wider irradiation range than IHV-SP30.



Significant increase of light intensity by overdrive ※Reference value

By using in combination with a Resistance Box for overdrive (RBOX-SAG), IHVA-SP30 enables emission with approx. 3.5 times brighter than the stationary light. Contributes much in the high-speed inspection as it can be a good replacement with a Xenon lamp.

Compared to IHVA-SP30, IHSL-SP50 enables emission with 1.4 times or more in brightness than normal light in narrow distribution L type, 1.8 times or more than the stationary light in wide distribution S type (Compared WD = 1,000 mm). By the overdrive emission, approx. 4 times of brightness compared to the normal light is available, ideal for the situation requiring higher illumination from the long distance.



Optional resistance BOX (Overdrive · Stationary lighting)



With resistance box, it can be used with non-applicable power supply (e.g. ILP and IDGB). Moreover, with resistance box for overdrive lightings, its brightness can get approx. 3.5 times higher. (Compared to stationary light emission) For details, see page 71.

Extension cable

- IHVA-SP30
Extendable by using I-CB-S ■HV3W, I-CB-S ■R-HV3W-C02 (robot cable)(P.106).
- IHSL-SP50
Extendable by using the extension cable for 12V DC (P.106).
- represents the lengths(m) of the extension cable.(■=1,2,3,4,5,10)

Effect

It can be installed to various environments, eg. inside of machine, tips of robot arms and stereoscopic microscopes. Suitable for longer distance with a work

