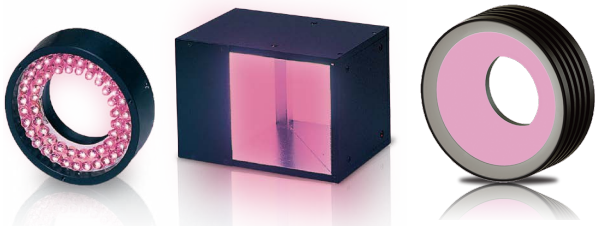


Infrared Light Infrared series

Suitable for transmissive inspection of packages, liquids, and print
Lineup includes a wide range of peak wavelengths other than 850 nm (780/810/890/940 nm)



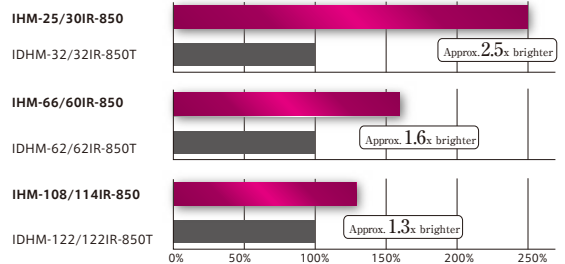
24V DC Models Available



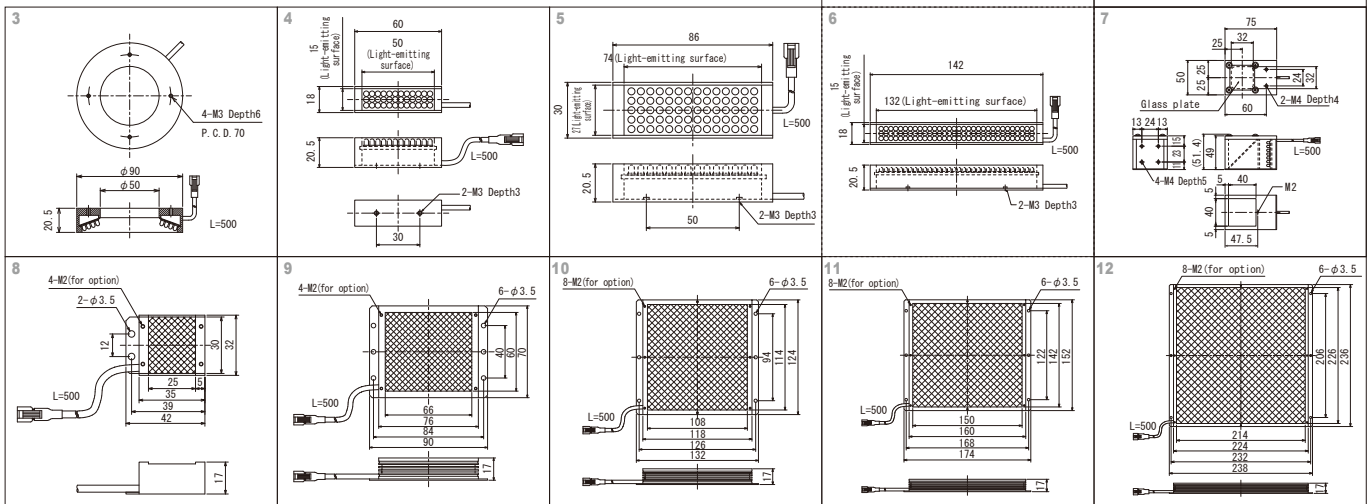
Model	Light Color	Power Consumption (W)	Input Voltage	SAG (*)	Power Supply	Drawing
IMAR-80IR-850	IR	7	DC12V	BC	ILP-30M2 (P.81) IDGB series (P.89) other, overdrive power supply, etc.	1
IMAR-80IR-950	IR	7		DA		2
IDR-50/28AIR-850	IR	2.2		FF		3
IDR-90/50AIR-850	IR	4.4		FF		4
IDBA-C50/15AIR-850	IR	1.5		FF		5
IDBA-C72/24AIR-850	IR	2.8		FF		6
IDBA-C132/15AIR-850	IR	3.9		FF		7
IFV-C40AIR-850	IR	2		FF		8
IHM-25/30IR-850	IR	2		E3		9
IHM-66/60IR-850	IR	7.5		FF		10
IHM-108/114IR-850	IR	14.7		FF		11
IHM-150/142IR-850	IR	24	E5	12		
IHM-214/226IR-850HV	IR	47	DC24V	-	ILP-60M2-24 (P.81) etc.	12

*In addition to the above models, infrared models are also available in the same shapes as visible light versions.
*Input voltage is 12 V DC, but 24 V DC models are also available.
*Please contact us for wavelengths other than above.
*The SAG value indicates the maximum voltage setting for SAG power supplies. For details, see page 101.

Comparison With Previous Models (Reference Values)



Longer wavelengths have small scattering ratios, and are suited for back-light application.
Scattering rate indicates how easy it is for light to change direction upon hitting the surface of the work or another object. The higher the scattering ratio, the easier it is for light to scatter on hitting a surface, so wavelengths with a higher scattering ratio are ideal for surface inspections. If, on the other hand, the scattering ratio is low, it is easier for light to pass through the surface of the work, therefore making it ideal for transmissive applications.



Effect

Liquid states can be recognized by IR transmission. Text and patterns can also be transmitted to facilitate visual inspection.

