

Analog PWM Power Supply IDPA series

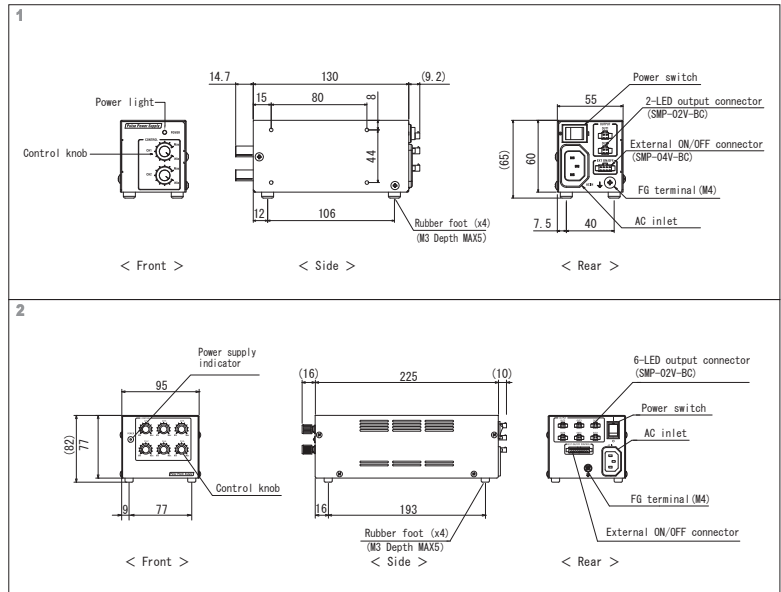
Simplified analog output control power supply
compact 30W (IDPA-30M2)



- ON/OFF control terminals as standard.
- An input voltage of 100 to 240V AC (Power cable supplied as standard is for 100V AC).
- Capable of controlling light in the range of 0 to 100% with a PWM frequency of approximately 80 kHz (Available with semi-fixed volume (H models)).

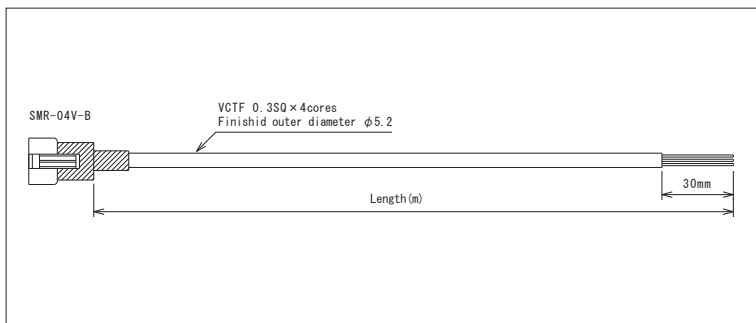
el	IDPA-30M2	IDPA-50M6	IDPA-100M6
Input Voltage	AC100~240V		
Operating Frequency	50/60Hz		
Rated Output	DC12V		
Capacity	30W	50W	100W
Channel numbers	2CH	6CH	6CH
Control Method	PWM approx. 80kHz		
External Control	External On/Off Control		
Drawing	1	2	

*The models above are knob-controlled volume models. Semi-fixed volume models that are adjusted using a screwdriver are also available. For these models, the end of the model name is H.
*For details on external controls, see page 104.



The knob shape of +H model is different.

External ON/OFF cable IC-CB-D※ (for IDPA-30M2)



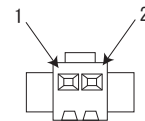
Model	Length(m)
IC-CB-D1	1
IC-CB-D2	2
IC-CB-D3	3
IC-CB-D4	4
IC-CB-D5	5
IC-CB-D7	7
IC-CB-D10	10

Pin No.	Wire Color
1	White
2	Green
3	Red
4	Black

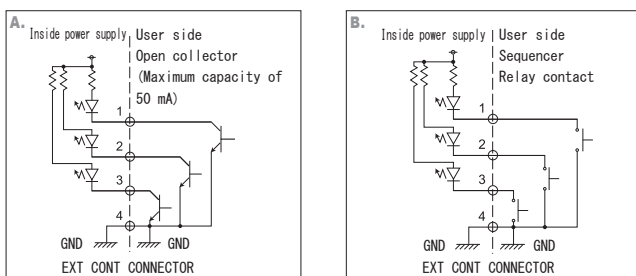
*Cables are also available in lengths other than those indicated above. *SM connectors are made by JST.

LED output connector SMP-02V-BC

Pin No.	Type of 12V Output
1	Output + (+12 V)
2	Output -



Example of external ON/OFF connection (IDPA-30M2)



- A current of about 10 mA is applied between connector pins 1, 2, and 3 and pin 4. Use an open-collector circuit with a capacity of about 50 mA to be on the safe side.
- When short-circuiting between pins 3 and 4 in the external ON/OFF control connector, the connector is switched to the external control (The LED light connected to the 2 channels is turned off).
- When short-circuiting between pins 1 and 4 in addition to the above, the LED light connected to LAMP 1 is turned on. In the same way, when short-circuiting between pins 2 and 4, the LED light connected to LAMP 2 is turned on (Switching of the external ON/OFF control is enabled on both channels at the same time).