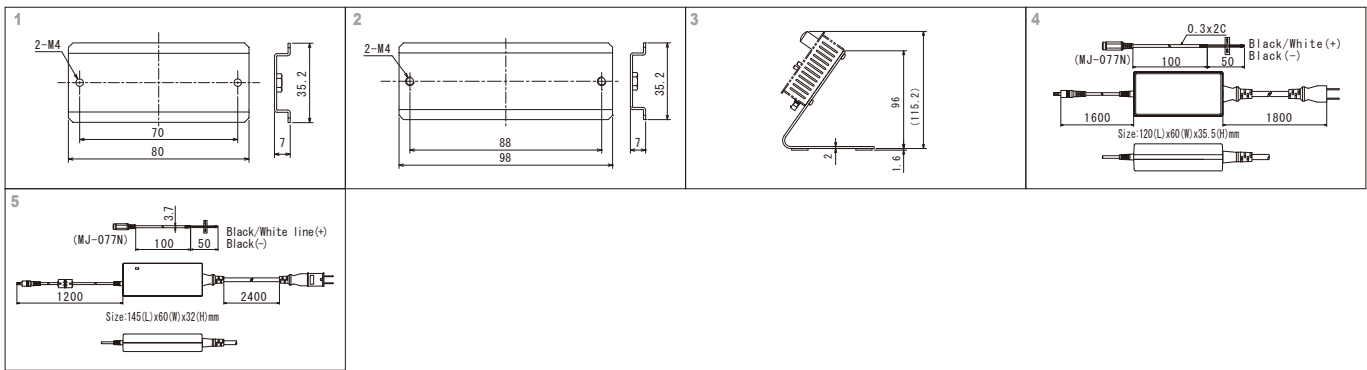


Optional Parts

Options for ILP-30M2/ ILP-60M2-24/ ILC-700 (350) M2-VI/ ILS/ ILV series



Model	Drawing	Overview
IBK-ILP	1	Panel Attachment for ILP series
IBK-ILC	2	Panel Attachment for ILC-700M2-VI/ILC-350M2-VI series
IHA-IL	3	The stand for ILP/ILC-700M2-VI/ILC-350M2-VI/ILS series
IC-ADJK-0.15	4	AC Adaptor (AC100V→DC24V) for ILP/ILC-700M2-VI/ILC-350M2-VI
IC-ADJK-0.15-ST	5	AC Adaptor (AC100V→DC24V) for ILS/ILV



Diffusion plate for Bar Light/IKBA, IKBA-LE, IKBA-LEH, IKBA-LEHW

Selectable the transmissivity



- This diffusion plate is specially designed for use with bar lights. It diffuses light and can reduce shadows on workpieces due to LED elements.
- Controls transmissivity (degree of diffusion). The standard model has transmissivity of 80%. Models with transmissivity of 90%·60% and 30% with the same thickness are also available.
 - ※ The standard diffusion plate of the DR series will have a transmissivity of 60%.
 - ※ Standard transmissivity of IDBA-LEH2, IDBA-LEH, IDBA-LE is 90%.
- Special custom sizes are also available. Bar lights are manufactured in different ways depending on whether or not a diffusion plate is used.

Model	Light Used
IKBA-11/14-80	IDBA-C11/14
IKBA-15/26-80	IDBA-C15/26
IKBA-25/25-80	IDBA-C25/25
IKBA-50/15-80	IDBA-C50/15
IKBA-27/34-80	IDBA-C27/34
IKBA-100/11-80	IDBA-C100/11

Model	Light Used
IKBA-100/15-80	IDBA-C100/15
IKBA-140/11-80	IDBA-C140/11
IKBA-132/15-80	IDBA-C132/15
IKBA-72/24-80	IDBA-C72/24
IKBA-50/50-80	IDBA-C50/50
IKBA-70/75-80	IDBA-C70/75

Model	Light Used
IKBA-100/100-80	IDBA-C100/100
IKBA-15/200-80	IDBA-C15/200
IKBA-185/30-80	IDBA-C185/30
IKBA-300/24-80	IDBA-C300/24
IKBA-Q360-80	IDBA-QC360
IKBA-Q690-80	IDBA-QC690

(Thickness : 2mm)

Model	Light Used
IKBA-LE75-80	IDBA-LE75□
IKBA-LE150-80	IDBA-LE150□
IKBA-LE225-80	IDBA-LE225□
IKBA-LE300-80	IDBA-LE300□
IKBA-LE375-80	IDBA-LE375□
IKBA-LE450-80	IDBA-LE450□
IKBA-LE600-80	IDBA-LE600□
IKBA-LE750-80	IDBA-LE750□
IKBA-LE900-80	IDBA-LE900□
IKBA-LE1050-80	IDBA-LE1050□
IKBA-LE1200-80	IDBA-LE1200□

Model	Light Used
IKBA-LEH75-80	IDBA-LEH75□
IKBA-LEH150-80	IDBA-LEH150□
IKBA-LEH225-80	IDBA-LEH225□
IKBA-LEH300-80	IDBA-LEH300□
IKBA-LEH450-80	IDBA-LEH450□
IKBA-LEH600-80	IDBA-LEH600□
IKBA-LEH750-80	IDBA-LEH750□

Model	Light Used
IKBA-LEH900-80	IDBA-LEH900□
IKBA-LEH1050-80	IDBA-LEH1050□
IKBA-LEH1200-80	IDBA-LEH1200□
IKBA-LEH1350-80	IDBA-LEH1350□
IKBA-LEH1500-80	IDBA-LEH1500□
IKBA-LEH1650-80	IDBA-LEH1650□
IKBA-LEH1800-80	IDBA-LEH1800□

Model	Light Used
IKBA-LEHW75-80	IDBA-LEHW75□2
IKBA-LEHW150-80	IDBA-LEHW150□2
IKBA-LEHW225-80	IDBA-LEHW225□2
IKBA-LEHW300-80	IDBA-LEHW300□2
IKBA-LEHW450-80	IDBA-LEHW450□2
IKBA-LEHW600-80	IDBA-LEHW600□2
IKBA-LEHW750-80	IDBA-LEHW750□2

Model	Light Used
IKBA-LEHW900-80	IDBA-LEHW900□2
IKBA-LEHW1050-80	IDBA-LEHW1050□2
IKBA-LEHW1200-80	IDBA-LEHW1200□2
IKBA-LEHW1350-80	IDBA-LEHW1350□2
IKBA-LEHW1500-80	IDBA-LEHW1500□2
IKBA-LEHW1650-80	IDBA-LEHW1650□2
IKBA-LEHW1800-80	IDBA-LEHW1800□2

※The above model is 80% transmittance. In the case of transmittance of 90% will be the end -90, in the case of transmittance of 60% will be the end -60, in the case of transmittance of 30% will be the end -30