

Optional parts for line light

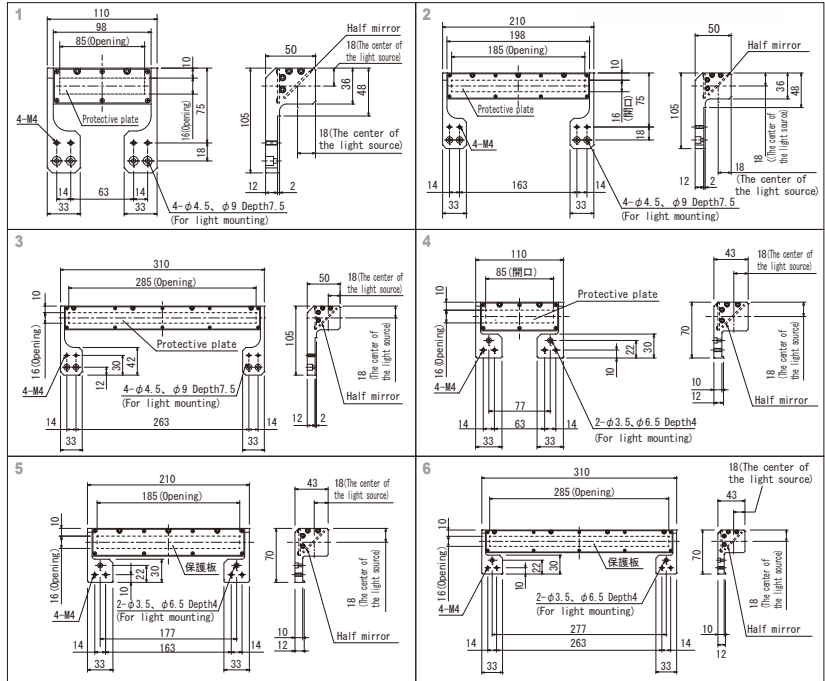
Half Mirror Box for IDBB-LSRA, IDBB-RE series



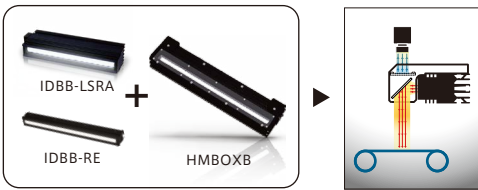
Optional coaxial units attachable to line light.

By combining with the half mirror box, it enables imaging with high contrast and high illuminance by the specular reflection or backlight. In addition, it is suitable for the detection of surface defects as well as specular reflection. It is available in 100mm increments up to a maximum length of 500mm according to the application.

Model	Light Used	Drawing
HMBOXB-LSR100	IDBB-LSRA100□	1
HMBOXB-LSR200	IDBB-LSRA200□	2
HMBOXB-LSR300	IDBB-LSRA300□	3
HMBOXB-LSR400	IDBB-LSRA400□	-
HMBOXB-LSR500	IDBB-LSRA500□	-
HMBOXB-RE100	IDBB-RE100□	4
HMBOXB-RE200	IDBB-RE200□	5
HMBOXB-RE300	IDBB-RE300□	6
HMBOXB-RE400	IDBB-RE400□	-
HMBOXB-RE500	IDBB-RE500□	-



It becomes coaxial lighting by combining with line light



Condensing lens for line light / ILBB·ILBBH

Model	Light Used
ILBB-100	IDBB-□100
ILBB-200	IDBB-□200
ILBB-300	IDBB-□300
ILBB-400	IDBB-□400
ILBB-500	IDBB-□500

Model	Light Used
ILBB-600	IDBB-□600
ILBB-700	IDBB-□700
ILBB-800	IDBB-□800
ILBB-900	IDBB-□900
ILBB-1000	IDBB-□1000

Model	Light Used
ILBBH-100	IDBB-LSRH100
ILBBH-200	IDBB-LSRH200
ILBBH-300	IDBB-LSRH300
ILBBH-400	IDBB-LSRH400
ILBBH-500	IDBB-LSRH500

Model	Light Used
ILBBH-600	IDBB-LSRH600
ILBBH-700	IDBB-LSRH700
ILBBH-800	IDBB-LSRH800
ILBBH-900	IDBB-LSRH900
ILBBH-1000	IDBB-LSRH1000

□ of the model table represents the series name of line lighting (LSRF=IDBB-LSRF, LSRA=IDBB-LSR, LSRC=IDBB-LSRC)

Diffusion plate for line light / IKBB

Controls transmittance (degree of diffusion).

There are transmittance of 90%, 80%, 60%, 30% in the same thickness.

Model	Light Used
IKBB-LSR100-80	IDBB-□100
IKBB-LSR200-80	IDBB-□200
IKBB-LSR300-80	IDBB-□300
IKBB-LSR400-80	IDBB-□400
IKBB-LSR500-80	IDBB-□500
IKBB-LSR600-80	IDBB-□600
IKBB-LSR700-80	IDBB-□700
IKBB-LSR800-80	IDBB-□800
IKBB-LSR900-80	IDBB-□900
IKBB-LSR1000-80	IDBB-□1000
IKBB-LSR1100-80	IDBB-□1100
IKBB-LSR1200-80	IDBB-□1200
IKBB-LSR1300-80	IDBB-□1300
IKBB-LSR1400-80	IDBB-□1400
IKBB-LSR1500-80	IDBB-□1500
IKBB-LSR1600-80	IDBB-□1600
IKBB-LSR1700-80	IDBB-□1700
IKBB-LSR1800-80	IDBB-□1800

Model	Light Used
IKBB-LSRH100-80	IDBB-LSRH100
IKBB-LSRH200-80	IDBB-LSRH200
IKBB-LSRH300-80	IDBB-LSRH300
IKBB-LSRH400-80	IDBB-LSRH400
IKBB-LSRH500-80	IDBB-LSRH500
IKBB-LSRH600-80	IDBB-LSRH600
IKBB-LSRH700-80	IDBB-LSRH700
IKBB-LSRH800-80	IDBB-LSRH800
IKBB-LSRH900-80	IDBB-LSRH900
IKBB-LSRH1000-80	IDBB-LSRH1000
IKBB-LSRH1100-80	IDBB-LSRH1100
IKBB-LSRH1200-80	IDBB-LSRH1200
IKBB-LSRH1300-80	IDBB-LSRH1300
IKBB-LSRH1400-80	IDBB-LSRH1400
IKBB-LSRH1500-80	IDBB-LSRH1500
IKBB-LSRH1600-80	IDBB-LSRH1600
IKBB-LSRH1700-80	IDBB-LSRH1700
IKBB-LSRH1800-80	IDBB-LSRH1800

Model	Light Used
IKBB-LSRS100-80	IDBB-LSRS100
IKBB-LSRS200-80	IDBB-LSRS200
IKBB-LSRS300-80	IDBB-LSRS300
IKBB-LSRS400-80	IDBB-LSRS400
IKBB-LSRS500-80	IDBB-LSRS500
IKBB-LSRS600-80	IDBB-LSRS600
IKBB-LSRS700-80	IDBB-LSRS700
IKBB-LSRS800-80	IDBB-LSRS800
IKBB-LSRS900-80	IDBB-LSRS900
IKBB-LSRS1000-80	IDBB-LSRS1000
IKBB-LSRS1100-80	IDBB-LSRS1100
IKBB-LSRS1200-80	IDBB-LSRS1200
IKBB-LSRS1300-80	IDBB-LSRS1300
IKBB-LSRS1400-80	IDBB-LSRS1400
IKBB-LSRS1500-80	IDBB-LSRS1500
IKBB-LSRS1600-80	IDBB-LSRS1600
IKBB-LSRS1700-80	IDBB-LSRS1700
IKBB-LSRS1800-80	IDBB-LSRS1800

□ of the model table represents the series name of line lighting (LSRF=IDBB-LSRF, LSRA=IDBB-LSR, LSRC=IDBB-LSRC)

*The above model is 80% transmittance. In the case of transmittance of 90% will be the end -90, in the case of transmittance of 60% will be the end -60, in the case of transmittance of 30% will be the end -30.