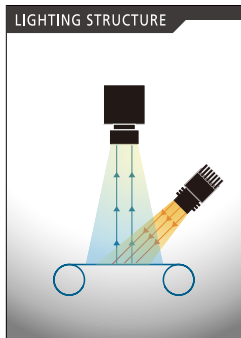
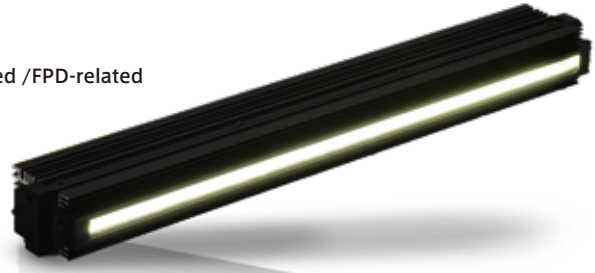


1,000,000 lx~Line Illumination product(Natural Air Cooling) [IDBB-LSRH Series]

Individual dimming adjustment of 100mm in length ,secured light distribution adjustment that matches the surface irregularities of the target object

Natural Air Cooling | Original Technology&Design | High-Power LEDs

- Applications**
- High-performance film/Paper, Textiles and Fiber-related /FPD-related /Steel/Non-ferrous metals/Metal/Glass etc. industries
 - ➔ Surface scratch/Dirt/Particle/MURA inspection.etc
 - Electronic components etc. industries
 - ➔ Pattern and scratch inspection of PCBs.etc

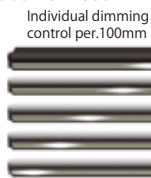


- Achieves 1,000,000lx~(WD50mm) using natural air cooling.
- Using the application of the applicable controller, individual control at 100mm intervals is possible from a PC.
- Long lengths up to 3,000mm are standardly available(per. 100mm)!

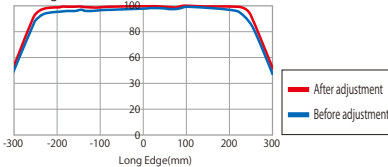
Capable Of Individual Control Per.100mm

Using the applicable controller IMC series, allows for individual control at 100mm intervals, enabling control tailored to the situation. Offset control function is also equipped, which allows for collective vertical movement while maintaining individual brightness settings.

IDBB-LSRH600W



Further uniform illumination is possible through individual control



Object: Film with minor surface scratches



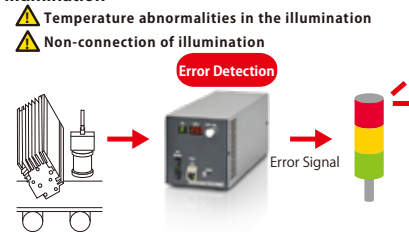
Used Illumination: IDBB-LSRH400W

Error Detection Function To Avoid Trouble In Advance!

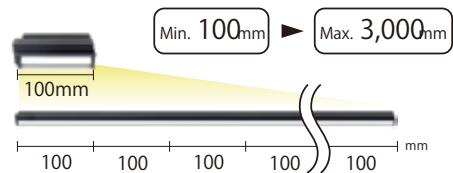
By connecting to the applicable controller IMC, it is possible to detect

- Temperature abnormalities in the illumination
- Non-connection of illumination

This enables quick troubleshooting through error signals from the controller, avoiding potential issues.

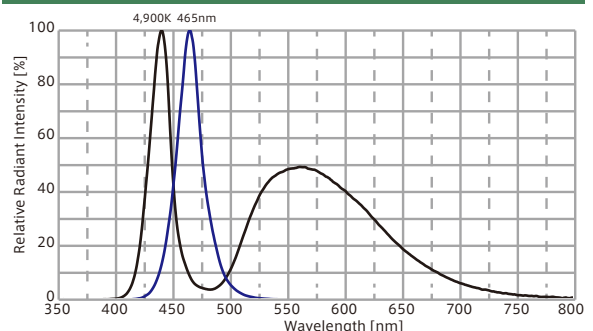


A Wide Range Of Size Variations Available



Long lengths up to 3,000mm are standardly available(per. 100mm)!

Optical Spectrum (Ref.Value)



- IDBB-LSRF
- IDBC-LSR
- IDBB-LSRH
- IDBB-LSRA
- IDBB-LSRS
- IDBC-LSRC
- IDBB-LSRC
- IDBC-RE
- IDBB-RE
- IDBA-RK
- IQDH-RE
- IMAR-D_8ch
- IDR-LA-8ch
- IDRA-T-8ch
- IMAR-D
- IMAR-CT D
- IHR-LE
- IHRB · IHRA
- IDR-F
- IDR-F33/16
- IDR
- IDR-LA
- IDRA-T
- IFR · IPR
- IDBA-HM
- IDBA-HMS
- IDBA-HMS-IR
- IDBA-FD
- IDBA-LEH2
- IDBA-LEH
- IDBA-LE
- IDBA-SE
- IDBA-SL
- IDBA
- IDBA-Q
- IFLA · IFLB
- IDHM
- IHMA
- IHMA-V
- IFPA
- IFD
- IFD-IR
- IHMA-40D
- IFPA-D
- IPOC
- IFHA
- IDDB-KH · IDDA-KH
- IDUB
- IDD
- IDD-CB
- IQD · IQDH
- IQDA-CB
- IFVA · IFVB
- IFVA-ST
- IFV
- IV-14 · IV-30
- IHV-20 · IHVE-21
- IHVA-SP · IHSL-SP
- IBF
- IHV-FX
- RBOX
- IDBB-CH
- IDHRA
- UV-CAN
- Infrared
- Infrared
- IMAR-RGB
- IDDA-KH-RGB
- RGB Full-color
- ISU
- ISS
- Introduction of Customization
- High-speed and high-precision color IC products
- ISC-24
- Image capture evaluation kit products
- IDMU
- ILP
- ILC
- ILV
- ILS
- IPPA_G · IRPA_G
- IPSA · IPPA
- IDGC
- IDPA
- IDCA
- IMC
- IWDV-24
- IWDV(S)-48
- ISC
- IJS
- IJS-30M2-TP/SS
- ILS-40M2-PI/SS
- SAG
- SLLUB
- LLUB
- IFIC

Model	Color	Power Consumption(W)	CH	Drive Method	Applicable Controller	Drawing
IDBB-LSRH100□	W B	30	1CH	Constant-current system	IMC-300M10-TP (P.215)	n=1
IDBB-LSRH200□	W B	60	2CH			n=2
IDBB-LSRH300□	W B	90	3CH			n=3
IDBB-LSRH400□	W B	120	4CH			n=4
IDBB-LSRH500□	W B	150	5CH			n=5
IDBB-LSRH600□	W B	180	6CH			n=6
IDBB-LSRH700□	W B	210	7CH			n=7
IDBB-LSRH800□	W B	240	8CH			n=8
IDBB-LSRH900□	W B	270	9CH			n=9
IDBB-LSRH1000□	W B	300	10CH			n=10
IDBB-LSRH1100□	W B	330	11CH		IMC-600M20-TP (P.215)	n=11
IDBB-LSRH1200□	W B	360	12CH			n=12
IDBB-LSRH1300□	W B	390	13CH			n=13
IDBB-LSRH1400□	W B	420	14CH			n=14
IDBB-LSRH1500□	W B	450	15CH			n=15
IDBB-LSRH1600□	W B	480	16CH			n=16
IDBB-LSRH1700□	W B	510	17CH			n=17
IDBB-LSRH1800□	W B	540	18CH			n=18
IDBB-LSRH1900□	W B	570	19CH			n=19
IDBB-LSRH2000□	W B	600	20CH			n=20
IDBB-LSRH2100□	W B	630	21CH		IMC-1000M30-TP (P.215)	n=21
IDBB-LSRH2200□	W B	660	22CH			n=22
IDBB-LSRH2300□	W B	690	23CH			n=23
IDBB-LSRH2400□	W B	720	24CH			n=24
IDBB-LSRH2500□	W B	750	25CH			n=25
IDBB-LSRH2600□	W B	780	26CH			n=26
IDBB-LSRH2700□	W B	810	27CH			n=27
IDBB-LSRH2800□	W B	840	28CH			n=28
IDBB-LSRH2900□	W B	870	29CH			n=29
IDBB-LSRH3000□	W B	900	30CH			n=30

- ★The emission color (W=White, B=Blue) is indicated by □ in the model table.
- ★Please refer to P.260 for the models of condenser lenses and diffusing plates.
- ★Condenser lens ILBH-□ and a diffuser plate IKBB-LSRH□ could be attached (Option) □ = n × 100mm.
- As a standard, the condenser lens is available 100 ~ 1,000mm and the diffuser plate is available 100 ~ 1,800mm. (Diffusion rates for diffuser plates -30%, 60%, 80%, and 90%).
- When ordering lighting, please specify whether you require the attachment of a condenser lens and a diffusion plate.
- ★Please note that the illumination cannot be directly connected to the controller, a connection cable of any length is necessary.

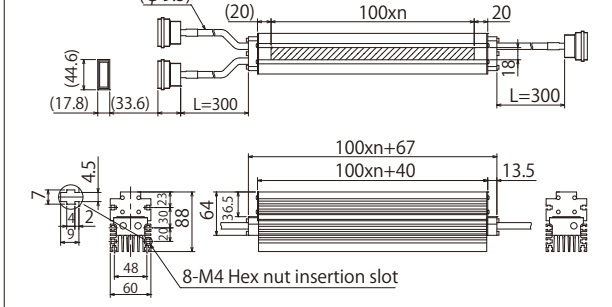
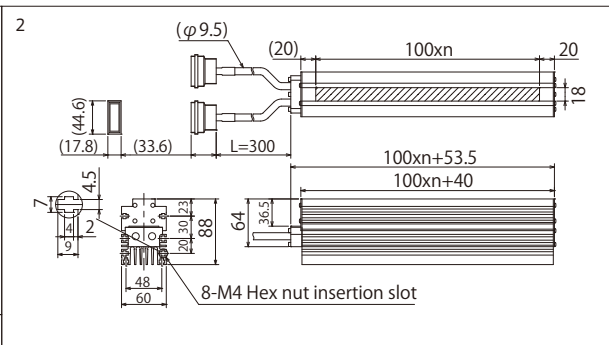
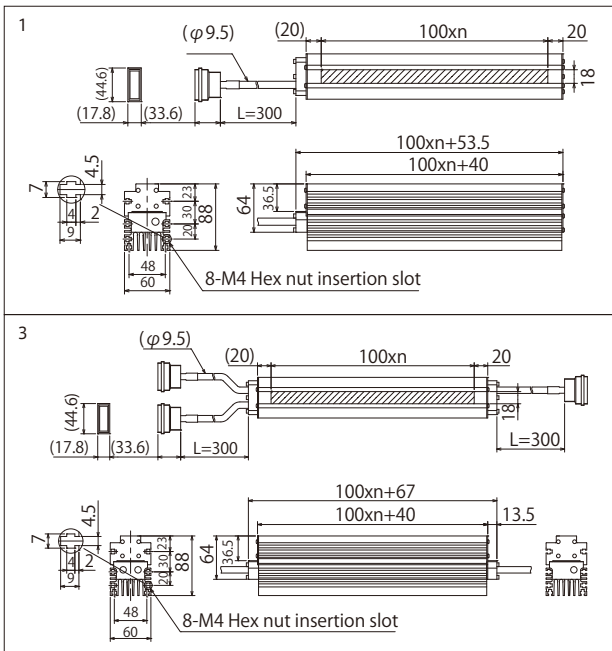
Connection Cable for IDBB-LSRH

Model	Length (m)
I-CB-S1-HDN	1
I-CB-S2-HDN	2
I-CB-S3-HDN	3
I-CB-S5-HDN	5
I-CB-S7-HDN	7
I-CB-S10-HDN	10

Applicable Digital Controller(Current Control)

IMC Series

Output control: 1,000 levels
External control: Ethernet communication, ON/OFF control
Please refer to P. 215 for more details.



- Line illumination products
 - IDBB-LSRF
 - IDBC-LSR
 - IDBB-LSRH
 - IDBB-LSRA
 - IDBB-LSRS
 - IDBC-LSRC
 - IDBB-LSRC
 - IDBC-RE
 - IDBB-RE
 - IDBA-RK
 - IQDH-RE
 - IMAR-D_8ch
 - IDR-LA-8ch
- Ring illumination products
 - IDRA-T-8ch
 - IMAR-D
 - IMAR-CT D
 - IHR-LE
 - IHRB · IHRA
 - IDR-F
 - IDR-F33/16
 - IDR
 - IDR-LA
 - IDRA-T
 - IFR · IPR
- Bar illumination products
 - IDBA-HM
 - IDBA-HMS
 - IDBA-HMS-IR
 - IDBA-FD
 - IDBA-LEH2
 - IDBA-LEH
 - IDBA-LE
 - IDBA-SE
 - IDBA-SL
 - IDBA
 - IDBA-Q
 - IFLA · IFLB
 - IDHM
 - IHMA
 - IHMA-V
 - IFPA
 - IFD
 - IFD-IR
 - IHMA-40D
 - IFPA-D
 - IPQC
 - IFHA
 - IDDB-KH · IDDA-KH
 - IDUB
 - IDD
 - IDD-CB
 - IQD · IQDH
 - IQDA-CB
 - IFVA · IFVB
 - IFVA-ST
 - IFV
 - IV-14 · IV-30
 - IHV-20 · IHVE-21
 - IHVA-SP · IHSL-SP
- Special illumination products
 - IBF
 - IHV-FX
 - RBOX
 - IDBB-CH
 - IDHRA
 - UV-CAN
 - Infrared
 - Infrared
 - IMAR-RGB
 - IDDA-KH-RGB
 - RGB Full-color
 - ISU
 - ISS
- Introduction of Customization
 - High speed synchronous imaging camera products
 - ISC-24
- Image capture evaluation kit products
 - IDMU
 - ILP
 - ILC
 - ILV
 - ILS
- Controller products
 - IPPA_G · IRPA_G
 - IPSA · IPPA
 - IDGC
 - IDPA
 - IDCA
 - IMC
 - IWDV-24
 - IWDV(S)-48
 - ISC
 - IJS
 - IJS-30M2-TP/SS
 - ILS-40M2-PI/SS
- Other illumination products
 - SAG
 - SLLUB
 - LLUB
 - IFC