

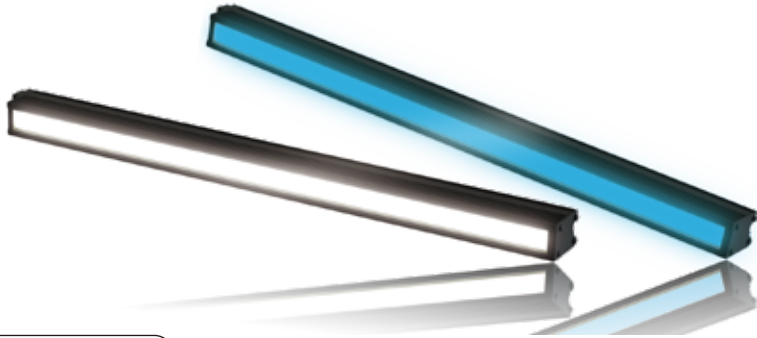
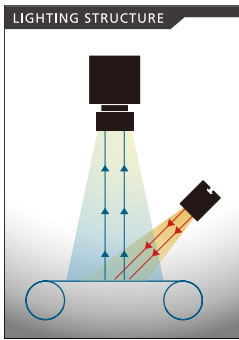
300,000 lx~Compact Line illumination product(Natural Air Cooling) [IDBB-LSRC Series]

Standard illumination with compact size, low power consumption and light-weight



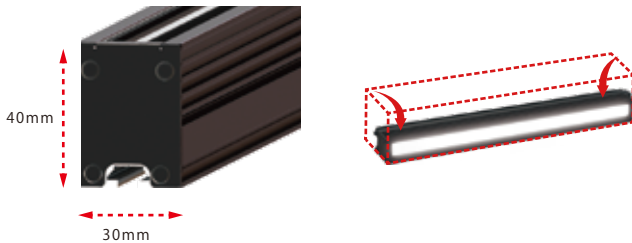
Natural Air Cooling Original Technology&Design Low Cost

- Applications**
- High-performance film/Paper, Textiles and Fiber-related / FPD-related / Steel/Non-ferrous metals/Metal/Glass etc. industries
 - ➔ Surface scratch/Dirt/Particle/MURA inspection.etc
 - Electronic components etc. industries
 - ➔ Pattern and scratch inspection of PCBs.etc



Standard Size Lineup 100 ~ 2,000mm (per.100mm)

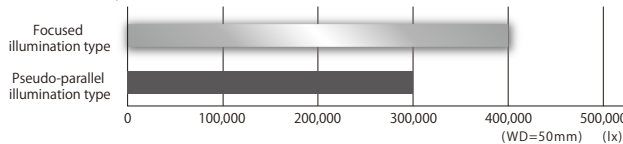
Achieved A Significant Size Reduction



Achieved size compression down to a short side width of 30mm and height of 40mm while ensuring a luminous width (short side) of 18mm. Compared to the 「IDBC-LSR series」, this product achieves a reduction in size of approximately 46%. Due to the compact design, it is possible to illuminate from angles closer to the camera's imaging axis.

Comparison of Illumination Intensity (WD=50mm)

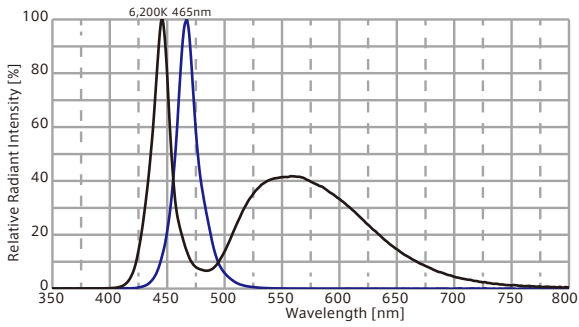
Selectable from the Pseudo-parallel illumination type as a standard, and focused illumination type by installing an optional condenser lens. By selecting the condensing light type, it is possible to increase the illumination intensity by approx. 33% compared to the pseudo-parallel illumination type.



IDBB-LSRC400W
(Ray Image)

- IDBB-LSRF
- IDBC-LSR
- IDBB-LSRH
- IDBB-LSRA
- IDBB-LSRS
- IDBC-LSRC
- IDBB-LSRC
- IDBC-RE
- IDBB-RE
- IDBA-RK
- IQDH-RE
- IMAR-D_8ch
- IDR-LA-8ch
- IDRA-T-8ch
- IMAR-D
- IMAR-CT D
- IHR-LE
- IHRB · IHRA
- IDR-F
- IDR-F33/16
- IDR
- IDR-LA
- IDRA-T
- IFR · IPR
- IDBA-HM
- IDBA-HMS
- IDBA-HMS-IR
- IDBA-FD
- IDBA-LEH2
- IDBA-LEH
- IDBA-LE
- IDBA-SE
- IDBA-SL
- IDBA
- IDBA-Q
- IFLA · IFLB
- IDHM
- IHMA
- IHMA-V
- IFPA
- IFD-IR
- IHMA-40D
- IFPA-D
- IPOC
- IFHA
- IDDB-KH · IDDA-KH
- IDUB
- IDD
- IDD-CB
- IQD · IQDH
- IQDA-CB
- IFVA · IFVB
- IFVA-ST
- IFV
- IV-14 · IV-30
- IHV-20 · IHVE-21
- IHVA-SP · IHSL-SP
- IBF
- IHV-FX
- RBOX
- IDBB-CH
- IDHRA
- UV-CAN
- Infrared
- Infrared
- IMAR-RGB
- IDDA-KH-RGB
- RGB Full-color
- ISU
- ISS
- Introduction of Customization
- High-speed and high-precision color IC products
- ISC-24
- Image capture evaluation kit products
- IDMU
- ILP
- ILC
- ILV
- ILS
- IPPA_G · IRPA_G
- IPSA · IPPA
- IDGC
- IDPA
- IDCA
- IMC
- IWDV-24
- IWDV(S)-48
- ISC
- IJS
- IJS-30M2-TP/SS
- ILS-40M2-PI/SS
- SAG
- SLLUB
- LLUB
- IFIC

Optical Spectrum(Ref.Value)



Model	Color	Power Consumption(W)	Input Voltage	Applicable Controller	Drawing	
IDBB-LSRC100□	W B	9.5	DC24V	IDMU-24 Series (P.193) ILP-60M2-24 (P.197) (n≤6) IDGC-24 Series (P.209)	1	
IDBB-LSRC200□	W B	19				n=1
IDBB-LSRC300□	W B	28.5				n=2
IDBB-LSRC400□	W B	38				n=3
IDBB-LSRC500□	W B	47.5				n=4
IDBB-LSRC600□	W B	57				n=5
IDBB-LSRC700□	W B	66.5		IWDV-100S-24 (P.217)	2	n=6
IDBB-LSRC800□	W B	76				n=7
IDBB-LSRC900□	W B	85.5				n=8
IDBB-LSRC1000□	W B	95				n=9
IDBB-LSRC1100□	W B	104.5		IWDV-300S-24 (P.217)	n=10	
IDBB-LSRC1200□	W B	114			n=11	
IDBB-LSRC1300□	W B	123.5			n=12	
IDBB-LSRC1400□	W B	133			n=13	
IDBB-LSRC1500□	W B	142.5			n=14	
IDBB-LSRC1600□	W B	152			n=15	
IDBB-LSRC1700□	W B	161.5			n=16	
IDBB-LSRC1800□	W B	171			n=17	
IDBB-LSRC1900□	W B	180.5			n=18	
IDBB-LSRC2000□	W B	190			n=19	
				n=20		

- ★The emission color (W=White, B=Blue) is indicated by □ in the model table.
- ★Please refer to P.260 for the models of condenser lenses and diffusing plates.
- ★Condenser lens [LBB-□] and a diffuser plate [KBB-LSR□] could be attached (Option) □ = n × 100mm.
- As a standard, the condenser lens is available 100 ~ 1,000mm and the diffuser plate is available 100 ~ 1,800mm. (Diffusion rates for diffuser plates -30%, 60%, 80%, and 90%). When ordering lighting, please specify whether you require the attachment of a condenser lens and a diffusion plate.
- ★Please note that the illumination which length is over 700mm, cannot be directly connected to the controller, a connection cable of any length is necessary.
- ★The I-CB-S▽24 connection cable is intended for illuminations with a length of under 700mm. Please refer to P.248 for details. The I-CB-S▽R-MCB connection cable is intended for illuminations with a length over 700mm. Please refer to P.249 for details.
- The length of the cable (m) will be indicated in the ▼, ▽ section. (▼=1,2,3,4,5,10) (▽=1,2,3,5,7,10)

Connection Cable For DC24V Line Illumination

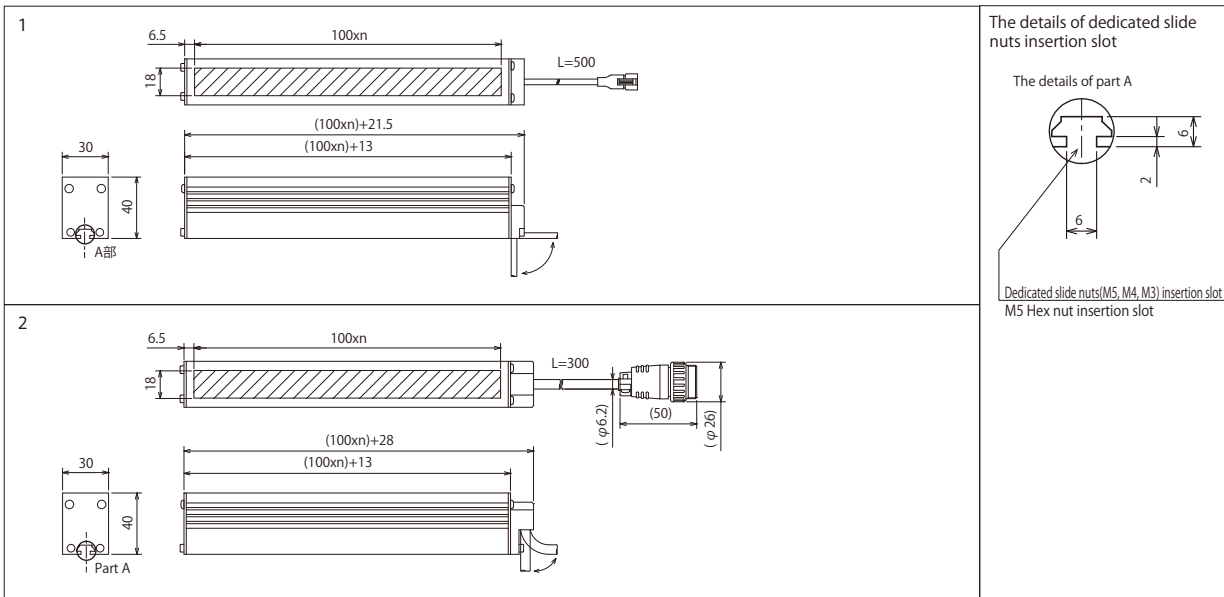
I-CB-S_24 Series
I-CB-S_R-MCB Series

When used for moving parts such as robots, please use the I-CB-S_R-24-C02 series or I-CB-S_R-MCB series, which manufactured with robust robot cable with high flexibility.

Applicable Digital Controller(Voltage control)

IWDV-24 Series

Output control: 1,000 levels
External control: Ethernet and 10-bit parallel communications, ON/OFF control
By connecting IWDV-300M1-24 to IWDV-600M2-24, it is possible to control up to a max. of 4 channels
Please refer to P. 217 for more details.



- Line illumination products
 - IDBB-LSRF
 - IDBC-LSR
 - IDBB-LSRH
 - IDBB-LSRA
 - IDBB-LSRS
 - IDBC-LSRC
 - IDBB-LSRC
 - IDBC-RE
 - IDBB-RE
 - IDBA-RK
 - IQDH-RE
 - IMAR-D_8ch
 - IDR-LA-8ch
 - IDRA-T-8ch
 - IMAR-D
 - IMAR-CT D
 - IHR-LE
 - IHRB · IHRA
 - IDR-F
 - IDR-F33/16
 - IDR
 - IDR-LA
 - IDRA-T
 - IFR · IPR
 - IDBA-HM
 - IDBA-HMS
 - IDBA-HMS-IR
 - IDBA-FD
 - IDBA-LEH2
 - IDBA-LEH
 - IDBA-LE
 - IDBA-SE
 - IDBA-SL
 - IDBA
 - IDBA-Q
 - IFLA · IFLB
 - IDHM
 - IHMA
 - IHMA-V
 - IFPA
 - IFD
 - IFD-IR
 - IHMA-40D
 - IFPA-D
 - IPQC
 - IFHA
 - IDDB-KH · IDDA-KH
 - IDUB
 - IDD
 - IDD-CB
 - IQD · IQDH
 - IQDA-CB
 - IFVA · IFVB
 - IFVA-ST
 - IFV
 - IV-14 · IV-30
 - IHV-20 · IHVE-21
 - IHVA-SP · IHSL-SP
 - IBF
 - IHV-FX
 - RBOX
 - IDBB-CH
 - IDHRA
 - UV-CAN
 - Infrared
 - Infrared
 - IMAR-RGB
 - IDDA-KH-RGB
 - RGB Full-color
 - ISU
 - ISS
- Special illumination products
 - Introduction of Customization
 - High speed synchronous imaging camera products
 - ISC-24
 - Image capture evaluation kit products
- Kit products
 - IDMU
 - ILP
 - ILC
 - ILV
 - ILS
- Controller products
 - IPPA_G · IRPA_G
 - IPSA · IPPA
 - IDGC
 - IDPA
 - IDCA
 - IMC
 - IWDV-24
 - IWDV(S)-48
 - ISC
 - IJS
 - IJS-30M2-TP/SS
 - ILS-40M2-PI/SS
 - SAG
 - SLLUB
 - LLUB
 - IFIC