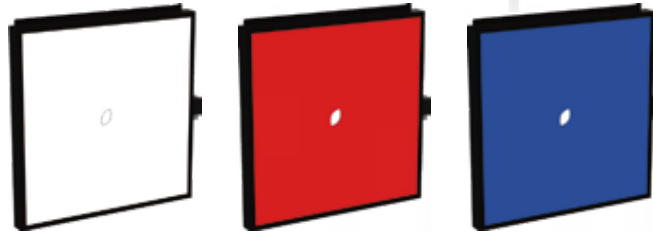
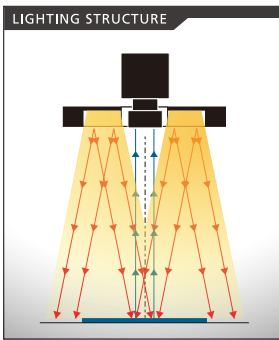


High Uniformity Large Area Illumination With Camera Hole [IFPA-D Series]

High uniformity large area illumination with camera hole
 $\Phi 35\text{mm}$, $\Phi 55\text{mm}$ two types of aperture sizes offered to match the lens size

Power LEDs

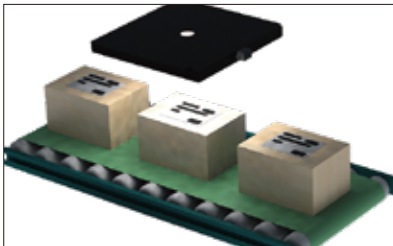
- Applications**
- Automotive parts/ on-board/ machinery parts industry etc.
 - Visual inspection of large-sized objects.
 - Printing/engraving/quantity inspection of large-sized objects.



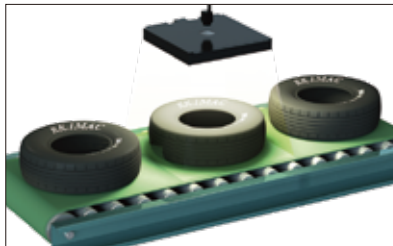
Standard Size Lineup · Standard release in 15 sizes from $100 \times 100 \sim 500 \times 500\text{mm}^2$ by 100mm increments.

Examples of Usage Scenarios

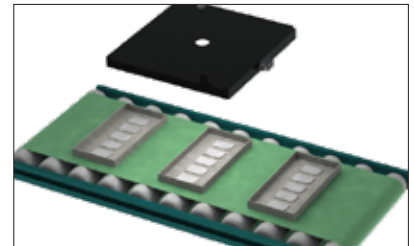
Ideal for visual inspection of large-sized objects.



Printing/engraving inspection of large-sized objects.



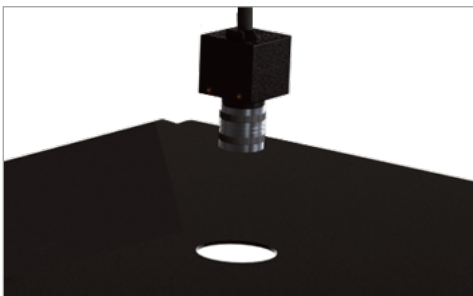
Visual inspection of large-sized objects.



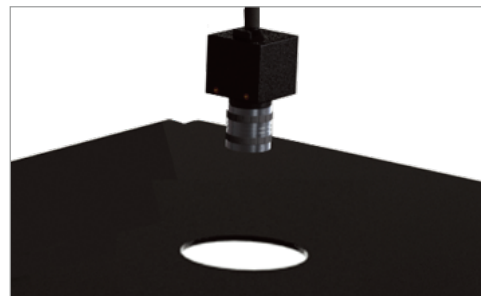
Quantity inspection of the objects in the tray

Two Types of Aperture Sizes Are Available

Two types of aperture sizes, $\Phi 35\text{mm}$ and $\Phi 55\text{mm}$, are available to match the lens size.



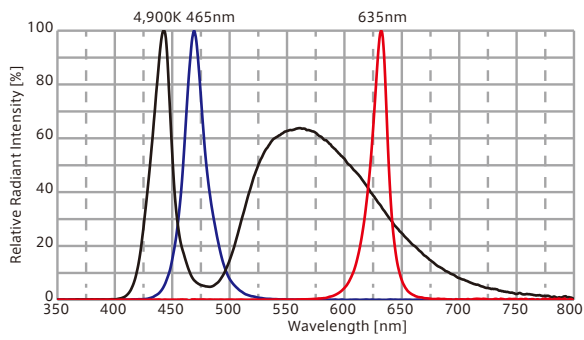
$\phi 35\text{mm}$



$\phi 55\text{mm}$

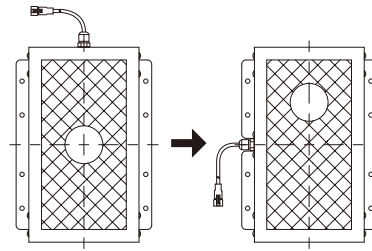
- IDBB-LSRF
- IDBC-LSR
- IDBB-LSRH
- IDBB-LSRA
- IDBB-LSRS
- IDBC-LSRC
- IDBB-LSRC
- IDBC-RE
- IDBB-RE
- IDBA-RK
- IQDH-RE
- IMAR-D_8ch
- IDR-LA-8ch
- IDRA-T-8ch
- IMAR-D
- IMAR-CT D
- IHR-LE
- IHRB · IHRA
- IDR-F
- IDR-F33/16
- IDR
- IDR-LA
- IDRA-T
- IFR · IPR
- IDBA-HM
- IDBA-HMS
- IDBA-HMS-IR
- IDBA-FD
- IDBA-LEH2
- IDBA-LEH
- IDBA-LE
- IDBA-SE
- IDBA-SL
- IDBA
- IDBA-Q
- IFLA · IFLB
- IDHM
- IHMA
- IHMA-V
- IFPA
- IFD-IR
- IHMA-40D
- IFPA-D
- IPOC
- IFHA
- IDDB-KH · IDDA-KH
- IDUB
- IDD
- IDD-CB
- IQD · IQDH
- IQDA-CB
- IFVA · IFVB
- IFVA-ST
- IFV
- IV-14 · IV-30
- IHV-20 · IHVE-21
- IHVA-SP · IHSL-SP
- IBF
- IHV-FX
- RBOX
- IDBB-CH
- IDHRA
- UV-CAN
- Infrared
- Infrared
- IMAR-RGB
- IDDA-KH-RGB
- RGB Full-color
- ISU
- ISS
- Introduction of Customization
- High speed synchronous video kit products
- ISC-24
- Image capture evaluation kit products
- IDMU
- ILP
- ILC
- ILV
- ILS
- IPPA_G · IRPA_G
- IPSA · IPPA
- IDGC
- IDPA
- IDCA
- IMC
- IWDV-24
- IWDV(S)-48
- ISC
- IJS
- IJS-30M2-TP/SS
- ILS-40M2-PI/SS
- SAG
- SLLUB
- LLUB
- IFIC

Optical Spectrum (Ref.Value)



Customization Is Also Available

- **Aperture Position:**The position of the aperture can be adjusted in increments of 50mm both vertically and horizontally from the center of the light-emitting surface.
- **Connector Position:**The position for connector placement can be adjusted to either the shorter side or the longer side.



Example:The connector placement for IFPA-200/200_HV-55D has been changed to the longer side, and the aperture has been moved 50mm from the center of the light-emitting surface as well

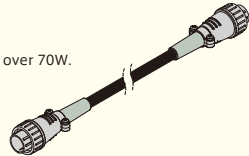
Model	Color	Power Consumption(W)	Input Voltage	Contoller Type	Applicable Controller	Drawing
IFPA-100/100□HV-(X1)D	R AW B	5	DC24V	①	【Contoller Type①】 IDMU-24 series (P.193) ILP-60M2-24 (P.197) IDGC-24 series (P.209) etc.	2
IFPA-200/100□HV-(X1)D	R AW B	15		①		1
IFPA-200/200□HV-(X1)D	R AW B	35		①		2
IFPA-300/100□HV-(X1)D	R AW B	25		①		1
IFPA-300/200□HV-(X1)D	R AW B	55		①	1	
IFPA-300/300□HV-(X1)D	R AW B	85		②	4	
IFPA-400/100□HV-(X1)D	R AW B	35		①	1	
IFPA-400/200□HV-(X1)D	R AW B	75		②	3	
IFPA-400/300□HV-(X1)D	R AW B	115		③	3	
IFPA-400/400□HV-(X1)D	R AW B	155		③	4	
IFPA-500/100□HV-(X1)D	R AW B	45		①	1	
IFPA-500/200□HV-(X1)D	R AW B	95		②	3	
IFPA-500/300□HV-(X1)D	R AW B	145		③	3	
IFPA-500/400□HV-(X1)D	R AW B	195		③	3	
IFPA-500/500□HV-(X1)D	R AW B	245		③	4	

★The emission color (AW=White,R=Red,B=Blue) is indicated by □ in the model table. ★The aperture diameter (35=φ35mm, 55=φ55mm) is indicated by (X1) in the model table.
 ★For the products with power consumption of less than 70W, use an extension cable for DC24V illumination on P.248.
 ★Please note that the products with power consumption over 70W, cannot be directly connected to the controller, a connection cable of any length is necessary.
 Please refer to P. 249(Connection Cable For DC24V Illumination) for details.

Connection Cable For DC24V Illumination

I-CB-S_R-MCB Series

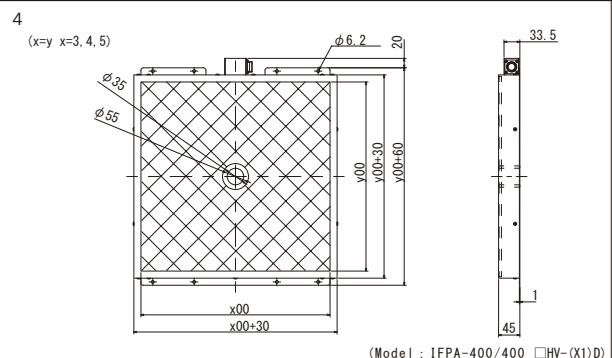
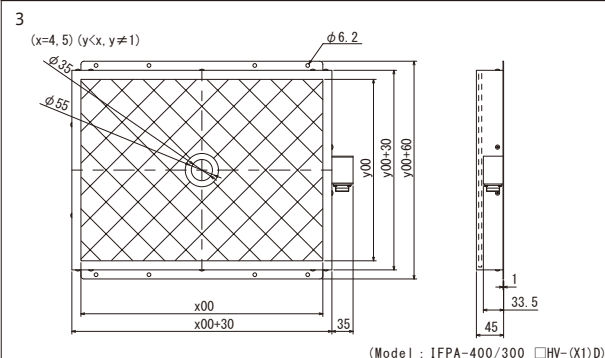
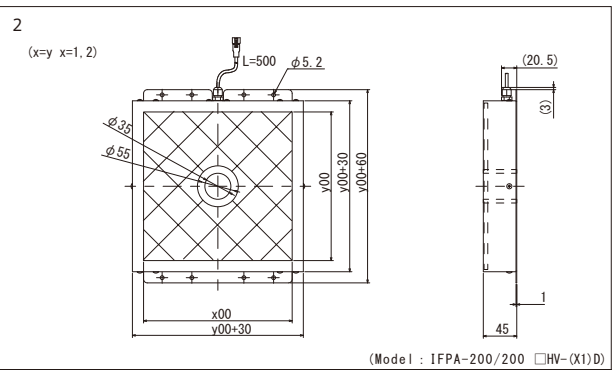
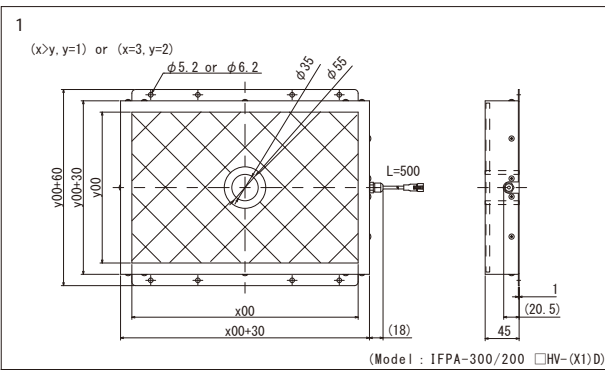
The I-CB-S_R-MCB Series is compatible for connecting DC24V illuminations with a power over 70W. For products with a power less than 70W, please use I-CB-S_R-MCBSM series for connection purposes.



Recommended Digital Controller(PWM Control)

IDMU Series

Output control: 1,000 Levels.
 Compact PWM controller with DC24V input voltage, ideal for installation inside panels.
 Expandable up to 40 channels by linking units.
 Equipped with programming and camera trigger output functions, making it versatile.



- Line illumination products
 - IDBB-LSRF
 - IDBC-LSR
 - IDBB-LSRH
 - IDBB-LSRA
 - IDBB-LSRS
 - IDBC-LSRC
 - IDBB-LSRC
 - IDBC-RE
 - IDBB-RE
 - IDBA-RK
 - IQDH-RE
 - IMAR-D_8ch
 - IDRA-LA-8ch
 - IDRA-T-8ch
- Ring illumination products
 - IMAR-D
 - IMAR-CT D
 - IHR-LE
 - IHRB · IHRA
 - IDR-F
 - IDR-F33/16
 - IDR
 - IDR-LA
 - IDRA-T
- Bar illumination products
 - IFR · IPR
 - IDBA-HM
 - IDBA-HMS
 - IDBA-HMS-IR
 - IDBA-FD
 - IDBA-LEH2
 - IDBA-LEH
 - IDBA-LE
 - IDBA-SE
 - IDBA-SL
 - IDBA
 - IDBA-Q
- Transmitted/area illumination products
 - IFLA · IFLB
 - IDHM
 - IHMA
 - IHMA-V
 - IFPA
 - IFD
 - IFD-IR
 - IHMA-40D
 - IFPA-D
- Dome illumination products
 - IPQC
 - IFHA
 - IDDB-KH · IDDA-KH
 - IDUB
 - IDD
 - IDD-CB
 - IQD · IQDH
 - IQDA-CB
 - IFVA · IFVB
 - IFVA-ST
 - IFV
 - IV-14 · IV-30
 - IHV-20 · IHVE-21
 - IHVA-SP · IHSL-SP
- Special illumination products
 - IBF
 - IHV-FX
 - RBOX
 - IDBB-CH
 - IDHRA
 - UV-CAN
 - Infrared
 - IRFared
 - IMAR-RGB
 - IDDA-KH-RGB
 - RGB Full-color
 - ISU
 - ISS
- Introduction of Customization
 - High speed synchronous imaging camera kit products
 - ISC-24
 - Image capture evaluation kit products
- Controller products
 - IDMU
 - ILP
 - ILC
 - ILV
 - ILS
 - IPPA_G · IRPA_G
 - IPSA · IPPA
 - IDGC
 - IDPA
 - IDCA
 - IMC
 - IWDV-24
 - IWDV(S)-48
 - ISC
 - IJS
 - IJS-30M2-TP/SS
 - ILS-40M2-PI/SS
 - SAG
 - SLLUB
 - LLUB
 - IFIC