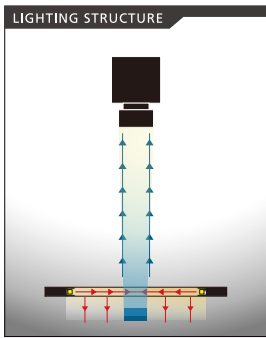


Square Diffuse Irradiate Dome Illumination [IFHA series]

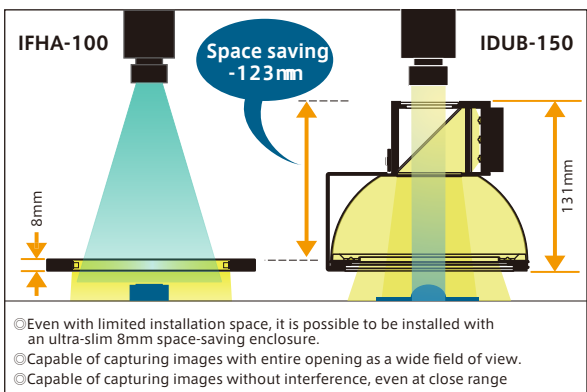
Designed to be thin and lightweight at only 8mm, achieves a brighter, clearer, and more space-saving uniform illumination
Ideal for capturing the entire target object uniformly and extensively

24V DC Models Available

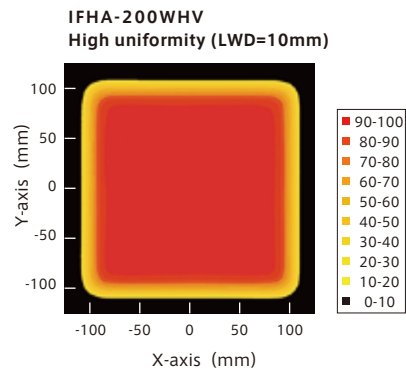
- Applications**
- Can /Aluminum manufacturing industry etc.
 - Inspection of dents/characters on the bottem etc.
 - Food/Pharmaceutical/Packaging industry etc.
 - Inspection of tablet chipping /sheet tearing /character etc.



Lightweight and thin, easy to install.
Capable of capturing images with a wide field of view.

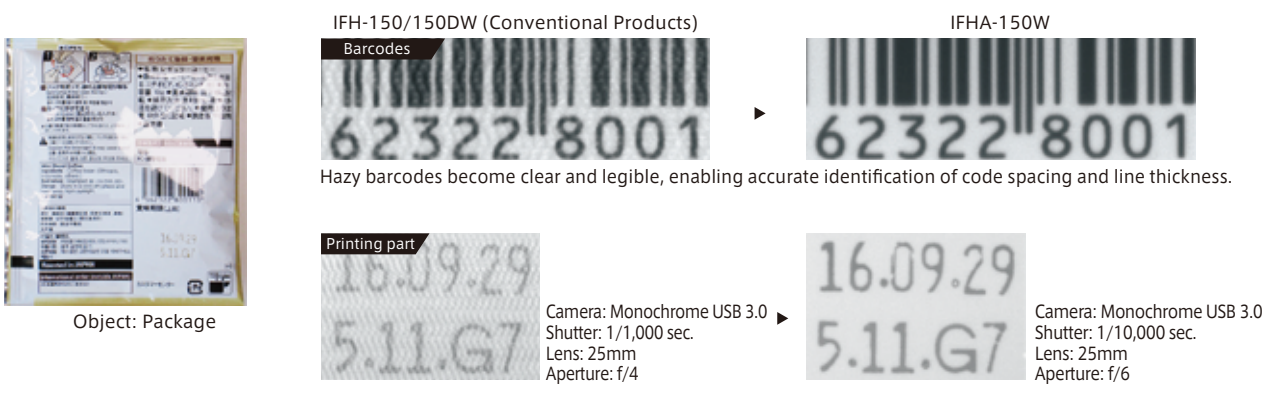


Emitting Surface Luminance Distribution (Ref.Value)



Significant Improvement In Image Clarity

Enhanced print visibility, allowing for precise identification without blurring or smudging.



- Line illumination products
- IDBB-LSRF
 - IDBC-LSR
 - IDBB-LSRH
 - IDBB-LSRA
 - IDBB-LSRS
 - IDBC-LSRC
 - IDBB-LSRC
 - IDBC-RE
 - IDBB-RE
 - IDBA-RK
 - IQDH-RE
 - IMAR-D_8ch
 - IDR-LA-8ch
 - IDRA-T-8ch
 - IMAR-D
 - IMAR-CT D
 - IHR-LE
 - IHRB · IHRA
 - IDR-F
 - IDR-F33/16
 - IDR
 - IDR-LA
 - IDRA-T
 - IFR · IPR
 - IDBA-HM
 - IDBA-HMS
 - IDBA-HMS-IR
 - IDBA-FD
 - IDBA-LEH2
 - IDBA-LEH
 - IDBA-LE
 - IDBA-SE
 - IDBA-SL
 - IDBA
 - IDBA-Q
 - IFLA · IFLB
 - IDHM
 - IHMA
 - IHMA-V
 - IFPA
 - IFD-IR
 - IHMA-40D
 - IFPA-D
 - IPOC
 - IFHA
 - IDDB-KH · IDDA-KH
 - IDUB
 - IDD
 - IDD-CB
 - IQD · IQDH
 - IQDA-CB
 - IFVA · IFVB
 - IFVA-ST
 - IFV
 - IV-14 · IV-30
 - IHV-20 · IHVE-21
 - IHVA-SP · IHSL-SP
 - IBF
 - IHV-FX
 - RBOX
 - IDBB-CH
 - IDHRA
 - UV-CAN
 - Infrared
 - Infrared
 - IMAR-RGB
 - IDDA-KH-RGB
 - RGB Full-color
 - ISU
 - ISS
- Special illumination products
- Introduction of Customization
 - High-speed/High-resolution color IC products
 - ISC-24
 - Image capture evaluation kit products
- Kit products
- IDMU
 - ILP
 - ILC
 - ILV
 - ILS
 - IPPA_G · IRPA_G
 - IPSA · IPPA
 - IDGC
 - IDPA
 - IDCA
 - IMC
 - IWDV-24
 - IWDV(S)-48
 - ISC
 - IJS
 - IJS-30M2-TP/SS
 - ILS-40M2-PI/SS
 - SAG
 - SLLUB
 - LLUB
 - IFIC
- Controller products

Line illumination products

- IDBB-LSRF
- IDBB-LSRH
- IDBB-LSRA
- IDBB-LSRS
- IDBB-LSRC
- IDBB-LSRC
- IDBB-RE
- IDBB-RE
- IDBA-RK
- IDH-RE
- IMAR-D_8ch
- IDR-LA-8ch
- IDRA-T-8ch
- IMAR-D
- IMAR-CT-D
- IHR-LE
- IHRB · IHRA
- IDR-F
- IDR-F33/16
- IDR
- IDR-LA
- IDRA-T
- IFR · IPR
- IDBA-HM
- IDBA-HMS
- IDBA-HMS-IR
- IDBA-FD
- IDBA-LEH2
- IDBA-LEH
- IDBA-LE
- IDBA-SE
- IDBA-SL
- IDBA
- IDBA-Q
- IFLA · IFLB
- IDHM
- IHMA
- IHMA-V
- IFPA
- IFD
- IFD-IR
- IHMA-40D
- IFPA-D
- IPQC
- IFHA
- IDDB-KH · IDDA-KH
- IDUB
- IDD
- IDD-CB
- IQD · IQDH
- IQDA-CB
- IFVA · IFVB
- IFVA-ST
- IFV
- IV-14 · IV-30
- IHV-20 · IHV-21
- IHVA-SP · IHSL-SP
- IBF
- IHV-FX
- RBOX
- IDBB-CH
- IDHRA
- UV-CAN
- Infrared
- Infrared
- IMAR-RGB
- IDDA-KH-RGB
- RGB Full-color
- ISU
- ISS

Special illumination products

Introduction of Customization

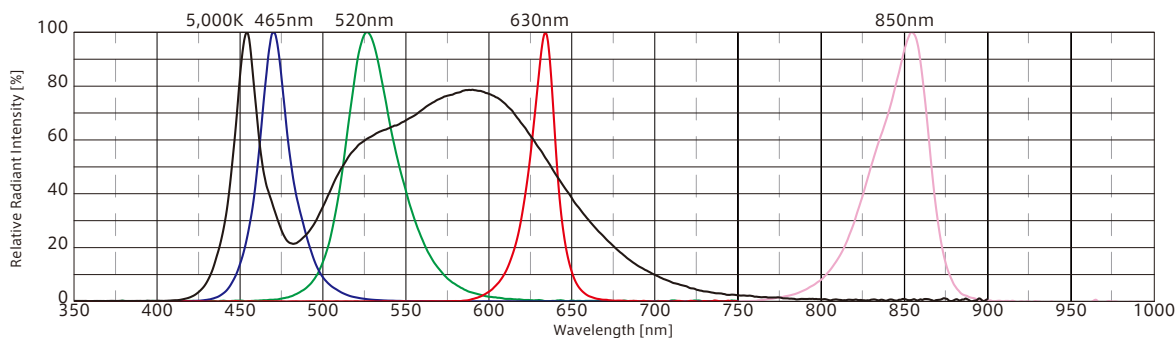
High-speed synchronous imaging special products

- ISC-24
- Image capture evaluation kit products

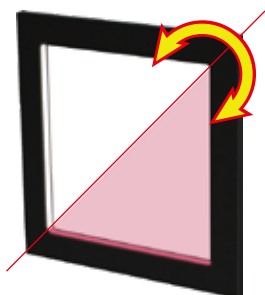
Controller products

- IDMU
- ILP
- ILC
- ILV
- ILS
- IPPA_G · IRPA_G
- IPSA · IPPA
- IDGC
- IDPA
- IDCA
- IMC
- IWDV-24
- IWDV(S)-48
- ISC
- IJS
- IUS-30M2-TP/SS
- ILS-40M2-PI/SS
- SAG
- SLLUB
- LLUB
- IFIC

Optical Spectrum (Ref.Value)

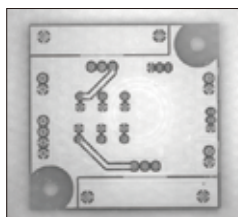


Capable Of Any Combination Of Desired Emission Colors Through Customization



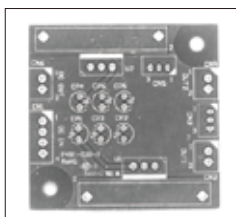
By selecting a customized configuration, it becomes possible to have illumination with various types of emission colors. For example, by having different emission colors on opposing sides, it becomes possible to illuminate the workpiece with light of different properties such as white light and infrared light without changing the position of the workpiece. This allows for clear differentiation in a short amount of time! Capable to compact the inspection line by fitting the space of two units (two colors) into one unit."

※ The intensity of the illumination for each color will decrease by combining colors



<Infrared Light Illumination >

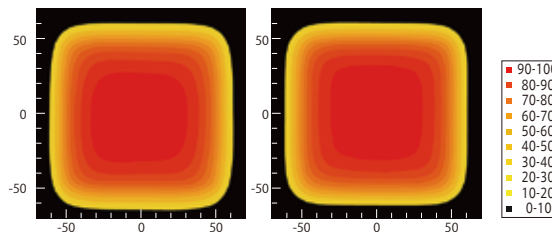
It enables inspection of electronic circuit patterns by transmitting through printing, resist layers, and other elements



<White Light Illumination >

It enables clear inspection of the silk-screen printing on electronic circuit boards.

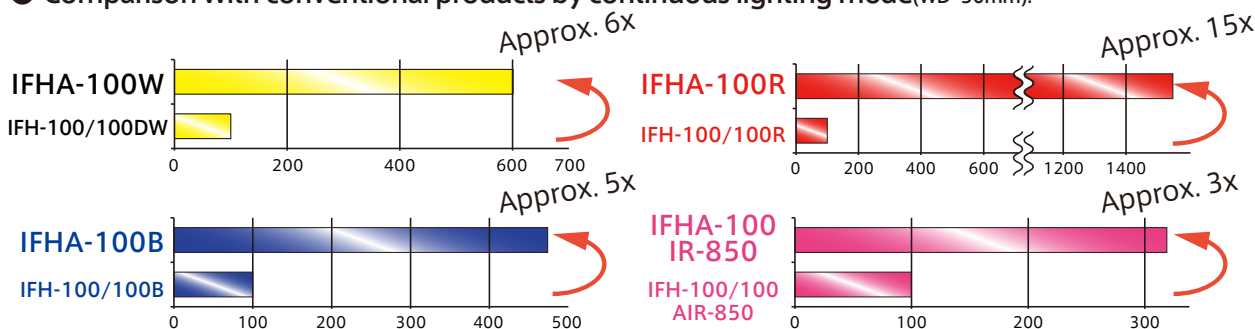
<IFHA-100WIR: White and Infrared Combination> <IFHA-100W>
White monochromatic illumination Illuminance Distribution(LWD=10mm) White illumination Illuminance Distribution(LWD=10mm)



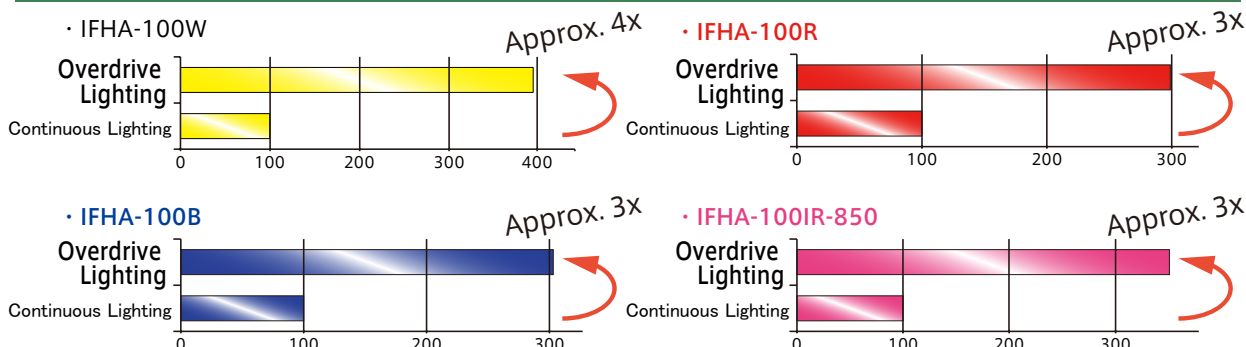
The comparison of illuminance distribution shows the high uniformity even with a two-color combination configuration.

Approx. 6 times higher illuminance (in white)! Supports high-speed inspection with fast shutter

● Comparison with conventional products by continuous lighting mode(WD=50mm).



Achieve an additional approx. 4 times higher illuminance (in white) by overdrive lighting!



Imaging Example

Quantity inspection in a plastic bag



Object: Screws in a polyethylene bag



Ring illumination:IMAR-130DW (LWD=100mm)

Halation occurs on the surface of the plastic bag, making it unsuitable for accurate quantity inspection.



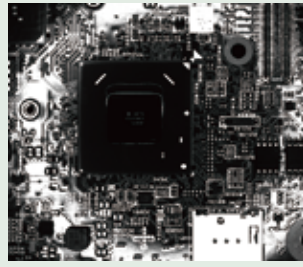
Square Dome:IFHA-150W (LWD=10mm)

Halation on the surface of the plastic bag reduced, making it suitable for accurate quantity inspection.

Inspection of silk-screen printing on the PCB's

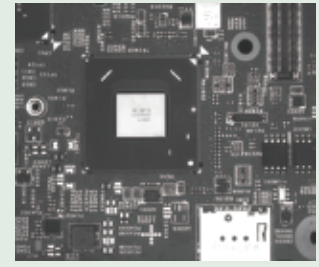


Object: PCB's



Ring illumination:IMAR-130DW (LWD=100mm)

In areas close to the light-emitting section, halation occurs, while the central part with the camera hole becomes darker.



Square Dome:IFHA-150W (LWD=10mm)

Capable of uniformly illuminating the entire field of view, allowing clear recognition of silk printed characters and lines.

Printing inspection of a recess



Object: Paper container (bottom)



Ring illumination:IMAR-130DW (LWD=60mm)

Shadow is reflected around the printed area, making it difficult to distinguish the characters.



Square Dome:IFHA-150W (LWD=10mm)

Shadow reflections around the printed area are minimized, making it easy to distinguish the characters.

Printing inspection of high reflectance film



Object: Coated aluminum film



Ring illumination:IMAR-130DW (LWD=50mm)

Uneven color occurs on the printed area due to halation on the surface of the film.



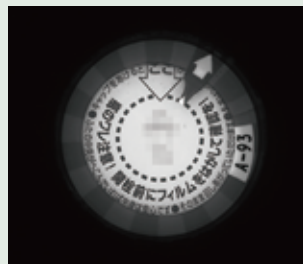
Square Dome:IFHA-150W (LWD=20mm)

No uneven color occurs due to halation, allowing clear recognition of printed characters and text on the outer perimeter.

Inspection of characters, scratches, dust, etc. on/under the printed surface



Object: Shrink packaging of a metal lid



Square Dome:IFHA-150WIR (White Lighting/ LWD=20mm)

Reflection from coatings and shrink wraps is minimized, allowing for clear recognition of the print.



Square Dome:IFHA-150WIR (IR850nm/ LWD=20mm)

Enable recognition of characters below the printed surface as well as detection of scratches, dirt, and other imperfections.

- Line illumination products
 - IDBB-LSRF
 - IDBC-LSR
 - IDBA-LSRH
 - IDBB-LSRA
 - IDBB-LSRS
 - IDBC-LSRC
 - IDBB-LSRC
 - IDBC-RE
 - IDBB-RE
 - IDBA-RK
 - IQDH-RE
 - IMAR-D_8ch
 - IDR-LA-8ch
 - IDRA-T-8ch
 - IMAR-D
 - IMAR-CT D
 - IHR-LE
 - IHRB-IHRA
 - IDR-F
 - IDR-F33/16
 - IDR
 - IDR-LA
 - IDRA-T
 - IFR-IPR
 - IDBA-HM
 - IDBA-HMS
 - IDBA-HMS-IR
 - IDBA-FD
 - IDBA-LEH2
 - IDBA-LEH
 - IDBA-LE
 - IDBA-SE
 - IDBA-SL
 - IDBA
 - IDBA-Q
 - IFLA-IFLB
 - IDHM
 - IHMA
 - IHMA-V
 - IFPA
 - IFD-IR
 - IHMA-40D
 - IFPA-D
 - IPOC
 - IFHA
 - IDDB-KH-IDDA-KH
 - IDUB
 - IDD
 - IDD-CB
 - IQD-IQDH
 - IQDA-CB
 - IFVA-IFVB
 - IFVA-ST
 - IFV
- Ring illumination products
 - IV-14-IV-30
 - IHV-20-IHVE-21
- Bar illumination products
 - IHVA-SP-IHSL-SP
 - IBF
 - IHV-FX
 - RBOX
 - IDBB-CH
 - IDHRA
 - UV-CAN
- Transmitted/area illumination products
 - Infrared
 - Infrared
 - IMAR-RGB
 - IDDA-KH-RGB
 - RGB Full-color
 - ISU
 - ISS
- Special illumination products
 - Introduction of Customization
 - High speed synchronous image capture kit products
 - ISC-24
 - Image capture evaluation kit products
- Kit products
 - IDMU
 - ILP
 - ILC
 - ILV
 - ILS
 - IPPA_G-IRPA_G
 - IPSA-IPPA
 - IDGC
 - IDPA
 - IDCA
 - IMC
 - IWDV-24
 - IWDV(S)-48
 - ISC
 - IJS
 - IJS-30M2-TP/SS
 - ILS-40M2-PI/SS
 - SAG
 - SLLUB
 - LLUB
 - IFIC
- Controller products
 -

Model	Color	Power Consumption(W)	Input Voltage	SAG (※)	Applicable Controller Type	Applicable Controller	Drawing
IFHA-25□	R	2.1	DC12V	89	①	【Contoller Type①】 IDMU Series (P.193) ILP-30M2 (P.197) IDGC Series (P.209) and the others Strobe/Overdrive Controllers, etc.	1
	W	2.4		83			
	B			73			
	G			6F			
IFHA-50□	IR(850)	1.2		A3			
	R	9.5		D0			
	W			CB			
	B			AD			
IFHA-75□	G	8.5		AB			
	IR(850)	6		FF			
	R	14	DC				
	W		E0				
B	B6						
IFHA-100□	G	11	B4				
	IR(850)	9	FF				
	R	22	C3				
	W		BC				
B	A5						
IFHA-150□	G	15	BE				
	IR(850)	12.5	FF				
	R	30	DA				
	W		B8				
B	B6						
IFHA-200□HV	G	20	CA				
	IR(850)	17	FF				
	R	33	-				
	W		DC24V	-			
B	②						
IFHA-200IR-850	G	27	-				
	IR(850)	20.5	DC12V	FF	①	【Contoller Type②】 IDMU-24 series (P.193) ILP-60M2-24 (P.197) IDGC-24 series (P.209) etc.	6
IFHA-300□HV	R	46	DC24V	-	②		
	W						
	B						
IFHA-300IRHV-850	G	40	DC12V	FF	①		
	IR(850)	38					
IFHA-200/100□	R	20	DC12V	FF	①		
	W			FF			
	B			F1			
	G			CE			
IFHA-300/150□HV	IR(850)	17.5	DC24V	-	②		
	R						
	W						
	B						
IFHA-300/150IRHV-850	G	30	DC24V	-	②		
	IR(850)	26					
	R						
	W						
IFHA-400/200□HV	B	44	DC24V	-	②		
	G						
	IR(850)					40	
	R						

★The emission color (W=White,R=Red, G=Green, B=Blue, IR-850) is indicated by □ in the model table.
 ★DC24V products are also available. (Except IFHA-25IR-850 and IFHA-75IR-850.)Please feel free to contact us for more information.
 ※SAG: The maximum instantaneous upper limit output voltage setting value in the controller for the corresponding illumination when used in combination with the Overdrive controller.

Extension Cable For DC12V Illumination

I-CB-S Series


When used for moving parts such as robots, please use the I-CB-S_R-C02 series, which manufactured with robust robot cable with high flexibility. I-CB-S_24 series and I-CB-S_R-24-C02 series are compatible for DC24V model.



Recommended Digital Controller(PWM Control)

IDMU Series

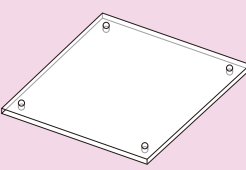
Output control: 1,000 Levels.
Compact PWM controller with DC24V input voltage, ideal for installation inside panels.
Expandable up to 40 channels by linking units.
Equipped with programming and camera trigger output functions, making it versatile.



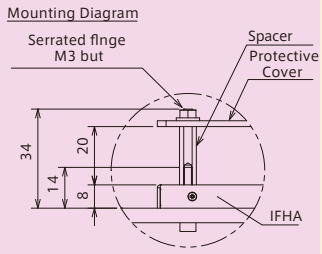
Protective Cover for IFHA

IKFHA-AR series

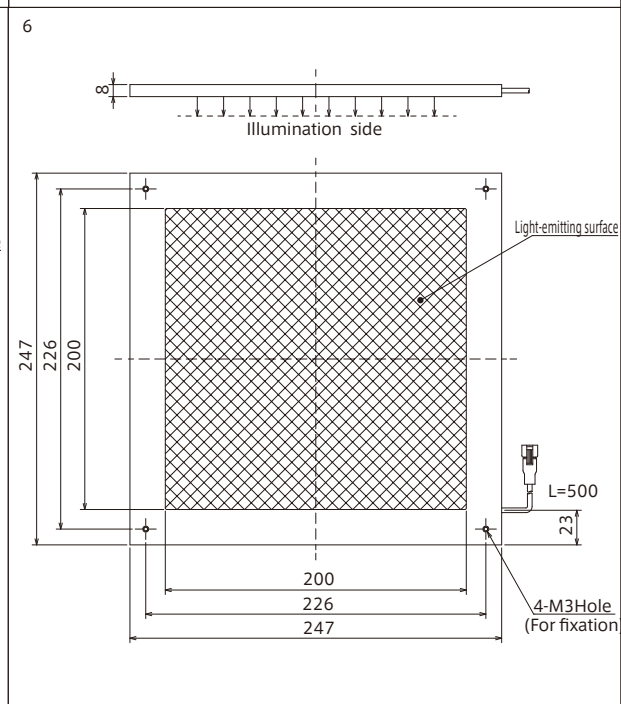
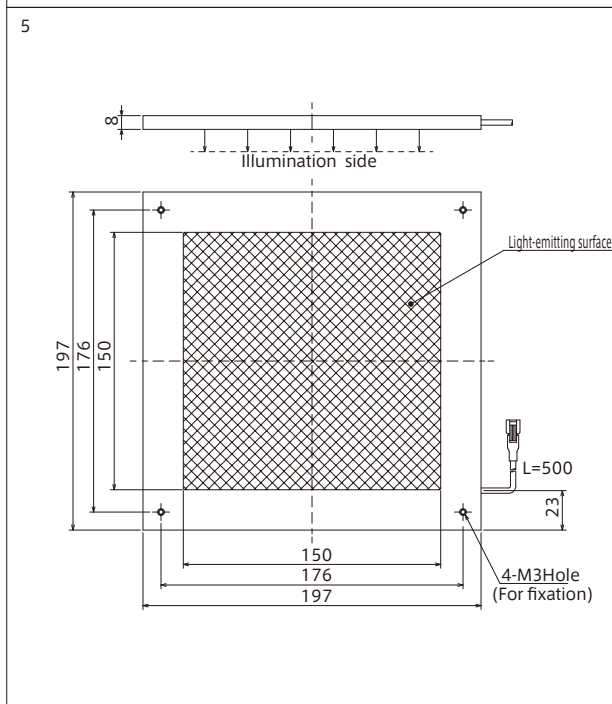
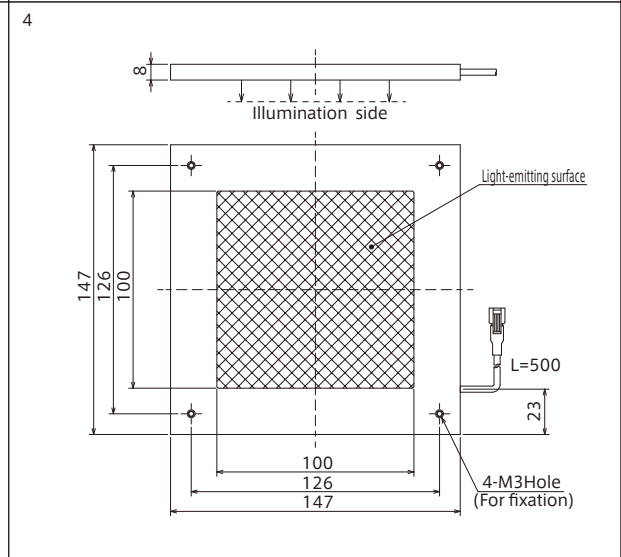
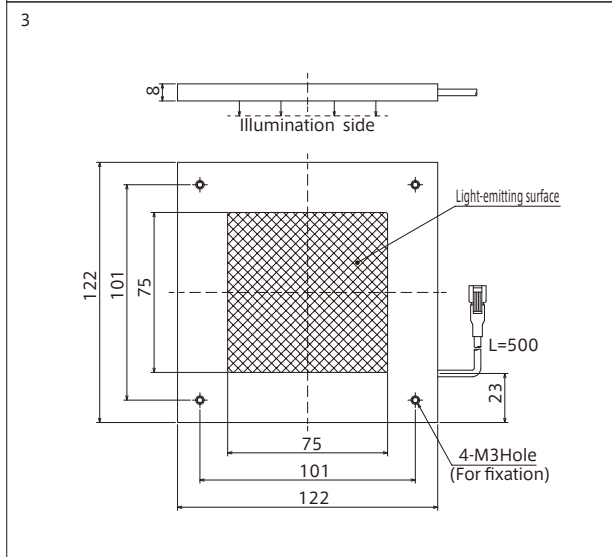
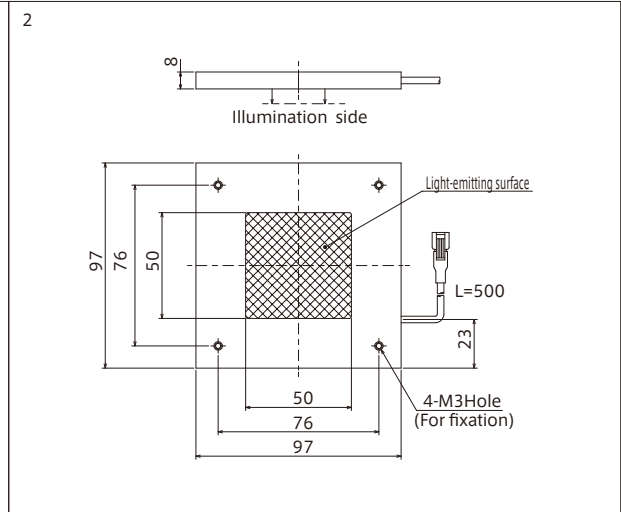
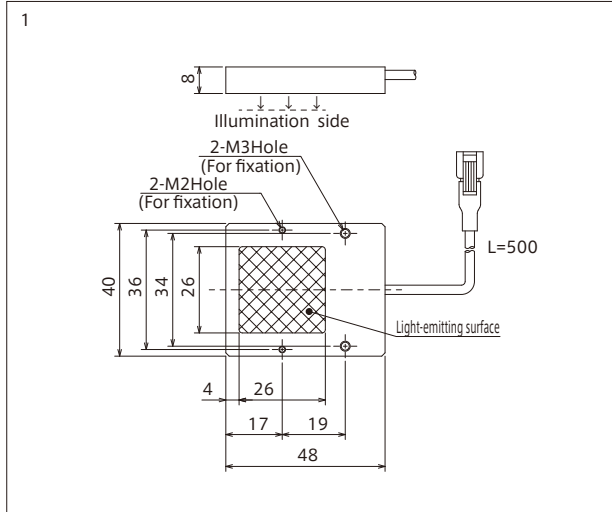
This is a protective cover designed to protect the non-illuminated sides of IFHA. It features AR multi-layer coating on both sides, and additionally, a water-repellent layer coating on one side, applied over the AR coating.



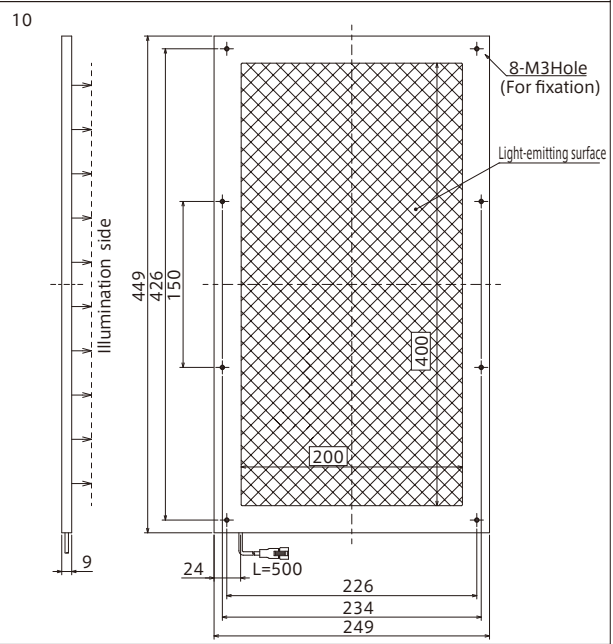
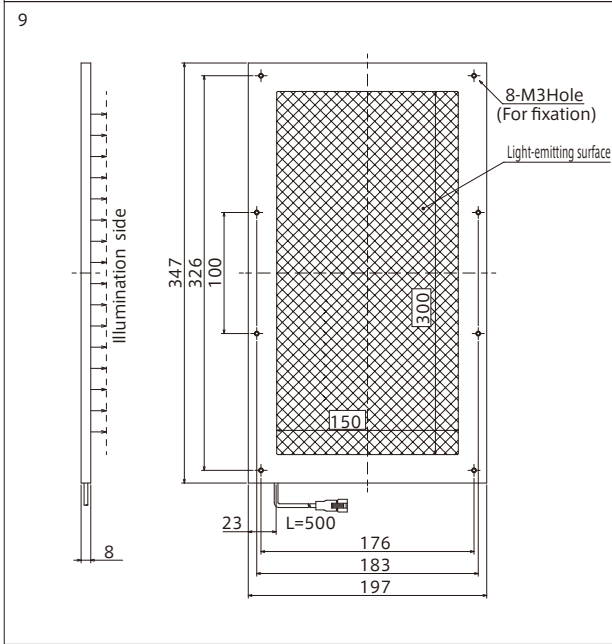
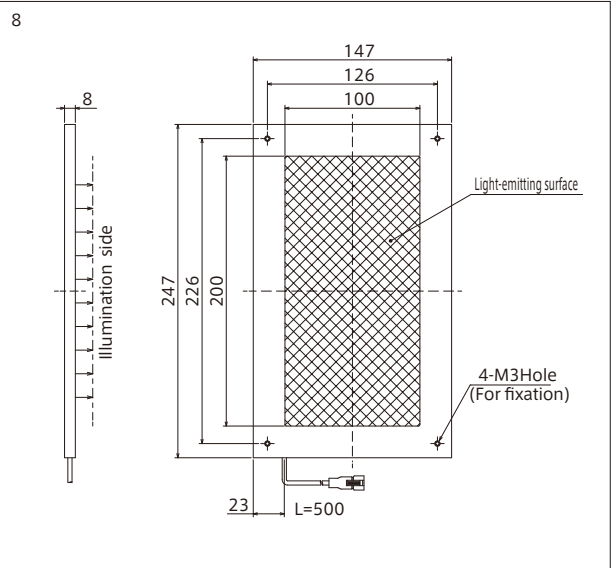
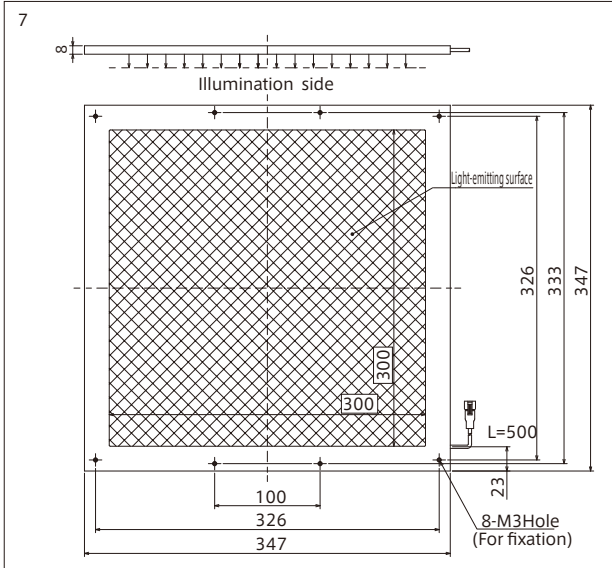
Model	Applicable Illumination	Model	Applicable Illumination
IKFHA-50-AR	IFHA-50□	IKFHA-200/100-AR	IFHA-200/100□
IKFHA-75-AR	IFHA-75□	IKFHA-300/150-AR	IFHA-300/150□HV
IKFHA-100-AR	IFHA-100□	IKFHA-400/200-AR	IFHA-400/200□HV
IKFHA-150-AR	IFHA-150□		
IKFHA-200-AR	IFHA-200□HV		
IKFHA-300-AR	IFHA-300□HV		



- Line illumination products
 - IDBB-LSRF
 - IDBC-LSR
 - IDBB-LSRH
 - IDBB-LSRA
 - IDBB-LSRS
 - IDBC-LSRC
 - IDBB-LSRC
 - IDBC-RE
 - IDBB-RE
 - IDBA-RK
 - IQDH-RE
 - IMAR-D_8ch
 - IDR-LA-8ch
 - IDRA-T-8ch
 - IMAR-D
 - IMAR-CT D
 - IHR-LE
 - IHRB · IHRA
 - IDR-F
 - IDR-F33/16
 - IDR
 - IDR-LA
 - IDRA-T
 - IFR · IPR
 - IDBA-HM
- Ring illumination products
 - IDBA-HMS
 - IDBA-HMS-IR
 - IDBA-FD
 - IDBA-LEH2
 - IDBA-LEH
 - IDBA-LE
 - IDBA-SE
 - IDBA-SL
 - IDBA
 - IDBA-Q
 - IFLA · IFLB
 - IDHM
 - IHMA
 - IHMA-V
 - IFPA
 - IFD
 - IFD-IR
 - IHMA-40D
 - IFPA-D
- Bar illumination products
 - IPQC
 - IFHA
 - IDDB-KH · IDDA-KH
 - IDUB
 - IDD
 - IDD-CB
 - IQD · IQDH
 - IQDA-CB
 - IFVA · IFVB
 - IFVA-ST
 - IFV
 - IV-14 · IV-30
 - IHV-20 · IHVE-21
 - IHVA-SP · IHSL-SP
- Special illumination products
 - IBF
 - IHV-FX
 - RBOX
 - IDBB-CH
 - IDHRA
 - UV-CAN
 - Infrared
 - Infrared
 - IMAR-RGB
 - IDDA-KH-RGB
 - RGB Full-color
 - ISU
 - ISS
- Introduction of Customization
 - High speed synchronous imaging camera products
 - ISC-24
 - Image capture evaluation kit products
- for products
 - IDMU
 - ILP
 - ILC
 - ILV
 - ILS
- Controller products
 - IPPA_G · IRPA_G
 - IPSA · IPPA
 - IDGC
 - IDPA
 - IDCA
 - IMC
 - IWDV-24
 - IWDV(S)-48
 - ISC
 - IJS
 - IUS-30M2-TP/SS
 - ILS-40M2-PI/SS
 - SAG
 - SLLUB
 - LLUB
 - IFC



- Line illumination products
- IDBB-LSRF
 - IDBC-LSR
 - IDBB-LSRH
 - IDBB-LSRA
 - IDBB-LSRS
 - IDBC-LSRC
 - IDBB-LSRC
 - IDBC-RE
 - IDBB-RE
 - IDBA-RK
 - IQDH-RE
 - IMAR-D_8ch
 - IDR-LA-8ch
 - IDRA-T-8ch
 - IMAR-D
 - IMAR-CT D
 - IHR-LE
 - IHRB · IHRA
 - IDR-F
 - IDR-F33/16
 - IDR
 - IDR-LA
 - IDRA-T
 - IFR · IPR
 - IDBA-HM
 - IDBA-HMS
 - IDBA-HMS-IR
 - IDBA-FD
 - IDBA-LEH2
 - IDBA-LEH
 - IDBA-LE
 - IDBA-SE
 - IDBA-SL
 - IDBA
 - IDBA-Q
 - IFLA · IFLB
 - IDHM
 - IHMA
 - IHMA-V
 - IFPA
 - IFD-IR
 - IHMA-40D
 - IFPA-D
- Ring illumination products
- IPOC
 - IFHA
 - IDDB-KH · IDDA-KH
 - IDUB
 - IDD
 - IDD-CB
 - IQD · IQDH
 - IQDA-CB
 - IFVA · IFVB
 - IFVA-ST
 - IFV
 - IV-14 · IV-30
 - IHV-20 · IHVE-21
- Special illumination products
- IHVA-SP · IHSL-SP
 - IBF
 - IHV-FX
 - RBOX
 - IDBB-CH
 - IDHRA
 - UV-CAN
 - Infrared
 - Infrared
 - IMAR-RGB
 - IDDA-KH-RGB
 - RGB Full-color
 - ISU
 - ISS
- Kit products
- Introduction of Customization
 - High-speed synchronous image capture kit products
 - ISC-24
 - Image capture evaluation kit products
 - IDMU
 - ILP
 - ILC
 - ILV
 - ILS
- Controller products
- IPPA_G · IRPA_G
 - IPSA · IPPA
 - IDGC
 - IDPA
 - IDCA
 - IMC
 - IWDV-24
 - IWDV(S)-48
 - ISC
 - IJS
 - IJS-30M2-TP/SS
 - ILS-40M2-PI/SS
 - SAG
 - SLLUB
 - LLUB
 - IFIC



Line illumination products

Ring illumination products

Bar illumination products

Transmitted/area illumination products

Dome illumination products

Special illumination products

Kit products

Controller products

Other illumination products

- IDBB-LSRF
- IDBC-LSR
- IDBB-LSRH
- IDBB-LSRA
- IDBB-LSRS
- IDBC-LSRC
- IDBB-LSRC
- IDBC-RE
- IDBB-RE
- IDBA-RK
- IQDH-RE
- IMAR-D_8ch
- IDR-LA_8ch
- IDRA-T_8ch
- IMAR-D
- IMAR-CT D
- IHR-LE
- IHRB · IHRA
- IDR-F
- IDR-F33/16
- IDR
- IDR-LA
- IDRA-T
- IFR · IPR
- IDBA-HM
- IDBA-HMS
- IDBA-HMS-IR
- IDBA-FD
- IDBA-LEH2
- IDBA-LEH
- IDBA-LE
- IDBA-SE
- IDBA-SL
- IDBA
- IDBA-Q
- IFLA · IFLB
- IDHM
- IHMA
- IHMA-V
- IFPA
- IFD
- IFD-IR
- IHMA-40D
- IFPA-D
- IPQC
- IFHA
- IDDB-KH · IDDA-KH
- IDUB
- IDD
- IDD-CB
- IQD · IQDH
- IQDA-CB
- IFVA · IFVB
- IFVA-ST
- IFV
- IV-14 · IV-30
- IHV-20 · IHVE-21
- IHVA-SP · IHSL-SP
- IBF
- IHV-FX
- RBOX
- IDBB-CH
- IDHRA
- UV-CAN
- Infrared
- Infrared
- IMAR-RGB
- IDDA-KH-RGB
- RGB Full-color
- ISU
- ISS
- Introduction of Customization
- High-speed synchronous imaging camera kit products
- ISC-24
- Image capture evaluation kit products
- IDMU
- ILP
- ILC
- ILV
- ILS
- IPPA_G · IRPA_G
- IPSA · IPPA
- IDGC
- IDPA
- IDCA
- IMC
- IWDV-24
- IWDV(S)-48
- ISC
- IJS
- IUS-30M2-TP/SS
- ILS-40M2-PI/SS
- SAG
- SLUB
- LLUB
- IFC