

# High Power Direct Irradiate Dome Illumination [IDD Series]

Achieves high-brightness omnidirectional illumination



24V DC Models Available

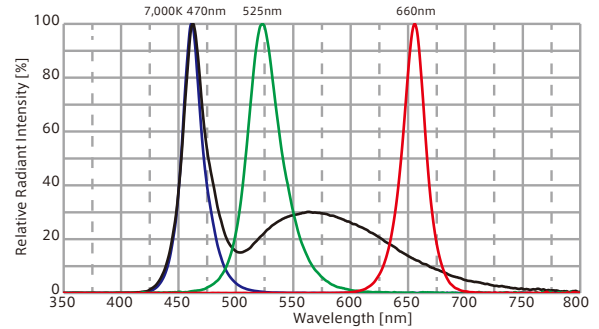


## Option (Diffusion dome can be attached)



※The model of optional diffusion dome plate is IKDD

## Optical Spectrum (Ref.Value)



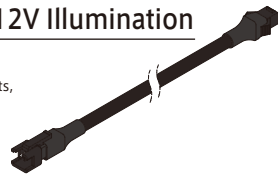
Model	Color	Power Consumption(W)	Input Voltage	SAG (※)	Applicable Controller	Drawing
IDD-60/13□	R	2.7	DC12V	6F	IDMU Series (P.193) ILP-30M2 (P.197) IDGC Series (P.209) and the others Strobe/Overdrive Controllers, etc.	1
	DW B G	4		FF		
IDD-60/13□S(30%)	R	2.7		6F		2
	DW B G	4		FF		
IDD-120/30□	R	12.5		76		3
	DW B G	18.8		FF		
IDD-120/30□S(30%)	R	12.5		76		4
	DW B G	18.8		FF		

- ★The emission color (DW=White,R=Red,G=Green,B=Blue) is indicated by □ in the model table.
  - ★Diffusion dome plate with a transmissivity of 30%, 60%, 80% could be attached.
  - ★DC24V products are also available. Please feel free to contact us for more information.
  - ★Custom sizes are also available aside from the ones listed above.
- ※SAG: The maximum instantaneous upper limit output voltage setting value in the controller for the corresponding illumination when used in combination with the Overdrive controller.

## Extension Cable For DC12V Illumination

### I-CB-S Series

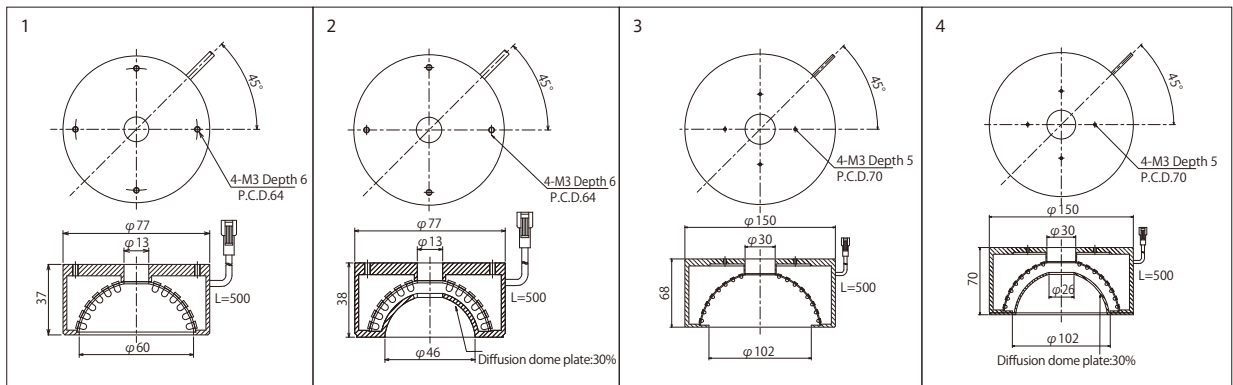
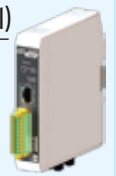
When used for moving parts such as robots, please use the I-CB-S\_R-C02 series, which manufactured with robust robot cable with high flexibility. I-CB-S\_-24 series and I-CB-S\_R-24-C02 series are compatible for DC24V model.



## Recommended Digital Controller(PWM Control)

### IDMU Series

Output control: 1,000 Levels  
Compact PWM controller with DC24V input voltage, ideal for installation inside panels  
Expandable up to 40 channels by linking units  
Equipped with programming and camera trigger output functions, making it versatile.



- Line illumination products
- IDBB-LSRF
  - IDBC-LSR
  - IDBB-LSRH
  - IDBB-LSRA
  - IDBB-LSRS
  - IDBC-LSRC
  - IDBB-LSRC
  - IDBC-RE
  - IDBB-RE
  - IDBA-RK
  - IQDH-RE
  - IMAR-D\_8ch
  - IDR-LA-8ch
  - IDRA-T-8ch
  - IMAR-D
  - IMAR-CT D
  - IHR-LE
  - IHRB · IHRA
  - IDR-F
  - IDR-F33/16
  - IDR
  - IDR-LA
  - IDRA-T
  - IFR · IPR
  - IDBA-HM
  - IDBA-HMS
  - IDBA-HMS-IR
  - IDBA-FD
  - IDBA-LEH2
  - IDBA-LEH
  - IDBA-LE
  - IDBA-SE
  - IDBA-SL
  - IDBA
  - IDBA-Q
  - IFLA · IFLB
  - IDHM
  - IHMA
  - IHMA-V
  - IFPA
  - IFD-IR
  - IHMA-40D
  - IFPA-D
  - IPOC
  - IFHA
  - IDDB-KH · IDDA-KH
  - IDUB
  - IDD
  - IDD-CB
  - IQD · IQDH
  - IQDA-CB
  - IFVA · IFVB
  - IFVA-ST
  - IFV
- Ring illumination products
- IV-14 · IV-30
  - IHV-20 · IHVE-21
- Bar illumination products
- IHVA-SP · IHSL-SP
  - IBF
  - IHV-FX
  - RBOX
  - IDBB-CH
  - IDHRA
  - UV-CAN
- Dome illumination products (transmitted/area illumination products)
- Infrared
  - Infrared
  - IMAR-RGB
  - IDDA-KH-RGB
  - RGB Full-color
  - ISU
  - ISS
- Special illumination products
- Introduction of Customization
  - High speed synchronous image color IC products
  - ISC-24
  - Image capture evaluation kit products
- Kit products
- IDMU
  - ILP
  - ILC
  - ILV
  - ILS
  - IPPA\_G · IRPA\_G
  - IPSA · IPPA
  - IDGC
  - IDPA
  - IDCA
  - IMC
  - IWDV-24
  - IWDV(S)-48
  - ISC
  - IJS
  - IJS-30M2-TP/SS
  - ILS-40M2-PI/SS
  - SAG
  - SLLUB
  - LLUB
  - IFIC