

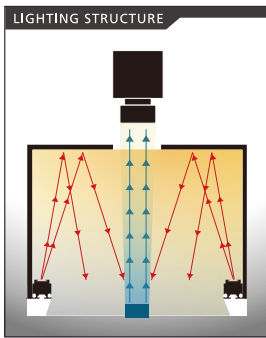
NEW

High Uniformity Large Cube Dome Illumination [IQDA-CB series]

Ideal for conveyor picking applications!
Large size high uniform dome illumination for inspection of special objects on the conveyor.

24V DC Models Available

- Applications**
- Robotics industry
 - ➔ Object recognition for conveyor picking
 - Pharmaceutical industry etc.
 - ➔ Defect inspection of tablets/blister packs
 - ➔ Visual inspection of PTP blister packaging etc.



Standard Size Lineup Standard release in 240x220 / 340x320 / 440x320 / 540x320mm² 4 sizes.

Imaging Example

● Object: Cap screw



★IQBA-CB
Imaging with uniform illumination is achievable even on objects with multiple curved elements, such as cap screws

● Object: Metal parts with surface irregularities.



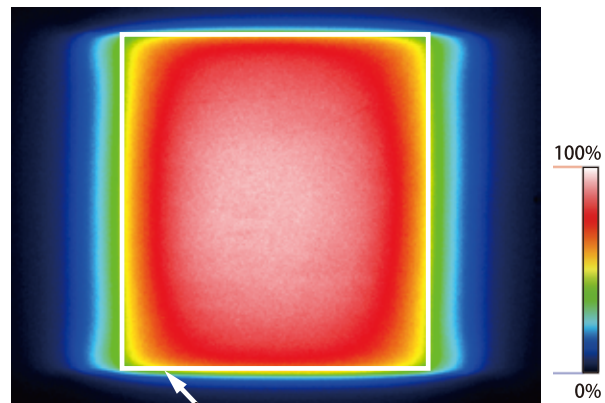
☆Normal illumination
In objects with surface irregularities, shadows are more likely to appear.



★IQBA-CB
Even for objects with surface irregularities, it is possible to achieve uniform illumination and capture images with reduced occurrence of shadows.

Smooth And Even Irradiation Achieved To Match The Objects.

With cube-shaped dome illumination, LED light can be projected from two directions, enabling shadow-free image capturing. The reflective dome allows for soft irradiation, ensuring uniformity from the center to the edges.



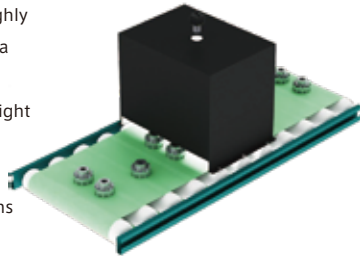
Cube Dome Opening (IQDA-CB240/220W)

- Line illumination products
- IDBB-LSRF
 - IDBC-LSR
 - IDBB-LSRH
 - IDBB-LSRA
 - IDBB-LSRS
 - IDBC-LSRC
 - IDBB-LSRC
 - IDBC-RE
 - IDBB-RE
 - IDBA-RK
 - IQDH-RE
 - IMAR-D_8ch
 - IDR-LA-8ch
 - IDRA-T-8ch
 - IMAR-D
 - IMAR-CT D
 - IHR-LE
 - IHRB · IHRA
 - IDR-F
 - IDR-F33/16
 - IDR
 - IDR-LA
 - IDRA-T
 - IFR · IPR
 - IDBA-HM
 - IDBA-HMS
 - IDBA-HMS-IR
 - IDBA-FD
 - IDBA-LEH2
 - IDBA-LEH
 - IDBA-LE
 - IDBA-SE
 - IDBA-SL
 - IDBA
 - IDBA-Q
 - IFLA · IFLB
 - IDHM
 - IHMA
 - IHMA-V
 - IFPA
 - IFD
 - IFD-IR
 - IHMA-40D
 - IFPA-D
 - IPOC
 - IFHA
 - IDDB-KH · IDDA-KH
 - IDUB
 - IDD
 - IDD-CB
 - IQD · IQDH
 - IQDA-CB
 - IFVA · IFVB
 - IFVA-ST
 - IFV
 - IV-14 · IV-30
 - IHV-20 · IHVE-21
 - IHVA-SP · IHSL-SP
 - IBF
 - IHV-FX
 - RBOX
 - IDBB-CH
 - IDHRA
 - UV-CAN
 - Infrared
 - Infrared
 - IMAR-RGB
 - IDDA-KH-RGB
 - RGB Full-color
 - ISU
 - ISS
 - Introduction of Customization
 - High-speed synchronous image capture IC products
 - ISC-24
 - Image capture evaluation kit products
 - IDMU
 - ILP
 - ILC
 - ILV
 - ILS
 - IPPA_G · IRPA_G
 - IPSA · IPPA
 - IDGC
 - IDPA
 - IDCA
 - IMC
 - IWDV-24
 - IWDV(S)-48
 - ISC
 - IJS
 - IJS-30M2-TP/SS
 - ILS-40M2-PI/SS
 - SAG
 - SLLUB
 - LLUB
 - IFIC
- Ring illumination products
- Bar illumination products
- Transmitted/area illumination products
- Ceiling illumination products
- Dome illumination products
- Special illumination products
- Kit products
- Controller products
- Dome illumination products

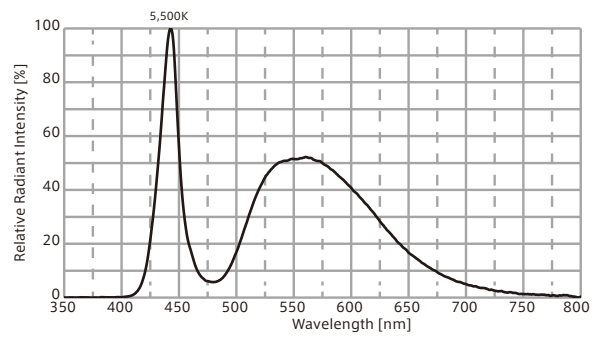
Ideal For Robot Picking Of Moving Objects On Conveyors.

With cube dome illumination, it is possible to achieve highly uniform illumination with a minimized body even for objects with significant height differences.

Therefore, it is ideal for robotic picking applications on conveyor systems.



Optical Spectrum (Ref.Value)



Model	Color	Power Consumption(W)	Input Voltage	SAG (※)	Applicable Controller	Drawing
IQDA-CB240/220W	W	28 (14x2ch)	DC12V	A9	IDGC series (P.209) and the others Strobe/Overdrive Controllers, etc.	①
IQDA-CB340/320W	W	42 (21x2ch)		AC		②
IQDA-CB440/320W	W	56 (28x2ch)		B0		③
IQDA-CB540/320WHV	W	70 (35x2ch)	DC24V	—	IDGC-24 series (P.209) etc.	④

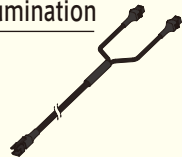
*DC24V products are also available. Please feel free to contact us for more information.

※SAG: The maximum instantaneous upper limit output voltage setting value in the controller for the corresponding illumination when used in combination with the Overdrive controller.

2-Way Extension Cable For DC12V Illumination

I-2M series

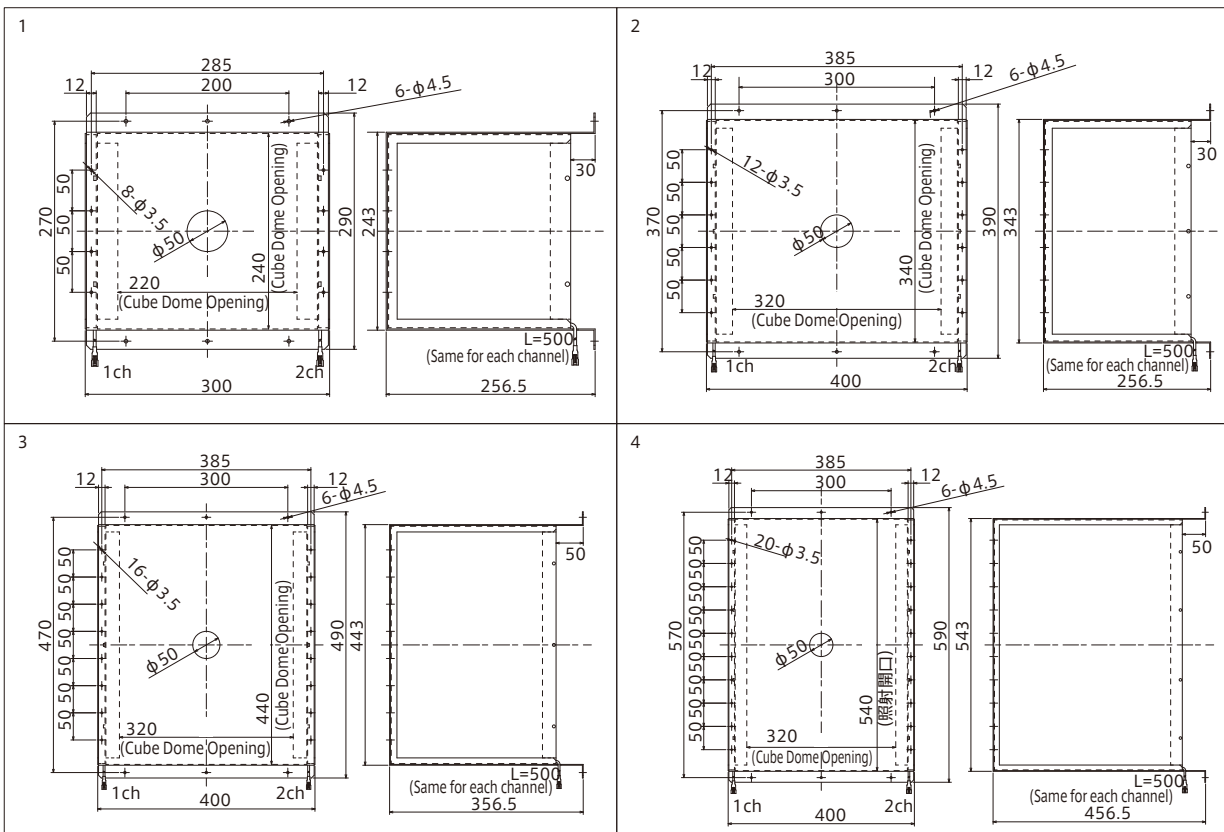
It is possible to illuminate two lighting channels with a single cable.
I-2M_24 series is compatible for DC24V model



Recommended Digital Controller(PWM Control)

IDGC series

Output control: 256 Levels.
Compact multi-channel PWM controller with AC110~240V input voltage.
Equipped with programming and camera trigger output functions, making it versatile.



- Line illumination products
 - IDBB-LSRF
 - IDBB-LSRH
 - IDBB-LSRA
 - IDBB-LSRS
 - IDBB-LSRC
 - IDBB-LSRE
 - IDBB-RE
 - IDBA-RK
 - IQDH-RE
 - IMAR-D_8ch
 - IDR-LA-8ch
 - IDRA-T-8ch
 - IMAR-D
 - IMAR-CT D
 - IHR-LE
 - IHRB · IHRA
 - IDR-F
 - IDR-F33/16
 - IDR
 - IDR-LA
 - IDRA-T
 - IFR · IPR
 - IDBA-HM
- Ring illumination products
 - IDBA-HMS
 - IDBA-HMS-IR
 - IDBA-FD
 - IDBA-LEH2
 - IDBA-LEH
 - IDBA-LE
 - IDBA-SE
 - IDBA-SL
 - IDBA
 - IDBA-Q
- Bar illumination products
 - IFLA · IFLB
 - IDHM
 - IHMA
 - IHMA-V
 - IFPA
 - IFD
 - IFD-IR
 - IHMA-40D
 - IFPA-D
 - IPQC
 - IFHA
- Dome illumination products
 - IDDB-KH · IDDA-KH
 - IDUB
 - IDD
 - IDD-CB
 - IQD · IQDH
 - IQDA-CB
 - IFVA · IFVB
 - IFVA-ST
 - IFV
- Local illumination products
 - IV-14 · IV-30
 - IHV-20 · IHVE-21
 - IHVA-SP · IHSL-SP
 - IBF
 - IHV-FX
 - RBOX
 - IDBB-CH
 - IDHRA
 - UV-CAN
 - Infrared
 - Infrared
 - IMAR-RGB
 - IDDA-KH-RGB
 - RGB Full-color
 - ISU
 - ISS
- for products
 - Introduction of Customization
 - High-speed synchronous imaging camera products
 - ISC-24
 - Image capture evaluation kit products
- Controller products
 - IDMU
 - ILP
 - ILC
 - ILV
 - ILS
 - IPPA_G · IRPA_G
 - IPSA · IPPA
 - IDGC
 - IDPA
 - IDCA
 - IMC
 - IWDV-24
 - IWDV(S)-48
 - ISC
 - IJS
 - IUS-30M2-TP/SS
 - ILS-40M2-PI/SS
 - SAG
 - SLLUB
 - LLUB
 - IFIC