

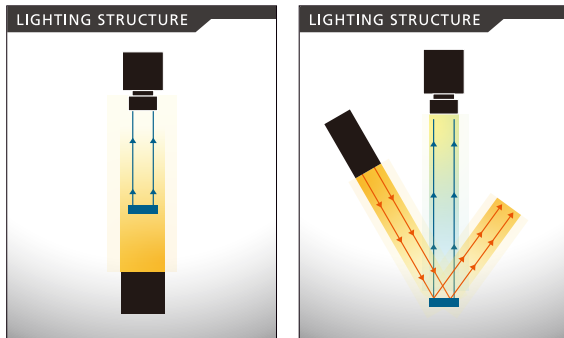
Collimate Irradiate Illumination [IBF Series]

Long-range collimated projection illumination capable of projecting light tens of meters ahead



Original Optical Design Power LEDs

- Applications**
- Beverage bottles/Plastic molding industry etc.
 - ➔ Inspection of top surface chipping etc.
 - Semiconductor/Electronic components industry etc.
 - ➔ Inspection of characters on chip components/Electronic parts ,etc.
 - Automotive parts/ on-board/ machinery parts industry etc.
 - ➔ Recognition of characters and bar codes on plastic/resin parts etc.

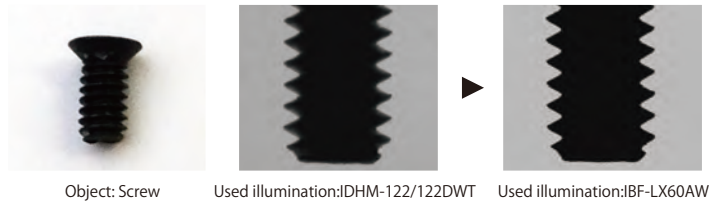
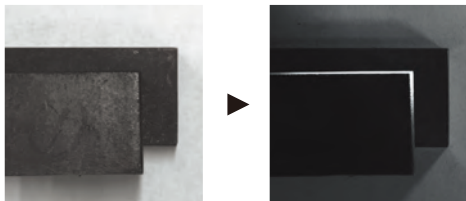


Standard Size Lineup Standard release in 7 sizes:
 $\phi 20 / \phi 32 / \phi 48 / \phi 70 / \square 105\text{mm}$

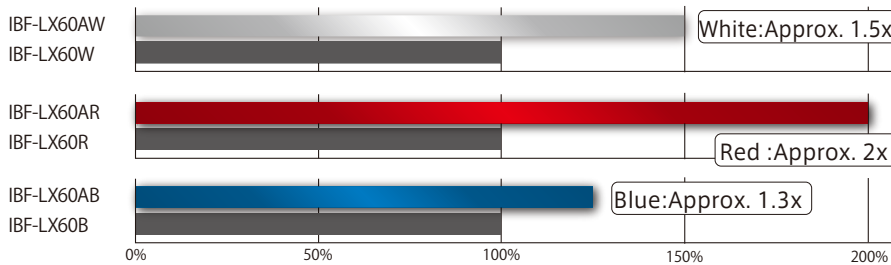
Imaging Example

By illuminating two recessed objects with depth using parallel light on a single edge, it is possible to emphasize only that edge.

By illuminating with parallel light, it prevents shadows and captures the silhouette accurately, enabling precise dimensional measurements.



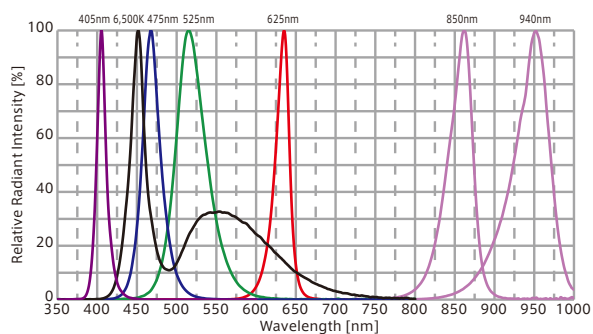
Comparison with Conventional Products (Ref.Value)



- Line illumination products
- Ring illumination products
- Bar illumination products
- Transmitted/area illumination products
- Dome illumination products
- Special illumination products
- Kit products
- Controller products
- Other illumination products

- IDBB-LSRF
- IDBC-LSR
- IDBB-LSRH
- IDBB-LSRA
- IDBB-LSRS
- IDBC-LSRC
- IDBB-LSRC
- IDBC-RE
- IDBB-RE
- IDBA-RK
- IQDH-RE
- IMAR-D_8ch
- IDR-LA-8ch
- IDRA-T-8ch
- IMAR-D
- IMAR-CT D
- IHR-LE
- IHRB · IHRA
- IDR-F
- IDR-F33/16
- IDR
- IDR-LA
- IDRA-T
- IFR · IPR
- IDBA-HM
- IDBA-HMS
- IDBA-HMS-IR
- IDBA-FD
- IDBA-LEH2
- IDBA-LEH
- IDBA-LE
- IDBA-SE
- IDBA-SL
- IDBA
- IDBA-Q
- IFLA · IFLB
- IDHM
- IHMA
- IHMA-V
- IFPA
- IFD
- IFD-IR
- IHMA-40D
- IFPA-D
- IPOC
- IFHA
- IDDB-KH · IDDA-KH
- IDUB
- IDD
- IDD-CB
- IQD · IQDH
- IQDA-CB
- IFVA · IFVB
- IFVA-ST
- IFV
- IV-14 · IV-30
- IHV-20 · IHVE-21
- IHVA-SP · IHSL-SP
- IBF
- IHV-FX
- RBOX
- IDBB-CH
- IDHRA
- UV-CAN
- Infrared
- Infrared
- IMAR-RGB
- IDDA-KH-RGB
- RGB Full-color
- ISU
- ISS
- Introduction of Customization
- High speed synchronous image capture kit products
- ISC-24
- Image capture evaluation kit products
- IDMU
- ILP
- ILC
- ILV
- ILS
- IPPA_G · IRPA_G
- IPSA · IPPA
- IDGC
- IDPA
- IDCA
- IMC
- IWDV-24
- IWDV(S)-48
- ISC
- IJS
- IJS-30M2-TP/SS
- ILS-40M2-PI/SS
- SAG
- SLLUB
- LLUB
- IFIC

Optical Spectrum (Ref. Value)



Replacement of Laser Pointer (For Visual Inspection)



Model	Color	Input Voltage	Input Current	Applicable Controller	Drawing
IBF-LXS20A■	R W B G	-	350mA	ILC-350M2-VI(P.199)	1
IBF-LXS30A□	R W B G UV (405) IR (850) IR (940)		700mA	ILC-700M2-VI(P.199) IDCA Series (P.213)	2
IBF-LX30A□					3
IBF-LX40A□					4
IBF-LX60A□					5
IBF-CB100W	W	DC12V	Power Consumption 9.5W	ILP-30M2(P.197), etc.	6

★ IBF-LXS and IBF-LX can be connected to a controller other than the applicable controller via a resistance box.
 ★ The emission color (W=White,R=Red,G=Green, B=Blue, UV-405=Ultra Violet, IR-850 or IR-940=Infrared) is indicated by □ in the model table.
 ■ represents color (R=Red, W=White, B=Blue, G=Green).

Optional Parts Resistance Box(Foe IBF-LXS/LX series)

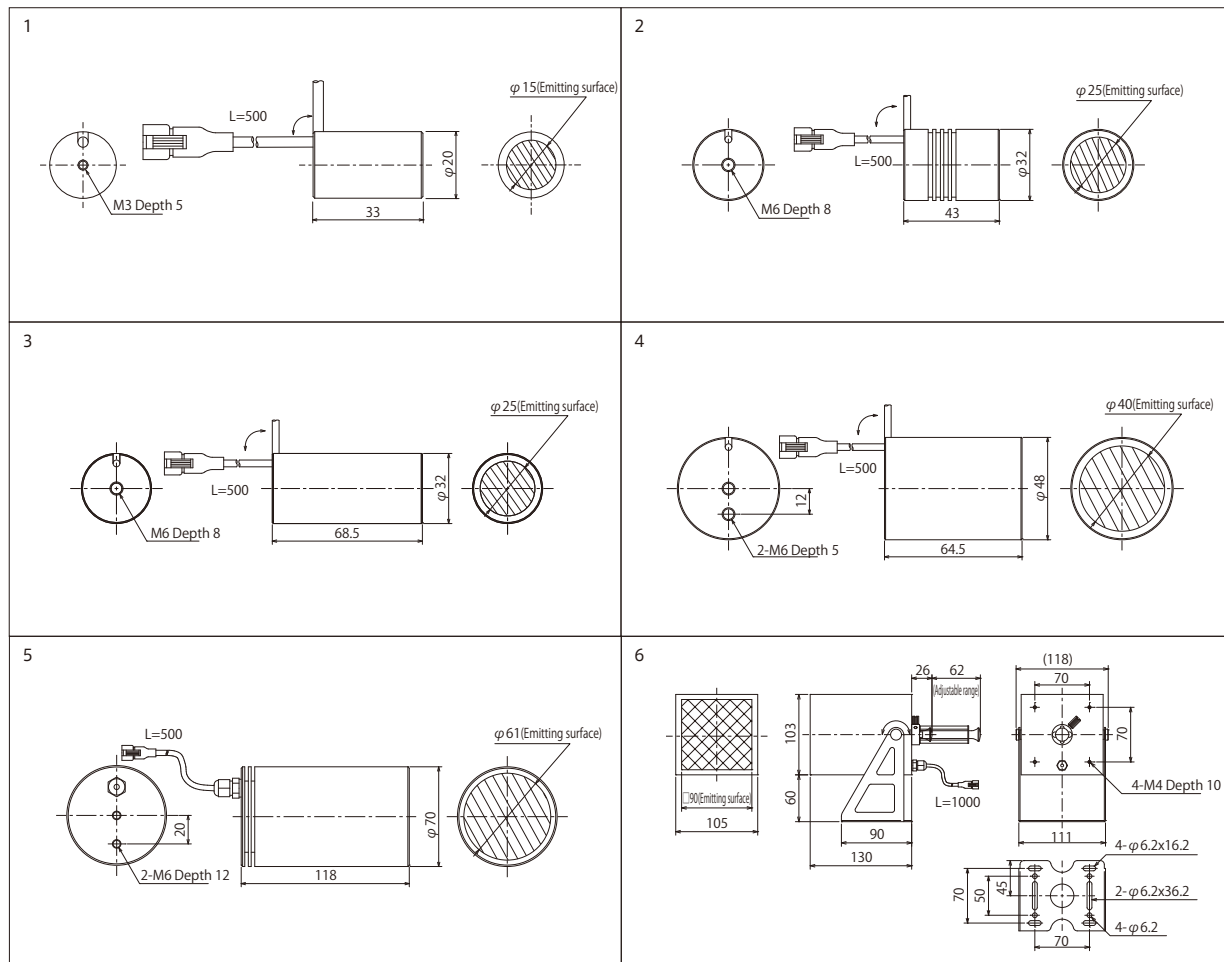


This is necessary when using with DC12V output controller. By using a resistance box, it can be connected to controllers (ILP, IDGC, etc.) other than the specified controller. It is also required when enabling overdrive illumination. Please refer to P.160 for more details.

Recommended Digital Controller(Constant- Current Control)

ILC Series

Output Control: External 0-5V Control
 Compact constant current controller ideal for in-board installation
 Compatible with IHV, IHVE, and IBF series for direct connection.



- Line illumination products
 - IDBB-LSRF
 - IDBC-LSR
 - IDBB-LSRH
 - IDBB-LSRA
 - IDBB-LSRS
 - IDBC-LSRC
 - IDBB-LSRC
 - IDBC-RE
 - IDBB-RE
 - IDBA-RK
 - IQDH-RE
 - IMAR-D_8ch
 - IDR-LA-8ch
 - IDRA-T-8ch
 - IMAR-D
- Ring illumination products
 - IMAR-CT D
 - IHR-LE
 - IHRB · IHRA
 - IDR-F
 - IDR-F33/16
 - IDR
 - IDR-LA
 - IDRA-T
 - IFR · IPR
 - IDBA-HM
- Bar illumination products
 - IDBA-HMS
 - IDBA-HMS-IR
 - IDBA-FD
 - IDBA-LEH2
 - IDBA-LEH
 - IDBA-LE
 - IDBA-SE
 - IDBA-SL
 - IDBA
 - IDBA-Q
 - IFLA · IFLB
 - IDHM
 - IHMA
 - IHMA-V
 - IFPA
 - IFD
 - IFD-IR
 - IHMA-40D
 - IFPA-D
 - IPQC
 - IFHA
 - IDDB-KH · IDDA-KH
 - IDUB
 - IDD
 - IDD-CB
 - IQD · IQDH
 - IQDA-CB
 - IFVA · IFVB
 - IFVA-ST
 - IFV
 - IV-14 · IV-30
 - IHV-20 · IHVE-21
- Dome illumination products
 - IHVA-SP · IHSL-SP
 - IBF
- Special illumination products
 - IHV-FX
 - RBOX
 - IDBB-CH
 - IDHRA
 - UV-CAN
 - Infrared
 - Infrared
 - IMAR-RGB
 - IDDA-KH-RGB
 - RGB Full-color
 - ISU
 - ISS
- Introduction of Customization
- High speed synchronous imaging camera products
 - ISC-24
- Image capture evaluation kit products
 - IDMU
 - IDLP
 - ILC
 - ILV
 - ILS
- Controller products
 - IPPA_G · IRPA_G
 - IPSA · IPPA
 - IDGC
 - IDPA
 - IDCA
 - IMC
 - IWDV-24
 - IWDV(S)-48
 - ISC
 - IJS
 - IUS-30M2-TP/SS
 - ILS-40M2-PI/SS
 - SAG
 - SLLUB
 - LLUB
 - IFIC