

NEW

High Power Ultraviolet Bar Illumination [IDBB-CH Series]

Fluorescent excitation bar illumination equipped with new high-power UV-LEDs
Lineup includes Long type and Short type with selectable irradiation distances

Power LEDs

- Applications**
- Packaging industry etc.
 - ➔ Excitation of fluorescent substances in adhesives and glues



Standard Size Lineup

Standard release in total of 90 variations, including 9 sizes in 75mm increments ranging from 75mm to 675mm in length for the emitting surface, 2 types of illumination (narrow-angle and wide-angle), and 5 different wavelengths for illumination.

A Wide Range of Illumination Wavelengths to Cater to Various Needs.

Standard UV-LED illumination wavelengths include **365nm and 385nm.**

Additionally, customization options for producing illumination wavelengths of **375nm, 395nm, and 405nm** upon request.

- ⚠ Please note the following precautions when using UV illumination:**
- Do not look directly at the light source or any specular reflections.
 - Wear protective goggles when using UV light sources.
 - Avoid directing the emission towards the eyes when powering on the device to prevent accidental exposure.
 - Wear long-sleeved clothing and gloves to prevent direct contact between the skin and the UV illumination. It is important to prioritize safety and take necessary precautions to minimize any potential risks associated with UV light exposure.

Improved Versatility in Installation

The IDBB-CH series features a slide nut mechanism for secure mounting and includes insertion slots on both the rear and side panels.

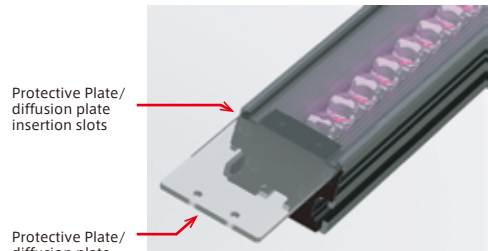
The adoption of the slide nut mechanism allows for flexible positioning at any desired location along the slots, and it also offers the option to switch to M3/M5 slide nuts (INBB series) in addition to the standard M4 slide nut.



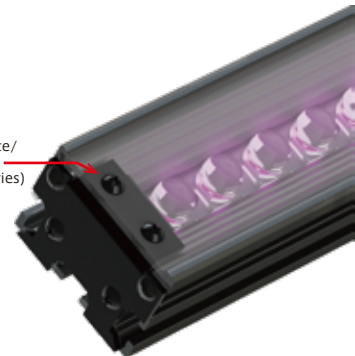
Simply insert the dedicated slide nuts into the slots on the side and rear panels of the housing.

Protective Plates and Diffuser Plates Could Be Attached

As an optional feature, you can attach protective and diffusion plates that are compatible with ultraviolet light. Protective plate with 100% light transmittance and diffusion plate with 85% light transmittance are available. Simply insert the plates into the designated slots and secure them in place using the provided screws. This allows for convenient attachment even after the initial installation.



Truss screws for securing protective Plate/diffusion plate (Protective plate/diffusion plate accessories)



Line illumination products

- IDBB-LSRF
- IDBC-LSR
- IDBB-LSRH
- IDBB-LSRA
- IDBB-LSRS
- IDBC-LSRC
- IDBB-LSRC
- IDBC-RE
- IDBB-RE
- IDBA-RK
- IQDH-RE
- IMAR-D_8ch
- IDR-LA-8ch
- IDRA-T-8ch
- IMAR-D
- IMAR-CT D
- IHR-LE
- IHRB · IHRA
- IDR-F
- IDR-F33/16
- IDR
- IDR-LA
- IDRA-T
- IFR · IPR
- IDBA-HM
- IDBA-HMS
- IDBA-HMS-IR
- IDBA-FD
- IDBA-LEH2
- IDBA-LEH
- IDBA-LE
- IDBA-SE
- IDBA-SL
- IDBA
- IDBA-Q
- IFLA · IFLB
- IDHM
- IHMA
- IHMA-V
- IFPA
- IFD
- IFD-IR
- IHMA-40D
- IFPA-D
- IPOC
- IFHA
- IDDB-KH · IDDA-KH
- IDUB
- IDD
- IDD-CB
- IQD · IQDH
- IQDA-CB
- IFVA · IFVB
- IFVA-ST
- IFV
- IV-14 · IV-30
- IHV-20 · IHVE-21
- IHVA-SP · IHSL-SP
- IBF
- IHV-FX
- RBOX
- IDBB-CH
- IDHRA
- UV-CAN
- Infrared
- Infrared
- IMAR-RGB
- IDDA-KH-RGB
- RGB Full-color
- ISU
- ISS

Special illumination products

- Introduction of Customization
- High-speed and high-precision color IC products
- ISC-24
- Image capture evaluation kit products
- IF0 products
- IDMU
- ILP
- ILC
- ILV
- ILS
- IPPA_G · IRPA_G
- IPSA · IPPA
- IDGC
- IDPA
- IDCA
- IMC
- IWDV-24
- IWDV(S)-48
- ISC
- IJS
- IJS-30M2-TP/SS
- ILS-40M2-PI/SS
- SAG
- SLLUB
- LLUB
- IFIC

Ring illumination products

- IMAR-D
- IMAR-CT D
- IHR-LE
- IHRB · IHRA
- IDR-F
- IDR-F33/16
- IDR
- IDR-LA
- IDRA-T
- IFR · IPR
- IDBA-HM
- IDBA-HMS
- IDBA-HMS-IR
- IDBA-FD
- IDBA-LEH2
- IDBA-LEH
- IDBA-LE
- IDBA-SE
- IDBA-SL
- IDBA
- IDBA-Q
- IFLA · IFLB
- IDHM
- IHMA
- IHMA-V
- IFPA
- IFD
- IFD-IR
- IHMA-40D
- IFPA-D
- IPOC
- IFHA
- IDDB-KH · IDDA-KH
- IDUB
- IDD
- IDD-CB
- IQD · IQDH
- IQDA-CB
- IFVA · IFVB
- IFVA-ST
- IFV
- IV-14 · IV-30
- IHV-20 · IHVE-21
- IHVA-SP · IHSL-SP
- IBF
- IHV-FX
- RBOX
- IDBB-CH
- IDHRA
- UV-CAN
- Infrared
- Infrared
- IMAR-RGB
- IDDA-KH-RGB
- RGB Full-color
- ISU
- ISS

Bar illumination products

- IDBB-LSRF
- IDBC-LSR
- IDBB-LSRH
- IDBB-LSRA
- IDBB-LSRS
- IDBC-LSRC
- IDBB-LSRC
- IDBC-RE
- IDBB-RE
- IDBA-RK
- IQDH-RE
- IMAR-D_8ch
- IDR-LA-8ch
- IDRA-T-8ch
- IMAR-D
- IMAR-CT D
- IHR-LE
- IHRB · IHRA
- IDR-F
- IDR-F33/16
- IDR
- IDR-LA
- IDRA-T
- IFR · IPR
- IDBA-HM
- IDBA-HMS
- IDBA-HMS-IR
- IDBA-FD
- IDBA-LEH2
- IDBA-LEH
- IDBA-LE
- IDBA-SE
- IDBA-SL
- IDBA
- IDBA-Q
- IFLA · IFLB
- IDHM
- IHMA
- IHMA-V
- IFPA
- IFD
- IFD-IR
- IHMA-40D
- IFPA-D
- IPOC
- IFHA
- IDDB-KH · IDDA-KH
- IDUB
- IDD
- IDD-CB
- IQD · IQDH
- IQDA-CB
- IFVA · IFVB
- IFVA-ST
- IFV
- IV-14 · IV-30
- IHV-20 · IHVE-21
- IHVA-SP · IHSL-SP
- IBF
- IHV-FX
- RBOX
- IDBB-CH
- IDHRA
- UV-CAN
- Infrared
- Infrared
- IMAR-RGB
- IDDA-KH-RGB
- RGB Full-color
- ISU
- ISS

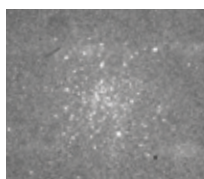
Controller products

- IPPA_G · IRPA_G
- IPSA · IPPA
- IDGC
- IDPA
- IDCA
- IMC
- IWDV-24
- IWDV(S)-48
- ISC
- IJS
- IJS-30M2-TP/SS
- ILS-40M2-PI/SS
- SAG
- SLLUB
- LLUB
- IFIC

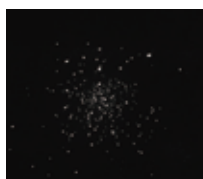
Imaging Example

Ideal for excitation of fluorescent materials and inspection of fine scratches.

Sample:
Detergent



IDBB-CH150S-UV-365



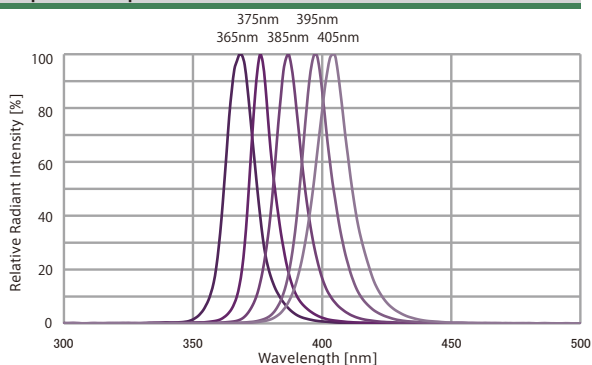
Sample:
Transparent Acrylic Plate



IDBB-CH150S-UV-365



Optical Spectrum (Ref.Value)



Model	Color	Power Consumption(W)	Input Voltage	Applicable Controller	Drawing
IDBB-CH(X1)L-UV-■	UV (365,375,385,395,405)	7.5 x n	DC24V	IDMU-24 series (P.193) ILP-60M2-24 (P.197) IDGC-24 series (P.209)	1
IDBB-CH(X1)S-UV-■	UV (365,375,385,395,405)			2	

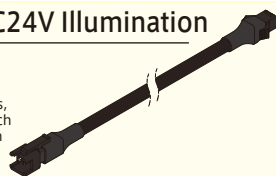
★The illumination wavelengths(365,375,385,395,40) is indicated by ■ in the model table.
★The numbers corresponding to the length of the emission surface (X1 & n) is indicated by ■ in the model table.

Length of the emission surface	77	152	227	302	377	452	527	602	677
X1	75	150	225	300	375	450	525	600	675
n	1	2	3	4	5	6	7	8	9

Connection Cable For DC24V Illumination

I-CB-S_24 Series

When used for moving parts such as robots, please use the I-CB-S_R-24-C02 series which manufactured with robust robot cable with high flexibility.



Recommended Digital Controller(PWM Control)

IDMU-24 Series

Output control: 1,000 Levels
Compact PWM controller with DC24V input voltage, ideal for installation inside panels
Expandable up to 40 channels by linking units
Equipped with programming and camera trigger output functions, making it versatile.



Lens Filter

IM-UV / IM-Y48 Series

300-450nm Near Ultraviolet Transmittance Filter

These filters are designed to cut off light with a specific wavelength range.

480nm and above Transmittance Filter



Model	Mount Diameter
IM-UV-M255	M25.5 x P0.5
IM-UV-M270	M27.0 x P0.5
IM-UV-M305	M30.5 x P0.5



Model	Mount Diameter
IM-Y48-M255	M25.5 x P0.5
IM-Y48-M270	M27.0 x P0.5
IM-Y48-M305	M30.5 x P0.5

Protective Plate/Diffusion Plate for IDBB-CH series

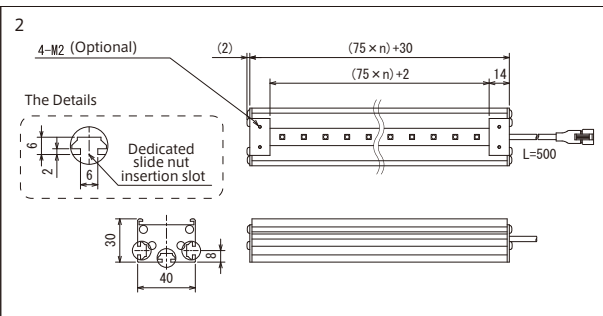
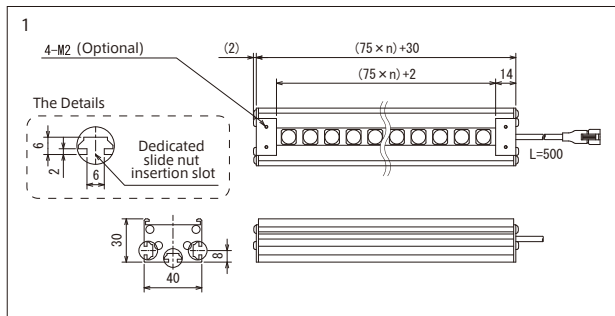
IKBB-CH series

These are the type of Protective and diffusing plates that are inserted into the housing. Made from materials that can withstand UV irradiation, and offer superior light transmission and durability compared to regular transparent and diffusing plates.



Model	Applicable Illumination	Transparency Rate
IKBB-CH(X1)UV-100	IDBB-CH(X1)□-UV-■	100%
IKBB-CH(X1)UV-85	IDBB-CH(X1)□-UV-■	85%

(X1) is indicated by a numerical value representing the length of the emission surface (e.g., 75, 150, etc.). The symbol (L/S) represents the illumination specification in □, and the numerical value (365, etc.) indicates the irradiation wavelength in ■.



- Line illumination products
 - IDBB-LSRF
 - IDBC-LSR
 - IDBB-LSRH
 - IDBB-LSRA
 - IDBB-LSRS
 - IDBC-LSRC
 - IDBB-LSRC
 - IDBC-RE
 - IDBB-RE
 - IDBA-RK
 - IQDH-RE
 - IMAR-D_8ch
 - IDR-LA-8ch
 - IDRA-T-8ch
 - IMAR-D
 - IMAR-CT D
 - IHR-LE
 - IHRB · IHRA
 - IDR-F
 - IDR-F33/16
 - IDR
 - IDR-LA
 - IDRA-T
 - IFR · IPR
 - IDBA-HM
- Ring illumination products
 - IDBA-HMS
 - IDBA-HMS-IR
 - IDBA-FD
 - IDBA-LEH2
 - IDBA-LEH
 - IDBA-LE
 - IDBA-SE
 - IDBA-SL
 - IDBA
 - IDBA-Q
 - IFLA · IFLB
 - IDHM
 - IHMA
 - IHMA-V
 - IFPA
 - IFD
 - IFD-IR
 - IHMA-40D
 - IFPA-D
 - IPQC
 - IFHA
 - IDDB-KH · IDDA-KH
 - IDUB
 - IDD
 - IDD-CB
 - IQD · IQDH
 - IQDA-CB
 - IFVA · IFVB
 - IFVA-ST
 - IFV
 - IV-14 · IV-30
 - IHV-20 · IHVE-21
- Bar illumination products
 - IHVA-SP · IHSL-SP
 - IBF
 - IHV-FX
 - RBOX
 - IDBB-CH
 - IDHRA
 - UV-CAN
 - Infrared
 - Infrared
 - IMAR-RGB
 - IDDA-KH-RGB
 - RGB Full-color
 - ISU
 - ISS
- Special illumination products
 - Introduction of Customization
 - High-speed synchronous imaging special products
 - ISC-24
 - Image capture evaluation kit products
 - IDMU
 - ILP
 - ILC
 - ILV
 - ILS
- Controller products
 - IPPA_G · IRPA_G
 - IPSA · IPPA
 - IDGC
 - IDPA
 - IDCA
 - IMC
 - IWDV-24
 - IWDV(S)-48
 - ISC
 - IJS
 - IUS-30M2-TP/SS
 - ILS-40M2-PI/SS
- Other illumination products
 - SAG
 - SLLUB
 - LLUB
 - IFIC