

PWM(Pulse Width Modulation) Dimming Controller

Multi-channel Analog PWM Controller [IDPA Series]

Low cost simple analog dimming controller (30W/2ch~100W/6ch)



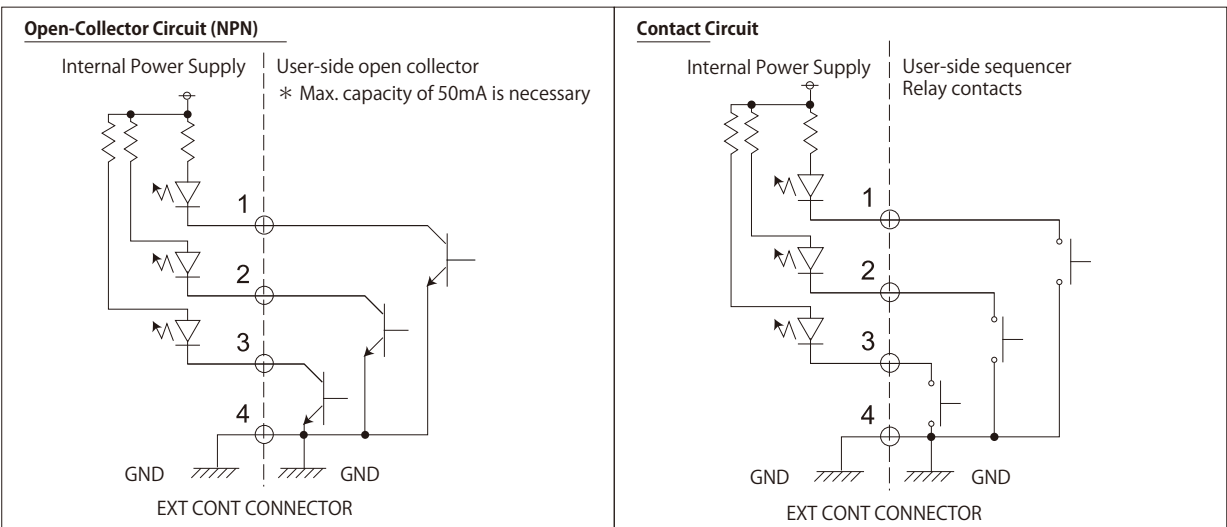
High cost performance/compact PWM dimming controller



- Standard equipped with ON/OFF control terminal.
- Compatible with AC 100-240V worldwide voltage.(The included power cable is for AC 100V.)
- The output control is possible in the range of 0 to 100% using PWM control.(Approx. 80kHz)

Example of Circuit Connection: External ON/OFF Control (IDPA-30M2)

- A current of approx. 10mA flows from pins 1/2/3 towards pin 4 . Please verify the ratings of the connected devices before use.
- When pins 3 and 4 of the external control connector are shorted, the control switches to external control mode. (Both channels of the connected illumination will turn off.)
- While in the above state, When pins 1 and 4 are shorted, the illumination connected to LAMP 1 connector will turn on. When pins 2 and 4 are shorted, the illumination connected to LAMP 2 connector will turn on. (Please note that the switching of external lighting control is effective for both channels simultaneously.)



Line illumination products
IDBB-LSRF
IDBC-LSR
IDBB-LSRH
IDBB-LSRA
IDBB-LSRS
IDBC-LSRC
IDBB-LSRC
IDBC-RE
IDBB-RE
IDBA-RK
IQDH-RE
IMAR-D_8ch
IDR-LA-8ch
IDRA-T-8ch
IMAR-D
IMAR-CT D
IHR-LE
IHRB · IHRA
IDR-F
IDR-F33/16
IDR
IDR-LA
IDRA-T
IFR · IPR
IDBA-HM
IDBA-HMS
IDBA-HMS-IR
IDBA-FD
IDBA-LEH2
IDBA-LEH
IDBA-LE
IDBA-SE
IDBA-SL
IDBA
IDBA-Q
IFLA · IFLB
IDHM
IHMA
IHMA-V
IFPA
IFD
IFD-IR
IHMA-40D
IFPA-D
IPOC
IFHA
IDDB-KH · IDDA-KH
IDUB
IDD
IDD-CB
IQD · IQDH
IQDA-CB
IFVA · IFVB
IFVA-ST
IFV
IV-14 · IV-30
IHV-20 · IHVE-21
IHVA-SP · IHSL-SP
IBF
IHV-FX
RBOX
IDBB-CH
IDHRA
UV-CAN
Infrared
Infrared
IMAR-RGB
IDDA-KH-RGB
RGB Full-color
ISU
ISS
Introduction of Customization
High-speed synchronous serial IC products
ISC-24
Image capture evaluation kit products
KIT products
IDMU
ILP
ILC
ILV
ILS
IPPA_G · IRPA_G
IPSA · IPPA
IDGC
IDPA
IDCA
IMC
IWDV-24
IWDV(S)-48
ISC
IJS
IJS-30M2-TP/SS
ILS-40M2-PI/SS
SAG
SLLUB
LLUB
IFIC

Ring illumination products
IFLA · IFLB
IDHM
IHMA
IHMA-V
IFPA
IFD
IFD-IR
IHMA-40D
IFPA-D
IPOC
IFHA
IDDB-KH · IDDA-KH
IDUB
IDD
IDD-CB
IQD · IQDH
IQDA-CB
IFVA · IFVB
IFVA-ST
IFV

Bar illumination products
IFLA · IFLB
IDHM
IHMA
IHMA-V
IFPA
IFD
IFD-IR
IHMA-40D
IFPA-D
IPOC
IFHA
IDDB-KH · IDDA-KH
IDUB
IDD
IDD-CB
IQD · IQDH
IQDA-CB
IFVA · IFVB
IFVA-ST
IFV

Special illumination products
IFLA · IFLB
IDHM
IHMA
IHMA-V
IFPA
IFD
IFD-IR
IHMA-40D
IFPA-D
IPOC
IFHA
IDDB-KH · IDDA-KH
IDUB
IDD
IDD-CB
IQD · IQDH
IQDA-CB
IFVA · IFVB
IFVA-ST
IFV

Controller products
IPPA_G · IRPA_G
IPSA · IPPA
IDGC
IDPA
IDCA
IMC
IWDV-24
IWDV(S)-48
ISC
IJS
IJS-30M2-TP/SS
ILS-40M2-PI/SS
SAG
SLLUB
LLUB
IFIC

Model	IDPA-30M2	IDPA-50M6	IDPA-100M6
Control Method	Approx. 80kHz PWM		
Input Voltage	AC100~240V 50/60Hz		
Rated Output	DC12V		
Capacity	30W	50W	100W
Channel Number	2CH	6CH	6CH
External Control	External ON/OFF Control		
External ON/OFF responsiveness	OFF → ON : Less than 6 μs, ON → OFF : Less than 60 μs		
Exterior Diagram	1		2

★The mentioned model above is a knob-type volume control. We also offer a semi-fixed volume control type that can be adjusted using a screwdriver, etc. In that case, the model number will have an "H" at the end.
 ★Please refer to P.246 for the details of external control cables.

External ON/OFF Control Cable

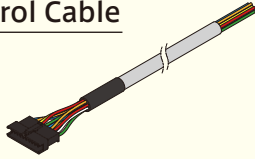
IC-CB-D Series



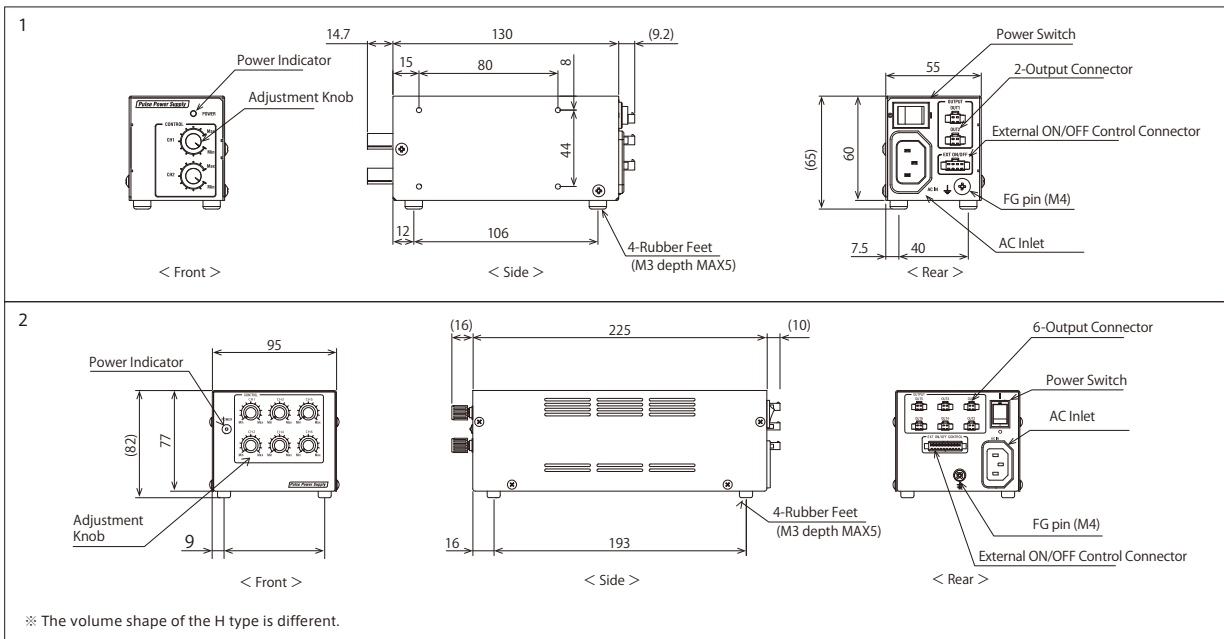
Please use the IC-CB-D series for using external ON/OFF control with the IDPA-30M2.

External ON/OFF Control Cable

IC-CB-8CH Series



Please use the IC-CB-8CH series for using external ON/OFF control with the IDPA-50M6 & IDPA-100M6



- Line illumination products
 - IDBB-LSRF
 - IDBC-LSR
 - IDBB-LSRH
 - IDBB-LSRA
 - IDBB-LSRS
 - IDBC-LSRC
 - IDBB-LSRC
 - IDBC-RE
 - IDBB-RE
 - IDBA-RK
 - IQDH-RE
 - IMAR-D_8ch
 - IDR-LA-8ch
 - IDRA-T-8ch
 - IMAR-D
 - IMAR-CT D
 - IHR-LE
 - IHRB · IHRA
 - IDR-F
 - IDR-F33/16
 - IDR
 - IDR-LA
 - IDRA-T
 - IFR · IPR
- Ring illumination products
 - IDBA-HM
 - IDBA-HMS
 - IDBA-HMS-IR
 - IDBA-FD
 - IDBA-LEH2
 - IDBA-LEH
 - IDBA-LE
 - IDBA-SE
 - IDBA-SL
 - IDBA
 - IDBA-Q
 - IFLA · IFLB
- Bar illumination products
 - IDHM
 - IHMA
 - IHMA-V
 - IFPA
 - IFD
 - IFD-IR
 - IHMA-40D
 - IFPA-D
 - IPQC
 - IFHA
 - IDDB-KH · IDDA-KH
 - IDUB
 - IDD
 - IDD-CB
 - IQD · IQDH
 - IQDA-CB
 - IFVA · IFVB
 - IFVA-ST
 - IFV
- Local illumination products
 - IV-14 · IV-30
 - IHV-20 · IHVE-21
 - IHVA-SP · IHSL-SP
 - IBF
- Special illumination products
 - IHV-FX
 - RBOX
 - IDBB-CH
 - IDHRA
 - UV-CAN
 - Infrared
 - Infrared
 - IMAR-RGB
 - IDDA-KH-RGB
 - RGB Full-color
 - ISU
 - ISS
- Other products
 - Introduction of Customization
 - High-speed synchronous imaging camera kit products
 - ISC-24
 - Image capture evaluation kit products
- Controller products
 - IDMU
 - ILP
 - ILC
 - ILV
 - ILS
 - IPPA_G · IRPA_G
 - IPSA · IPPA
 - IDGC
 - IDPA
 - IDCA
 - IMC
 - IWDV-24
 - IWDV(S)-48
 - ISC
 - IJS
 - IUS-30M2-TP/SS
 - ILS-40M2-PI/SS
- Other illumination products
 - SAG
 - SLUB
 - LLUB
 - IFC