

Constant Current & Constant Voltage Dimming Controller

# Multi-Channel Digital Constant Current Controller [IDCA Series]

Constant-current controller capable of running a wide range of illumination

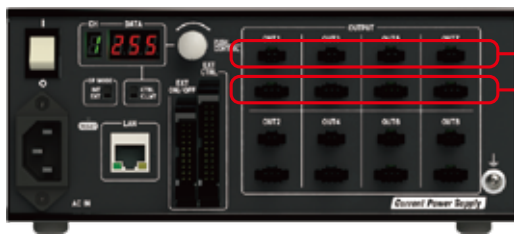
CE	PS E		
LAN	8bit	232C	0-5V

Allows direct connection of the IHV, IHVE, and IBF series without the need for a resistor box.  
 Simultaneous connection of constant voltage and constant current up to 12V and 1A is possible.



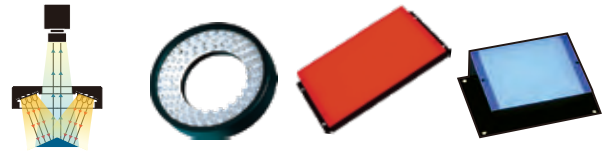
## Simultaneous Connection Of Constant Voltage And Constant Current Up To 12v And 1a Is Possible

You can directly connect our DC 12V-driven illuminations to the upper section of each channel, and current-controlled illuminations such as IHV, IHVE, and IBF series to the lower section.  
 If illuminations are connected to both the upper and lower sections simultaneously, the lower section takes priority in output.



### Applicable Illuminations

DC 12V-driven illuminations (IDR series, etc.)  
 There are limitations on the illuminations that can be connected.



### Applicable Illuminations

•IHV •IHVE •current-controlled illuminations such as IHV, IHVE, and IBF series



- Line illumination products
- Ring illumination products
- Bar illumination products
- Transmitted/area illumination products
- Dome illumination products
- Ceiling illumination products
- Special illumination products
- Kit products
- Controller products
- Other illumination products

IHV, IHVE, And IBF Series Can Be Connected Simultaneously Based On The Setting Of The Maximum Output Current.

As the maximum output current can be set independently for each channel in the range of 100 to 1,000mA, it allows the IHV series and IBF-LXS20 to simultaneously run at 350mA and the IHVE and IBF series to do so at 700mA. The output control range can be varied in 256 levels from 0mA to the set maximum output current.

Controller Specifications

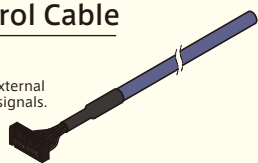
Control Method	Current-Variable Control System
Input Voltage	100-240V AC
Output Voltage	Max. 12V DC
Output Current	0mA to maximum output current
Maximum output current	100 to 1000mA (Variable in 10mA increments per channel)
External ON/OFF Control	Independent control per channel
Protection Functions	Output open, short-circuit detection, overcurrent, no load, FAN error

Model	Channel Number	External ON/OFF control
IDCA-1000M8-VI	8CH	0-5V Analog
IDCA-1000M8-PI		8-bit parallel
IDCA-1000M8-S2		RS-232C communication
IDCA-1000M8-TP		LAN communication

External ON/OFF Control Cable

IC-MIL-20 Series

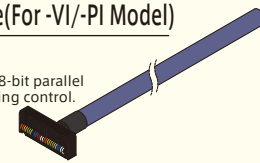
This is the control cable used for inputting external ON/OFF signals and outputting error status signals. please use the IC-MIL-20 series for using external ON/OFF control.



External Dimming Control Cable(For -VI/-PI Model)

IC-MIL-26 Series

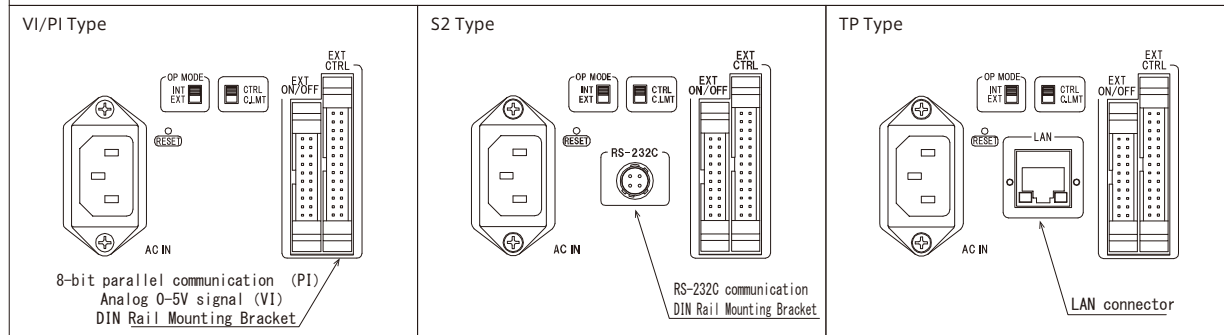
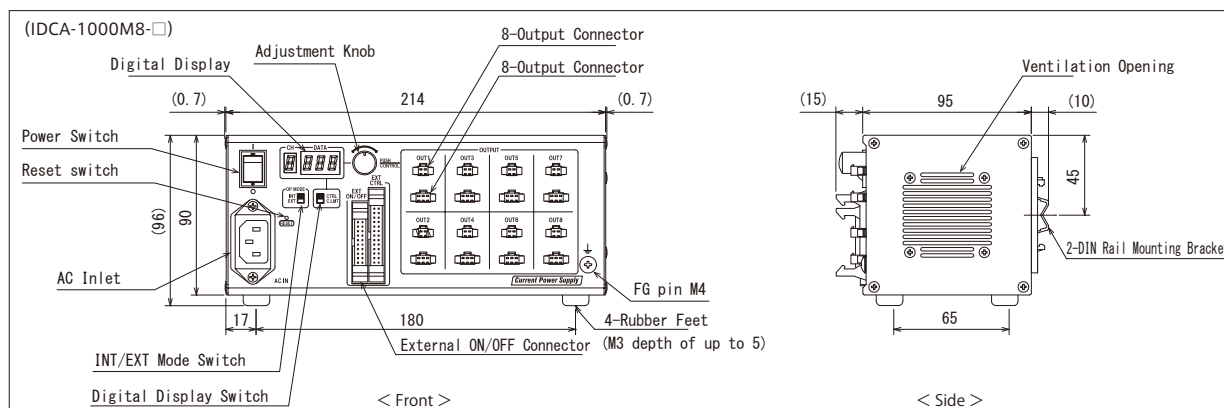
This is the control cable used for inputting 8-bit parallel and analog 0-5V signals for external dimming control. please use the IC-MIL-26 series for using external dimming control with IDCA-1000M8-VI or IDCA-1000M8-PI.



External Dimming Control Cable(For -S2 Model)

IC-MCS2-C01 Series

This is the control cable used for inputting RS-232C signals for external dimming control. please use the IC-MCS2-C01 series for using external dimming control with IDCA-1000M8-S2PI.



\*The symbol for the type of external control (VI: Analog 0-5V, PI: 8bit parallel, S2: RS-232C communication, TP: LAN communication.) is indicated by □ in the model table.

Line illumination products

Ring illumination products

Bar illumination products

Transmitted/area illumination products

Dome illumination products

Special illumination products

for products

Controller products

for products

for products

- IDBB-LSRF
- IDBC-LSR
- IDBB-LSRH
- IDBB-LSRA
- IDBB-LSRS
- IDBC-LSRC
- IDBB-LSRC
- IDBC-RE
- IDBB-RE
- IDBA-RK
- IQDH-RE
- IMAR-D\_8ch
- IDR-LA-8ch
- IDRA-T-8ch
- IMAR-D
- IMAR-CT D
- IHR-LE
- IHRB · IHRA
- IDR-F
- IDR-F33/16
- IDR
- IDR-LA
- IDRA-T
- IFR · IPR
- IDBA-HM
- IDBA-HMS
- IDBA-HMS-IR
- IDBA-FD
- IDBA-LEH2
- IDBA-LEH
- IDBA-LE
- IDBA-SE
- IDBA-SL
- IDBA
- IDBA-Q
- IFLA · IFLB
- IDHM
- IHMA
- IHMA-V
- IFPA
- IFD
- IFD-IR
- IHMA-40D
- IFPA-D
- IPQC
- IFHA
- IDDB-KH · IDDA-KH
- IDD
- IDD-CB
- IQD · IQDH
- IQDA-CB
- IFVA · IFVB
- IFVA-ST
- IFV
- IV-14 · IV-30
- IHV-20 · IHVE-21
- IHVA-SP · IHSL-SP
- IBF
- IHV-FX
- RBOX
- IDBB-CH
- IDHRA
- UV-CAN
- Infrared
- Infrared
- IMAR-RGB
- IDDA-KH-RGB
- RGB Full-color
- ISU
- ISS
- Introduction of Customization
- High-speed synchronous imaging camera products
- ISC-24
- Image capture evaluation kit products
- IDMU
- ILP
- ILC
- ILV
- ILS
- IPPA\_G · IRPA\_G
- IPSA · IPPA
- IDGC
- IDPA
- IDCA
- IMC
- IWDV-24
- IWDV(S)-48
- ISC
- IJS
- IUS-30M2-TP/SS
- ILS-40M2-PI/SS
- SAG
- SLUB
- LLUB
- IFIC