

DC 24V Output Constant Voltage Dimming Controller

High-speed Switching Strobe Controller For Multiple Line Illumination [ISC Series]

Ideal for fast switching of multiple illuminations with a single line scan camera
Realized μ s-order switching up to 2 line illumination units.

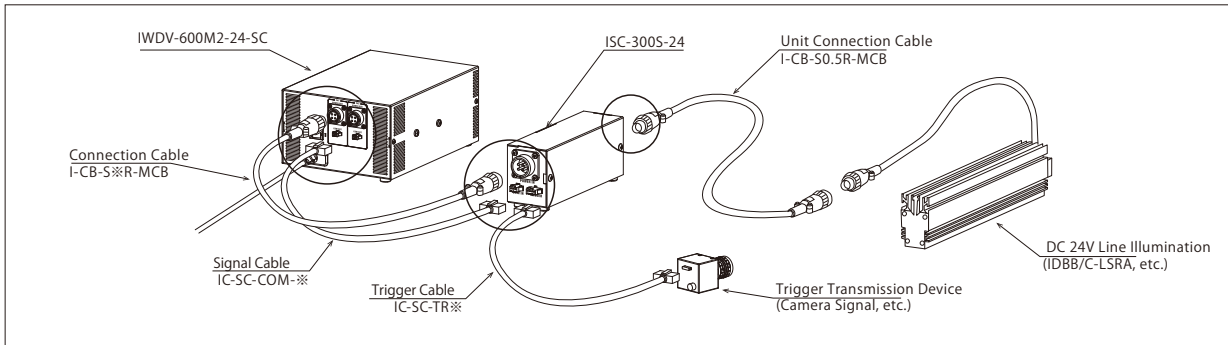
DC24V
LAN

An ideal high-speed ON/OFF controller for rapidly switching illumination in line scan applications. Two trigger control units could be connected, enabling lighting in the μ s-order.



- Despite its high capacity, it supports high-speed ON/OFF in 3 μ s or less.
- Optimal for line scan cameras and high-speed shutter cameras due to variable-voltage control.
- High-speed toggling illumination with a maximum cycle of 50kHz.
- Edge mode / Level mode, two modes external ON/OFF control can be selected.

Configuration Example



Strobe Responsiveness



Even at 50kHz, each illumination responds quickly and without any delay.

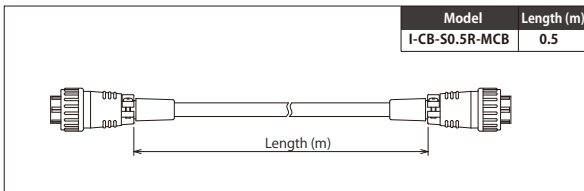
Line illumination products
Ring illumination products
Bar illumination products
Transmitted/area illumination products
Dome illumination products
Special illumination products
KIT products
Controller products
Other illumination products

IDBB-LSRF
IDBC-LSR
IDBB-LSRH
IDBB-LSRA
IDBB-LSRS
IDBC-LSRC
IDBB-LSRC
IDBC-RE
IDBB-RE
IDBA-RK
IQDH-RE
IMAR-D_8ch
IDR-LA-8ch
IDRA-T-8ch
IMAR-D
IMAR-CT D
IHR-LE
IHRB · IHRA
IDR-F
IDR-F33/16
IDR
IDR-LA
IDRA-T
IFR · IPR
IDBA-HM
IDBA-HMS
IDBA-HMS-IR
IDBA-FD
IDBA-LEH2
IDBA-LEH
IDBA-LE
IDBA-SE
IDBA-SL
IDBA
IDBA-Q
IFLA · IFLB
IDHM
IHMA
IHMA-V
IFPA
IFD-IR
IHMA-40D
IFPA-D
IPOC
IFHA
IDDB-KH · IDDA-KH
IDUB
IDD
IDD-CB
IQD · IQDH
IQDA-CB
IFVA · IFVB
IFVA-ST
IFV
IV-14 · IV-30
IHV-20 · IHVE-21
IHVA-SP · IHSL-SP
IBF
IHV-FX
RBOX
IDBB-CH
IDHRA
UV-CAN
Infrared
Infrared
IMAR-RGB
IDDA-KH-RGB
RGB Full-color
ISU
ISS
Introduction of Customization
High-speed synchronous image capture kit products
ISC-24
Image capture evaluation kit products
IDMU
ILP
ILC
ILV
ILS
IPPA_G · IRPA_G
IPSA · IPPA
IDGC
IDPA
IDCA
IMC
IWDV-24
IWDV(S)-48
ISC
JS
JS-30M2-TP/SS
ILS-40M2-PI/SS
SAG
SLLUB
LLUB
IFIC

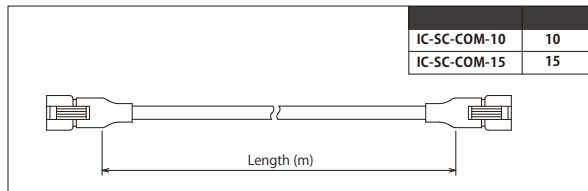
Item	Controller unit	Trigger control unit
Model	IWDV-600M2-24-SC	ISC-300S-24
Control Method	Variable-voltage System	—
Input Power	AC100~240V 820VA 50/60Hz	Powered by IWDV-600M2-24-SC
Rated Output	DC24V	DC24V
Capacity	Total 600W (300W/CH)	300W
Output Voltage Variable Range	H model:DC13~24V 1,000 Levels H.H model:DC15.5~24V 1,000 Levels	—
Number Of Output Channels	2CH	1CH
External Control	External Dimmng Control (LAN communication)	External Dimmng Control (Controlled by IWDV-600M2-24-SC) External ON/OFF Control
External Trigger	—	LVC MOS、LV TTL、TTL (Input Voltage Max. 5V)
External Trigger Mode	—	Level/Edge/Continuous
Variable Range Of Strobe Pulse Width	—	Edge Mode: 1 ~ 20μs Level Mode: Synchronized with the ON signal input time.
Setting Range For The Delay Time	—	0~5,000 μs
Responsiveness of Variable-voltage	Min.Dimmng→Max.Dimmng:Less than 60ms Max.Dimmng→Min.Dimmng:Less than 650ms	—
Responsiveness of External Trigger	—	OFF → ON: 3μs or less ON → OFF: 1μs or less
Exterior Diagram	1	2

★ Please note that 2 types of extension cables (I-CB-S■R-MCB / I-CB-S0.5R-MCB) and communication extension cable(IC-SC-COM-▼) is necessary for use.
 ★ When using an external trigger input, the Trigger Cable (IC-SC-TR▲) is required. The response time to the external trigger varies depending on the length of the Trigger Cable.
 ★ ■,▼,▲: the length(m) of the cable

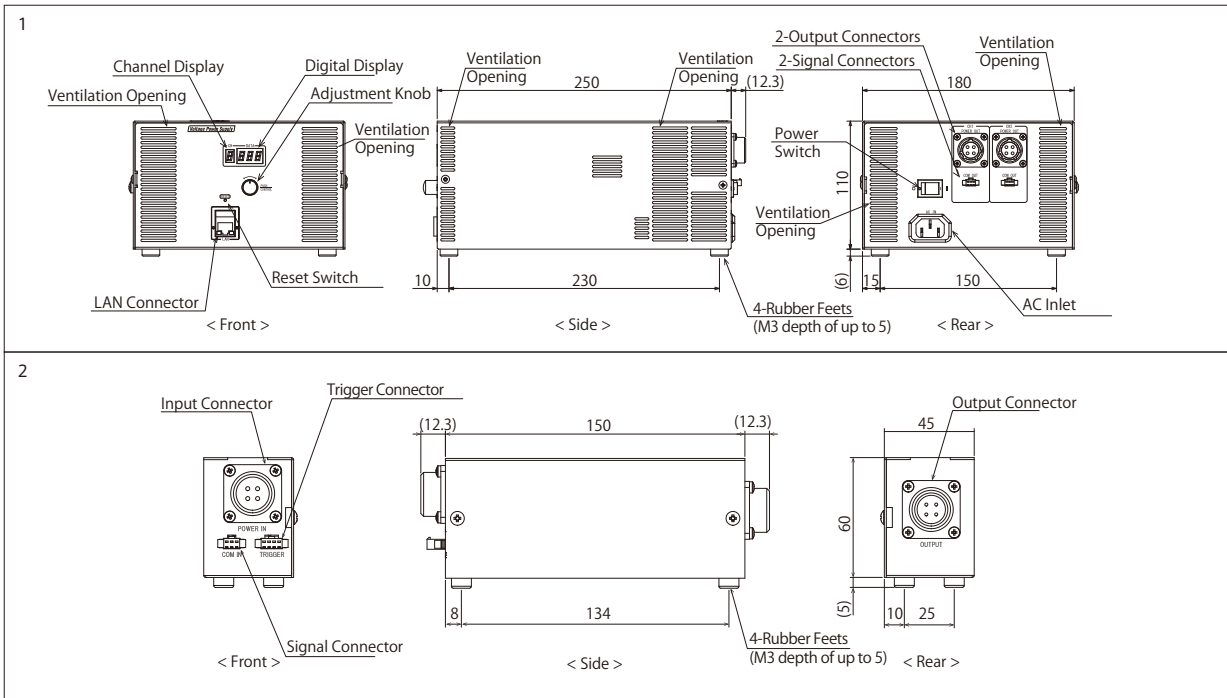
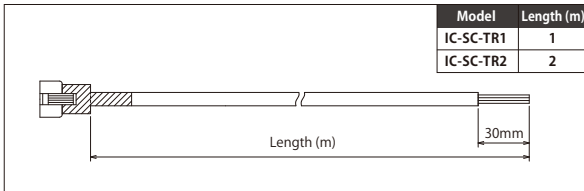
Illumination Connection Cable(With ISC-300S-24)



Signal Cable



Trigger Cable



Line illumination products
 Ring illumination products
 Bar illumination products
 Dome illumination products
 Special illumination products
 Other products
 Controller products
 Other illumination products

- IDBB-LSRF
- IDBC-LSR
- IDBB-LSRH
- IDBB-LSRA
- IDBB-LSRS
- IDBC-LSRC
- IDBB-LSRC
- IDBC-RE
- IDBB-RE
- IDBA-RK
- IQDH-RE
- IMAR-D_8ch
- IDR-LA-8ch
- IDRA-T-8ch
- IMAR-D
- IMAR-CT D
- IHR-LE
- IHRB · IHRA
- IDR-F
- IDR-F33/16
- IDR
- IDR-LA
- IDRA-T
- IFR · IPR
- IDBA-HM
- IDBA-HMS
- IDBA-HMS-IR
- IDBA-FD
- IDBA-LEH2
- IDBA-LEH
- IDBA-LE
- IDBA-SE
- IDBA-SL
- IDBA
- IDBA-Q
- IFLA · IFLB
- IDHM
- IHMA
- IHMA-V
- IFPA
- IFD
- IFD-IR
- IHMA-40D
- IFPA-D
- IPQC
- IFHA
- IDDB-KH · IDDA-KH
- IDUB
- IDD
- IDD-CB
- IQD · IQDH
- IQDA-CB
- IFVA · IFVB
- IFVA-ST
- IFV
- IV-14 · IV-30
- IHV-20 · IHVE-21
- IHVA-SP · IHSL-SP
- IBF
- IHV-FX
- RBOX
- IDBB-CH
- IDHRA
- UV-CAN
- Infrared
- Infrared
- IMAR-RGB
- IDDA-KH-RGB
- RGB Full-color
- ISU
- ISS
- Introduction of Customization
- High speed synchronous imaging camera products
- ISC-24
- Image capture evaluation kit products
- IDMU
- ILP
- ILC
- ILV
- ILS
- IPPA_G · IRPA_G
- IPSA · IPPA
- IDGC
- IDPA
- IDCA
- IMC
- IWDV-24
- IWDV(S)-48
- ISC
- IJS
- IJS-30M2-TP/SS
- IJS-40M2-PI/SS
- SAG
- SLUB
- LLUB
- IFIC