

Special Digital Overdrive Controller

ISS Seires Illumination Dedicated Overdrive Controller [IJS-30M2-TP/SS]

Super overdrive controller ideal for ISS illumination operation



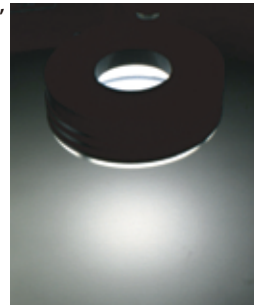
Dedicated overdrive controller for super-bright illumination - ISS Series. Suitable for use in AC-powered environment.

- Ideal for ultra high-speed motion imaging applications, as they allow easy synchronization of LED illumination and camera exposure timing.
- LAN communication model with two channels to connect ISS Series illuminations. You can connect up to two units of 1-channel specification illumination or one unit of 2-channel specification illumination.

Super Overdrive Irradiation

Compared to the continuous illumination (steady light) of regular LED lights, the ISS Series illumination can emit light in a super-overdrive mode, achieving an instantaneous light output several tens of times brighter. It provides several times more light intensity compared to traditional overdrive lighting.

In scenes requiring high light intensity synchronized with camera imaging, especially for inspecting fast-moving objects or fly capture, it is an ideal choice.

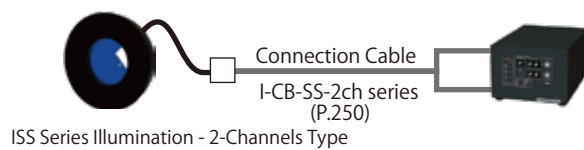
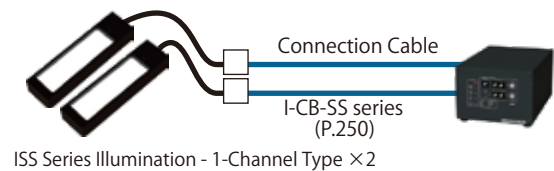
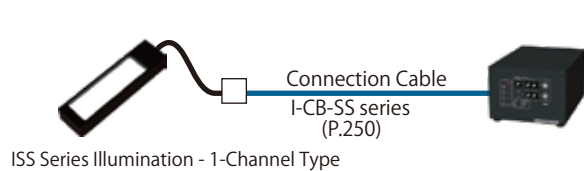


<Continuous Lighting>



< Super-overdrive irradiation by ISS Series >

Connection Example with Illumination



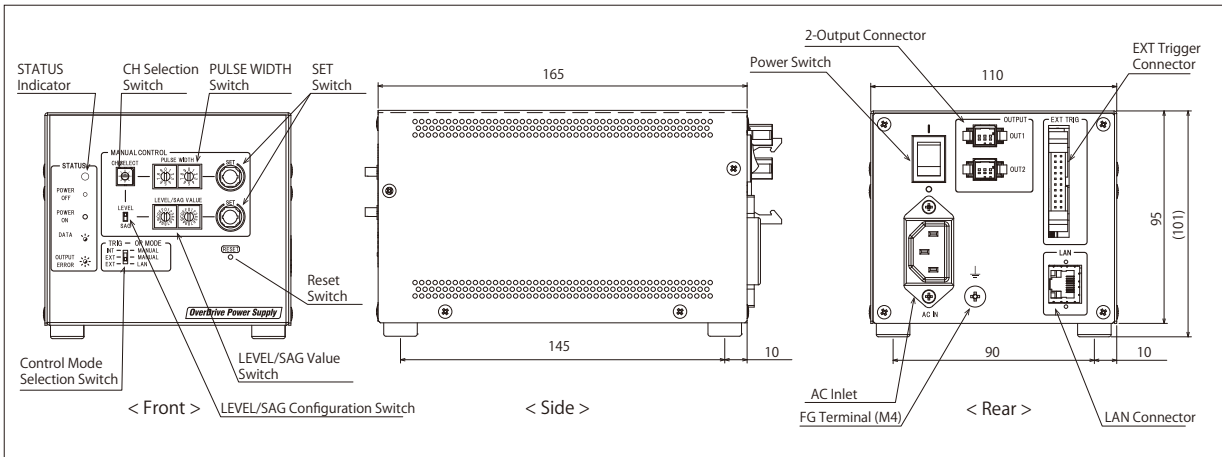
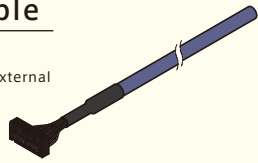
- IDBB-LSRF
- IDBC-LSR
- IDBB-LSRH
- IDBB-LSRA
- IDBB-LSRS
- IDBC-LSRC
- IDBB-LSRC
- IDBC-RE
- IDBB-RE
- IDBA-RK
- IQDH-RE
- IMAR-D_8ch
- IDR-LA-8ch
- IDRA-T-8ch
- IMAR-D
- IMAR-CT D
- IHR-LE
- IHRB · IHRA
- IDR-F
- IDR-F33/16
- IDR
- IDR-LA
- IDRA-T
- IFR · IPR
- IDBA-HM
- IDBA-HMS
- IDBA-HMS-IR
- IDBA-FD
- IDBA-LEH2
- IDBA-LEH
- IDBA-LE
- IDBA-SE
- IDBA-SL
- IDBA
- IDBA-Q
- IFLA · IFLB
- IDHM
- IHMA
- IHMA-V
- IFPA
- IFD
- IFD-IR
- IHMA-40D
- IFPA-D
- IPOC
- IFHA
- IDDB-KH · IDDA-KH
- IDUB
- IDD
- IDD-CB
- IQD · IQDH
- IQDA-CB
- IFVA · IFVB
- IFVA-ST
- IFV
- IV-14 · IV-30
- IHV-20 · IHVE-21
- IHVA-SP · IHSL-SP
- IBF
- IHV-FX
- RBOX
- IDBB-CH
- IDHRA
- UV-CAN
- Infrared
- Infrared
- IMAR-RGB
- IDDA-KH-RGB
- RGB Full-color
- ISU
- ISS
- Introduction of Customization
- High-speed and high-resolution camera light products
- ISC-24
- Image capture evaluation kit products
- Kit products
- IDMU
- ILP
- ILC
- ILV
- ILS
- IPPA_G · IRPA_G
- IPSA · IPPA
- IDGC
- IDPA
- IDCA
- IMC
- IWDV-24
- IWDV(S)-48
- ISC
- IJS
- IJS-30M2-TP/SS
- ILS-40M2-PI/SS
- SAG
- SLLUB
- LLUB
- IFIC

Model	IJS-30M2-TP/SS
Number of Outpt Channels	2CH
Input Power	AC100~240V 67VA 50/60Hz
Output Voltage Upper Limit (SAG)	DC 10 to 36V (256-step variable output voltage)
Output Current	8.6Ao-p / CH
Pulse Width Setting	Internal Trigger: 100Hz Fixed External Trigger: 0 μ s、10 μ s~99 μ s (in 1 μ s step)
Variable-voltage Output Range	Variable in 256 steps within the range of Min. output (approx. 10V) to the output voltage upper limit (SAG value)
Variable Delay Range	Range of 0 to 5,000 μ s at 1 μ s Intervals (External Control Mode Only, 0 μ s Fixed in Internal Control Mode)
External Trigger Responsiveness	Less than 2.5 μ s (within 0.9 μ s at approx. 10V, within 2.5 μ s at approx. 36V)
Variable-voltage Output Responsiveness	"00" \rightarrow "FF": Less than 200ms "FF" \rightarrow "00": Less than 1s
Internal Control Function	Variable output voltage and pulse width by switch operation
External Control Function	Variable output voltage and pulse width by LAN communication (TCP/IP)
Synchronization Control Function	Synchronization control by external trigger
Protection Function	Sequential output, Short Circuit Detection Function & Interlock Function (Disabling trigger signal when the pulse duty exceeds 1%)

External Trigger Cable

IC-MIL-20 Series

This is the cable used for inputting the external trigger signal in the IJS-30M2-TP/SS.



Line illumination products

Ring illumination products

Bar illumination products

Transmitted/area illumination products

Dome illumination products

Special illumination products

IR products

Controller products

IR products

IR products

- IDBB-LSRF
- IDBC-LSR
- IDBB-LSRH
- IDBB-LSRA
- IDBB-LSRS
- IDBC-LSRC
- IDBB-LSRC
- IDBB-RE
- IDBB-RE
- IDBA-RK
- IQDH-RE
- IMAR-D_8ch
- IDR-LA-8ch
- IDRA-T-8ch
- IMAR-D
- IMAR-CT D
- IHR-LE
- IHRB · IHRA
- IDR-F
- IDR-F33/16
- IDR
- IDR-LA
- IDRA-T
- IFR · IPR
- IDBA-HM
- IDBA-HMS
- IDBA-HMS-IR
- IDBA-FD
- IDBA-LEH2
- IDBA-LEH
- IDBA-LE
- IDBA-SE
- IDBA-SL
- IDBA
- IDBA-Q
- IFLA · IFLB
- IDHM
- IHMA
- IHMA-V
- IFPA
- IFD
- IFD-IR
- IHMA-40D
- IFPA-D
- IPQC
- IFHA
- IDDB-KH · IDDA-KH
- IDUB
- IDD
- IDD-CB
- IQD · IQDH
- IQDA-CB
- IFVA · IFVB
- IFVA-ST
- IFV
- IV-14 · IV-30
- IHV-20 · IHVE-21
- IHVA-SP · IHSL-SP
- IBF
- IHV-FX
- RBOX
- IDBB-CH
- IDHRA
- UV-CAN
- Infrared
- Infrared
- IMAR-RGB
- IDDA-KH-RGB
- RGB Full-color
- ISU
- ISS
- Introduction of Customization
- High-speed synchronous imaging stereo kit products
- ISC-24
- Image capture evaluation kit products
- IDMU
- ILP
- ILC
- ILV
- ILS
- IPPA_G · IRPA_G
- IPSA · IPPA
- IDGC
- IDPA
- IDCA
- IMC
- IWDV-24
- IWDV(S)-48
- ISC
- IJS
- IJS-30M2-TP/SS
- ILS-40M2-PI/SS
- SAG
- SLUB
- LLUB
- IFC