

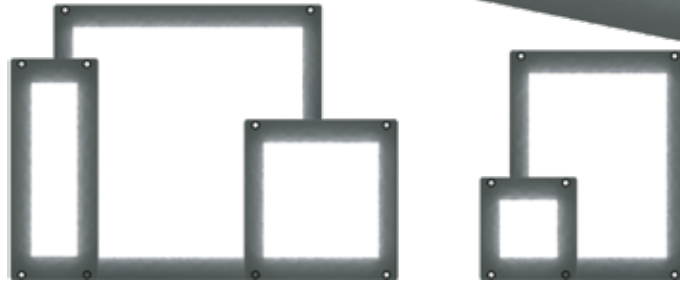
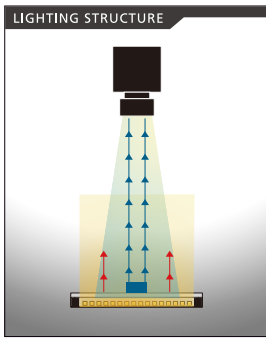
NEW

IP65-Rated · Slim Design High Brightness and Uniform Surface Illumination [SLLUB Series]

high-illuminance surface illumination with 150,000cd/m² or more.
Ultra-slim 8.5mm design, space-saving, and IP65 standard compliant.
Experience unique optical design with narrow-angle light distribution.



- Applications**
- Connector manufacturing industry, etc.
 - Measurement of connector pin pitch, etc.
 - LCD industry, etc.
 - Mark Inspection and Data Code Recognition, etc.



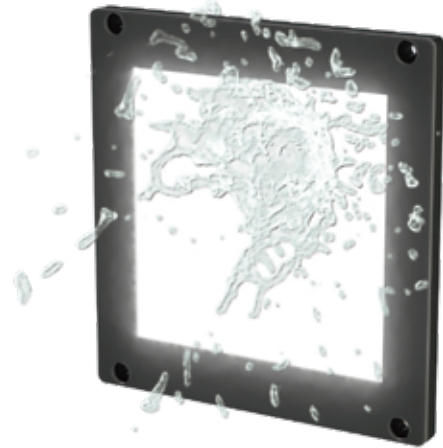
Standard Size Lineup Standard release in 5 sizes: □50/□100/□200/150x40/160x120mm².

Ultra-Bright Edgelit LED Illumination(Ref. Values)

Compared to the LLUB series of the same color and size, the brightness of this product is approximately 1.5 to 4 times higher, boasting an ultra-bright illumination.

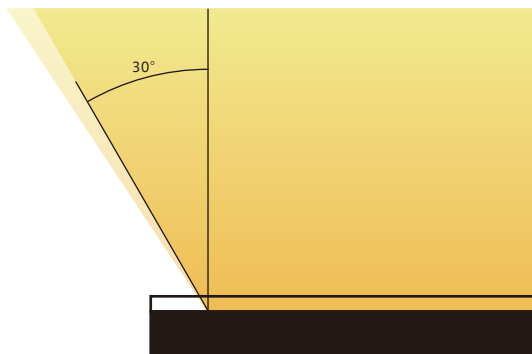
Emitting Surface Size(mm)	SLLUB Series (cd/m ²)	LLUB Series (cd/m ²)
□50	152,000	100,000
□100	90,000	90,000
□200	45,000	55,000
150x40	100,000	53,000
160x120	34,000	60,000

Standard IP65 waterproof and Dustproof Protection.



This product boasts a high level of dust and waterproof protection with an IP65 rating. An IP65 rating means it is protected from dust ingress and can withstand direct water jets from any direction without being affected. It is suitable for use in environments where water is regularly used.

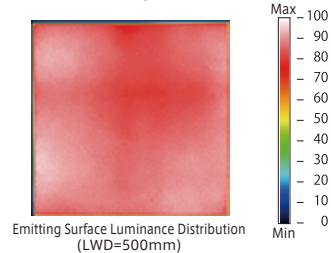
30° Narrow-angle Light Distribution



The SLLUB series, just like the LLUB series, features a narrow beam angle of 30°, providing precise illumination. With reduced light spillage, it enables clear edge detection.

High Uniformity

PHLOX-LEDW-BL-100×100-SLLUB-Q-1R-24V



A wider illumination area can be captured due to high-uniform illumination to the periphery.

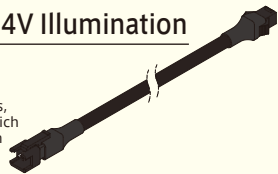
- IDBB-LSRF
- IDBC-LSR
- IDBB-LSRH
- IDBB-LSRA
- IDBB-LSRS
- IDBC-LSRC
- IDBB-LSRC
- IDBC-RE
- IDBB-RE
- IDBA-RK
- IQDH-RE
- IMAR-D_8ch
- IDR-LA-8ch
- IDRA-T-8ch
- IMAR-D
- IMAR-CT D
- IHR-LE
- IHRB · IHRA
- IDR-F
- IDR-F33/16
- IDR
- IDR-LA
- IDRA-T
- IFR · IPR
- IDBA-HM
- IDBA-HMS
- IDBA-HMS-IR
- IDBA-FD
- IDBA-LEH2
- IDBA-LEH
- IDBA-LE
- IDBA-SE
- IDBA-SL
- IDBA
- IDBA-Q
- IFLA · IFLB
- IDHM
- IHMA
- IHMA-V
- IFPA
- IFD
- IFD-IR
- IHMA-40D
- IFPA-D
- IPQC
- IFHA
- IDDB-KH · IDDA-KH
- IDUB
- IDD
- IDD-CB
- IQD · IQDH
- IQDA-CB
- IFVA · IFVB
- IFVA-ST
- IFV
- IV-14 · IV-30
- IHV-20 · IHVE-21
- IHVA-SP · IHSL-SP
- IBF
- IHV-FX
- RBOX
- IDBB-CH
- IDHRA
- UV-CAN
- Infrared
- Infrared
- IMAR-RGB
- IDDA-KH-RGB
- RGB Full-color
- ISU
- ISS
- Introduction of Customization
- High-speed and high-precision color IC products
- ISC-24
- Image capture evaluation kit products
- IDMU
- ILP
- ILC
- ILV
- ILS
- IPPA_G · IRPA_G
- IPSA · IPPA
- IDGC
- IDPA
- IDCA
- IMC
- IWDV-24
- IWDV(S)-48
- ISC
- IJS
- IJS-30M2-TP/SS
- ILS-40M2-PI/SS
- SAG
- SLLUB
- LLUB
- IFIC

Model	Color	Power Consumption(W)	Input Voltage	Applicable Controller	Exterior Diagram
PHLOX-LEDW-BL-50x50-SLLUB-Q-1R-24V-SM-V2	W	10.8	DC24V	IDMU-24 series (P.193) ILP-60M2-24(P.197) IDGC-24 series (P.209)	1
PHLOX-LEDW-BL-100x100-SLLUB-Q-1R-24V-SM-V2	W	21.6			2
PHLOX-LEDW-BL-200x200-SLLUB-Q-1R-24V-SM	W	48			3
PHLOX-LEDW-BL-150x40-SLLUB-Q-1R-24V-SM	W	16.8			4
PHLOX-LEDW-BL-160x120-SLLUB-Q-1R-24V-SM	W	28.8			5

Extension Cable For DC24V Illumination

I-CB-S_24 Series

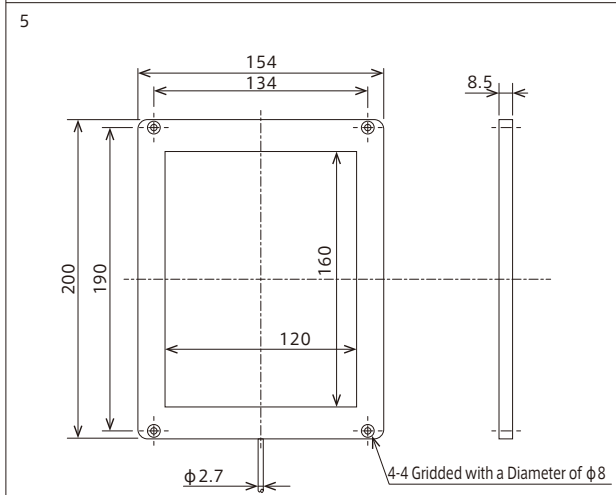
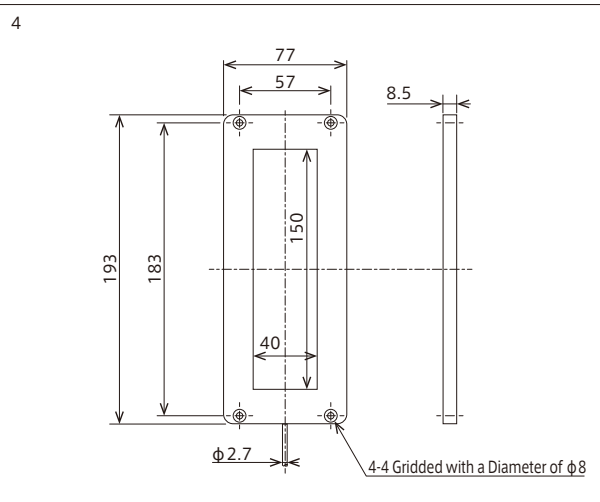
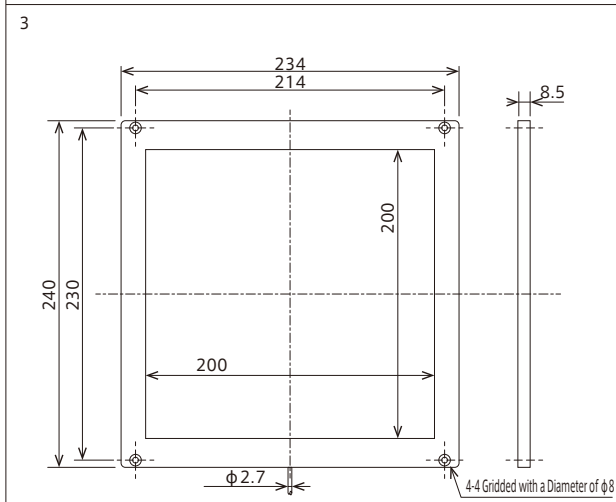
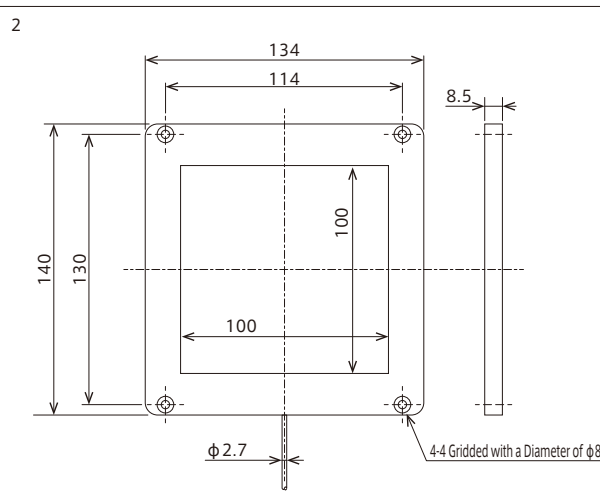
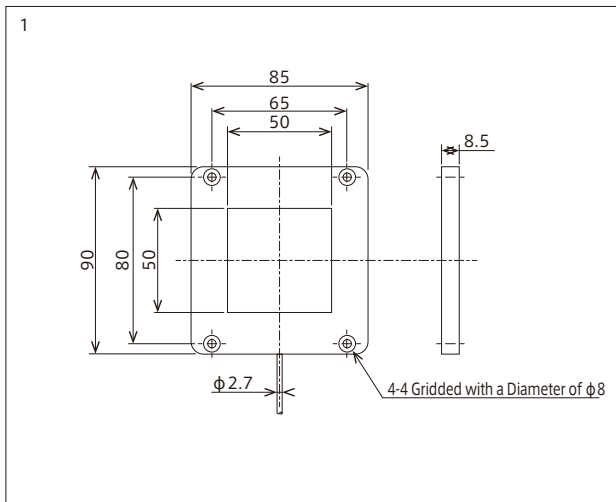
When used for moving parts such as robots, please use the I-CB-S_R-24-C02 series, which manufactured with robust robot cable with high flexibility.



Recommended Digital Controller(PWM Control)

IDMU-24 Series

Output control: 1,000 Levels
Compact PWM controller with DC24V input voltage, ideal for installation inside panels
Expandable up to 40 channels by linking units
Equipped with programming and camera trigger output functions, making it versatile.



- Line illumination products
 - IDBB-LSRF
 - IDBC-LSR
 - IDBB-LSRH
 - IDBB-LSRA
 - IDBB-LSRS
 - IDBC-LSRC
 - IDBB-LSRC
 - IDBC-RE
 - IDBB-RE
 - IDBA-RK
 - IQDH-RE
 - IMAR-D_8ch
 - IDR-LA-8ch
 - IDRA-T-8ch
 - IMAR-D
 - IMAR-CT D
 - IHR-LE
 - IHRB · IHRA
 - IDR-F
 - IDR-F33/16
 - IDR
 - IDR-LA
 - IDRA-T
 - IFR · IPR
 - IDBA-HM
 - IDBA-HMS
 - IDBA-HMS-IR
 - IDBA-FD
 - IDBA-LEH2
 - IDBA-LEH
 - IDBA-LE
 - IDBA-SE
 - IDBA-SL
 - IDBA
 - IDBA-Q
 - IFLA · IFLB
 - IDHM
 - IHMA
 - IHMA-V
 - IFPA
 - IFD
 - IFD-IR
 - IHMA-40D
 - IFPA-D
 - IPQC
 - IFHA
 - IDDB-KH · IDDA-KH
 - IDUB
 - IDD
 - IDD-CB
 - IQD · IQDH
 - IQDA-CB
 - IFVA · IFVB
 - IFVA-ST
 - IFV
 - IV-14 · IV-30
 - IHV-20 · IHVE-21
 - IHVA-SP · IHSL-SP
 - IBF
- Special illumination products
 - IHV-FX
 - RBOX
 - IDBB-CH
 - IDHRA
 - UV-CAN
 - Infrared
 - Infrared
 - IMAR-RGB
 - IDDA-KH-RGB
 - RGB Full-color
 - ISU
 - ISS
- Introduction of Customization
 - High-speed synchronous imaging camera products
 - ISC-24
 - Image capture evaluation kit products
- IR products
 - IDMU
 - ILP
 - ILC
 - ILV
 - ILS
- Controller products
 - IPPA_G · IRPA_G
 - IPSA · IPPA
 - IDGC
 - IDPA
 - IDCA
 - IMC
 - IWDV-24
 - IWDV(S)-48
 - ISC
 - IJS
 - IJS-30M2-TP/SS
 - ILS-40M2-PI/SS
- Other illumination products
 - SAG
 - SLLUB
 - LLUB
 - IFC