


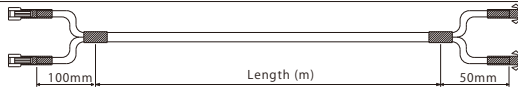
# OPTIONAL PARTS

## Extension/Connection Cable for Various Illumination

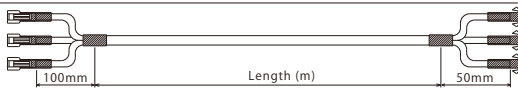
### Standard Extension Cable for SM Connector Illumination(DC 12V & DC 24V)

1-Channel Type (Single)		Model (12V)	Model (24V)	Length (m)	Model (12V)	Model (24V)	Length (m)
		I-CB-S1	I-CB-S1-24	1	I-CB-S4	I-CB-S4-24	4
		I-CB-S2	I-CB-S2-24	2	I-CB-S5	I-CB-S5-24	5
		I-CB-S3	I-CB-S3-24	3	I-CB-S10	I-CB-S10-24	10

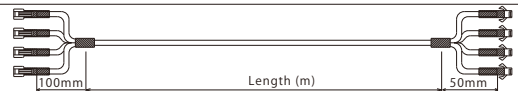
  

2-Channel Type (Double)		Model (12V)	Model (24V)	Length (m)	Model (12V)	Model (24V)	Length (m)
		I-CB-D1	I-CB-D1-24	1	I-CB-D4	I-CB-D4-24	4
		I-CB-D2	I-CB-D2-24	2	I-CB-D5	I-CB-D5-24	5
		I-CB-D3	I-CB-D3-24	3	I-CB-D10	I-CB-D10-24	10

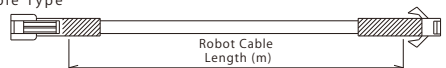
3-Channel Type (Triple)		Model (12V)	Model (24V)	Length (m)	Model (12V)	Model (24V)	Length (m)
		I-CB-T1	I-CB-T1-24	1	I-CB-T4	I-CB-T4-24	4
		I-CB-T2	I-CB-T2-24	2	I-CB-T5	I-CB-T5-24	5
		I-CB-T3	I-CB-T3-24	3	I-CB-T10	I-CB-T10-24	10

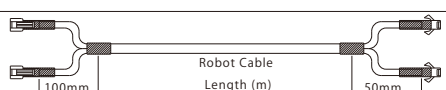
4-Channel Type (Quadruple)		Model (12V)	Model (24V)	Length (m)	Model (12V)	Model (24V)	Length (m)
		I-CB-F1	I-CB-F1-24	1	I-CB-F4	I-CB-F4-24	4
		I-CB-F2	I-CB-F2-24	2	I-CB-F5	I-CB-F5-24	5
		I-CB-F3	I-CB-F3-24	3	I-CB-F10	I-CB-F10-24	10

★ We also offer various other lengths apart from the ones mentioned above.

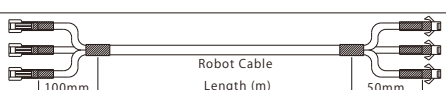
### Extension Robot Cable for SM Connector Illumination(DC 12V & DC 24V)

1 Channel Robot Cable Type (Single)		Model (12V)	Model (24V)	Length (m)	Model (12V)	Model (24V)	Length (m)
		I-CB-S1R-C02	I-CB-S1R-24-C02	1	I-CB-S4R-C02	I-CB-S4R-24-C02	4
		I-CB-S2R-C02	I-CB-S2R-24-C02	2	I-CB-S5R-C02	I-CB-S5R-24-C02	5
		I-CB-S3R-C02	I-CB-S3R-24-C02	3	I-CB-S10R-C02	I-CB-S10R-24-C02	10

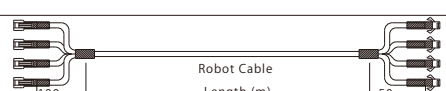
  

2-Channel Type (Double)		Model (12V)	Model (24V)	Length (m)	Model (12V)	Model (24V)	Length (m)
		I-CB-D1R-C02	I-CB-D1R-24-C02	1	I-CB-D4R-C02	I-CB-D4R-24-C02	4
		I-CB-D2R-C02	I-CB-D2R-24-C02	2	I-CB-D5R-C02	I-CB-D5R-24-C02	5
		I-CB-D3R-C02	I-CB-D3R-24-C02	3	I-CB-D10R-C02	I-CB-D10R-24-C02	10


3-Channel Type (Triple)		Model (12V)	Model (24V)	Length (m)	Model (12V)	Model (24V)	Length (m)
		I-CB-T1R-C02	I-CB-T1R-24-C02	1	I-CB-T4R-C02	I-CB-T4R-24-C02	4
		I-CB-T2R-C02	I-CB-T2R-24-C02	2	I-CB-T5R-C02	I-CB-T5R-24-C02	5
		I-CB-T3R-C02	I-CB-T3R-24-C02	3	I-CB-T10R-C02	I-CB-T10R-24-C02	10


4-Channel Type (Quadruple)		Model (12V)	Model (24V)	Length (m)	Model (12V)	Model (24V)	Length (m)
		I-CB-F1R-C02	I-CB-F1R-24-C02	1	I-CB-F4R-C02	I-CB-F4R-24-C02	4
		I-CB-F2R-C02	I-CB-F2R-24-C02	2	I-CB-F5R-C02	I-CB-F5R-24-C02	5
		I-CB-F3R-C02	I-CB-F3R-24-C02	3	I-CB-F10R-C02	I-CB-F10R-24-C02	10

★ We also offer various other lengths apart from the ones mentioned above.

### Standard Extension Cable for Coaxial/Spot Illumination (IHV, IHVE, IBF, IHV-FX, IHVA-SP30)

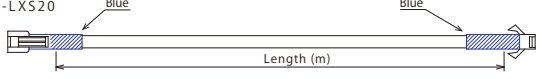
IHV / IBF-LXS20		Model	Length (m)	Model	Length (m)
		I-CB-S1-HV	1	I-CB-S4-HV	4
		I-CB-S2-HV	2	I-CB-S5-HV	5
		I-CB-S3-HV	3	I-CB-S10-HV	10


IHVE/IBF (Exclude IBF-LXS20)/IHV-FX / IHVA-SP30		Model	Length (m)	Model	Length (m)
		I-CB-S1-HV3W	1	I-CB-S4-HV3W	4
		I-CB-S2-HV3W	2	I-CB-S5-HV3W	5
		I-CB-S3-HV3W	3	I-CB-S10-HV3W	10

★ We also offer various other lengths apart from the ones mentioned above.

### Extension Robot Cable for Coaxial/Spot illumination (IHV, IHVE, IBF, IHV-FX, IHVA-SP30)

IHV / IBF-LXS20		Model	Length (m)	Model	Length (m)
		I-CB-S1R-HV-C02	1	I-CB-S4R-HV-C02	4
		I-CB-S2R-HV-C02	2	I-CB-S5R-HV-C02	5
		I-CB-S3R-HV-C02	3	I-CB-S10R-HV-C02	10

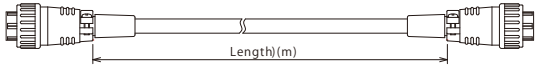
IHVE/IBF (Exclude IBF-LXS20)/IHV-FX / IHVA-SP30		Model	Length (m)	Model	Length (m)
		I-CB-S1R-HV3W-C02	1	I-CB-S4R-HV3W-C02	4
		I-CB-S2R-HV3W-C02	2	I-CB-S5R-HV3W-C02	5
		I-CB-S3R-HV3W-C02	3	I-CB-S10R-HV3W-C02	10

★ We also offer various other lengths apart from the ones mentioned above.

# OPTIONAL PARTS

## Extension/Connection Cable for Various Illumination

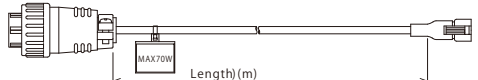
### Connection/Extension Cable for DC24V High Power Illumination (IDBC-LSR, IDBB-LSRA, IDBB-LSRS, IDBC-LSRC, IDBB-LSRC, IDBC-RE, IDBB-RE, IDBA-HM, IDBA-HMS, IDBA-LEH2, IDBA-LEH, IFPA, IFPA-D, IFD-IR)



Model	Length (m)	Model	Length (m)
I-CB-S1R-MCB	1	I-CB-S5R-MCB	5
I-CB-S2R-MCB	2	I-CB-S7R-MCB	7
I-CB-S3R-MCB	3	I-CB-S10R-MCB	10

★ We also offer various other lengths apart from the ones mentioned above.

### Connection/Extension Cable for DC24V High Power Illumination (IDBC-LSR, IDBB-LSRA, IDBB-LSRS, IDBC-LSRC, IDBB-LSRC, IDBC-RE, IDBB-RE, IDBA-HM, IDBA-HMS, IDBA-LEH2, IDBA-LEH, IFPA, IFPA-D, IFD-IR)

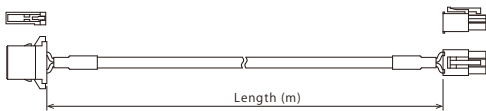


Model	Length (m)	Model	Length (m)
I-CB-S1R-MCB <sup>SM</sup>	1	I-CB-S5R-MCB <sup>SM</sup>	5
I-CB-S2R-MCB <sup>SM</sup>	2	I-CB-S7R-MCB <sup>SM</sup>	7
I-CB-S3R-MCB <sup>SM</sup>	3	I-CB-S10R-MCB <sup>SM</sup>	10

★ We also offer various other lengths apart from the ones mentioned above.

★ Please connect illumination with power consumption up to 70W.

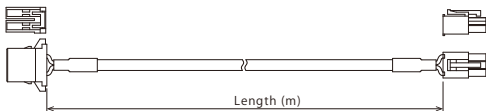
### Connection/Extension Cable for DC48V High Power Illumination (IDBA-RK, IDBA-FD, IFD)



Model	Length (m)	Model	Length (m)
I-CB-S1-DNEL	1	I-CB-S5-DNEL	5
I-CB-S2-DNEL	2	I-CB-S7-DNEL	7
I-CB-S3-DNEL	3	I-CB-S10-DNEL	10

★ We also offer various other lengths apart from the ones mentioned above.

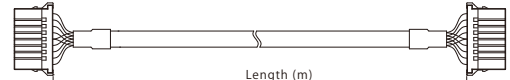
### Connection/Extension Cable for DC48V High Power Illumination (IQDH-RE)



Model	Length (m)	Model	Length (m)
I-CB-S1-DNEL2	1	I-CB-S5-DNEL2	5
I-CB-S2-DNEL2	2	I-CB-S7-DNEL2	7
I-CB-S3-DNEL2	3	I-CB-S10-DNEL2	10

★ We also offer various other lengths apart from the ones mentioned above.

### Connection/Extension Cable for DC48V High Power Illumination (IDBB-LSRH)

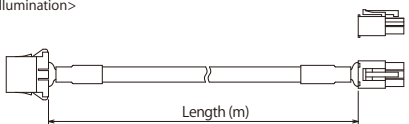


Model	Length (m)	Model	Length (m)
I-CB-S1-HDN	1	I-CB-S5-HDN	5
I-CB-S2-HDN	2	I-CB-S7-HDN	7
I-CB-S3-HDN	3	I-CB-S10-HDN	10

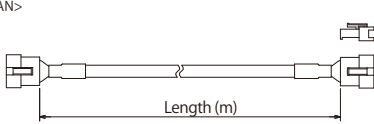
★ We also offer various other lengths apart from the ones mentioned above.

### Connection/Extension Cable Set for IDBB-LSRF Series (IDBB-LSRF)

< For Illumination >



< For FAN >

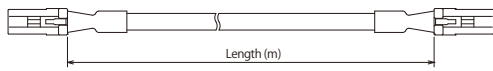


Model	Length (m)
I-CB-S1-FSET-DNEL	1
I-CB-S2-FSET-DNEL	2
I-CB-S3-FSET-DNEL	3
I-CB-S5-FSET-DNEL	5
I-CB-S7-FSET-DNEL	7
I-CB-S10-FSET-DNEL	10

# OPTIONAL PARTS

## Extension/Connection Cable for Various Illumination

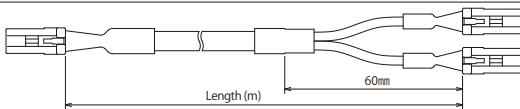
### Connection Cable for Super Overdrive Illumination [ISS Series (Excluding 2ch Model)]



Model	Length (m)	Model	Length (m)
I-CB-SS1	1	I-CB-SS5	5
I-CB-SS2	2	I-CB-SS7	7
I-CB-SS3	3	I-CB-SS10	10

★ We also offer various other lengths apart from the ones mentioned above.

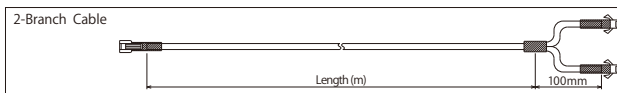
### Connection Cable for Super Overdrive Illumination (ISS Series (2ch Model))



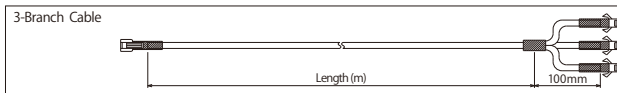
Model	Length (m)	Model	Length (m)
I-CB-SS1-2CH	1	I-CB-SS5-2CH	5
I-CB-SS2-2CH	2	I-CB-SS7-2CH	7
I-CB-SS3-2CH	3	I-CB-SS10-2CH	10

★ We also offer various other lengths apart from the ones mentioned above.

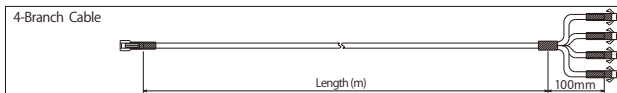
### 2/3/4-Branch Extension Cable



Model (12V)	Model (24V)	Length (m)	Model (12V)	Model (24V)	Length (m)
I-2M-1-100	I-2M-1-100-24	1	I-2M-4-100	I-2M-4-100-24	4
I-2M-2-100	I-2M-2-100-24	2	I-2M-5-100	I-2M-5-100-24	5
I-2M-3-100	I-2M-3-100-24	3	I-2M-10-100	I-2M-10-100-24	10



Model (12V)	Model (24V)	Length (m)	Model (12V)	Model (24V)	Length (m)
I-3M-1-100	I-3M-1-100-24	1	I-3M-4-100	I-3M-4-100-24	4
I-3M-2-100	I-3M-2-100-24	2	I-3M-5-100	I-3M-5-100-24	5
I-3M-3-100	I-3M-3-100-24	3	I-3M-10-100	I-3M-10-100-24	10

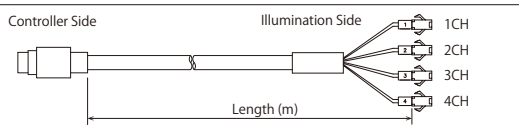


Model (12V)	Model (24V)	Length (m)	Model (12V)	Model (24V)	Length (m)
I-4M-1-100	I-4M-1-100-24	1	I-4M-4-100	I-4M-4-100-24	4
I-4M-2-100	I-4M-2-100-24	2	I-4M-5-100	I-4M-5-100-24	5
I-4M-3-100	I-4M-3-100-24	3	I-4M-10-100	I-4M-10-100-24	10

★ We also offer various other lengths apart from the ones mentioned above.

★ For branch cables, please ensure that the total power consumption does not exceed 30W for DC12V lighting and 70W for DC24V lighting. Additionally, make sure to check the capacity of the controller before making your selection.

### Dedicated Extension Cable For GigE Vision Compatible Controller / PoE Supported Control Unit (4ch specification)



This cable is intended for use with products featuring Mini-DIN connector output specifications, such as GigE Vision compatible controllers and PoE supported control units. One cable is included per controller.

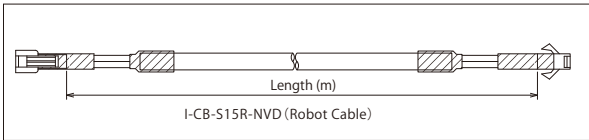
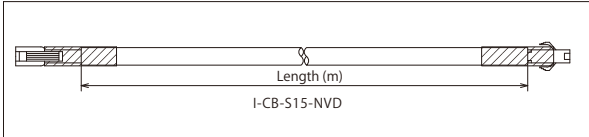
Model	Length (m)
I-4M-1-50-DIN	1

★ We also offer various other lengths apart from the ones mentioned above.

# OPTIONAL PARTS

## Extension/Connection Cable for Various Illumination

### Voltage Drop Prevention Cable



★ We also offer various other lengths apart from the ones mentioned above.

When extending the distance between the controller and the lighting by 10 meters or more, the output of the illumination may decrease due to the resistance within the cable. In that case, using the Voltage Drop Prevention Cable can help reduce voltage drop during long-distance extensions.

#### Used Illumination: IDHM-92 / 92GT

	Length (m)	Model	Output Attenuation Rate (%)
Without extension cable	0	—	0
Standard Cable	15	I-CB-S15	30
Robot Cable	15	I-CB-S15R-C02	35
Voltage Drop Prevention Cable	15	I-CB-S15-NVD	5
Voltage Drop Prevention Robot Cable	15	I-CB-S15R-NVD	5

\*Ref. Value.

### Standard Cable

Model (12V)	Model (24V)	Length (m)
I-CB-S10-NVD	I-CB-S10-24-NVD	10
I-CB-S15-NVD	I-CB-S15-24-NVD	15
I-CB-S20-NVD	I-CB-S20-24-NVD	20

### Robot Cable

Model (12V)	Model (24V)	Length (m)
I-CB-S10R-NVD	I-CB-S10R-24-NVD	10
I-CB-S15R-NVD	I-CB-S15R-24-NVD	15
I-CB-S20R-NVD	I-CB-S20R-24-NVD	20

### Cable Finished Outer Diameter and Minimum Bending Radius

Model	Finished Outer Diameter (mm)	Fixed Length (mm)	Flexible Length (mm)
General Illuminations Use Cable	3.1	12.4	—
	3.7	14.8	—
Special Illuminations Use Cable IDBA-SE-WP Series, IMAR-WP Series, IPQC series and IHR-LE series.	3.5	21	28
	4.6	18.4	—
I-2M-※-100	4.6	18.4	—
I-3M-※-100			
I-4M-※-100			
I-CB-S-※-HV	4	16	30
I-CB-S-※-R-HV-C02			
I-CB-S-※-HV3W			
I-CB-S-※-R-HV3W-C02	4	16	30

★ The "※" sign will be replaced with the length (in meters) of the cable.

★ If used in Flexible Length, please use robot cables. Other cables are not suitable for Flexible Length.

Model	Finished Outer Diameter (mm)	Fixed Length (mm)	Flexible Length (mm)
I-CB-S-※	4.6	18.4	—
I-CB-S-※-R-C02	4	16	30
I-CB-D-※	5.3	21.2	—
I-CB-D-※-R-C02	6.2	24.8	46.5
I-CB-T-※	6.5	26	—
I-CB-T-※-R-C02	6.7	26.8	50.25
I-CB-S-※-DNEL	6.2	37.2	—
I-CB-S-※-NVD	7.4	45	—
I-CB-S-※-R-NVD	7.3	43.8	43.8
I-CB-S-※-R-MCB	8.2	50	50