

# OPTIONAL PARTS

Optional Parts for Various Line Illuminations

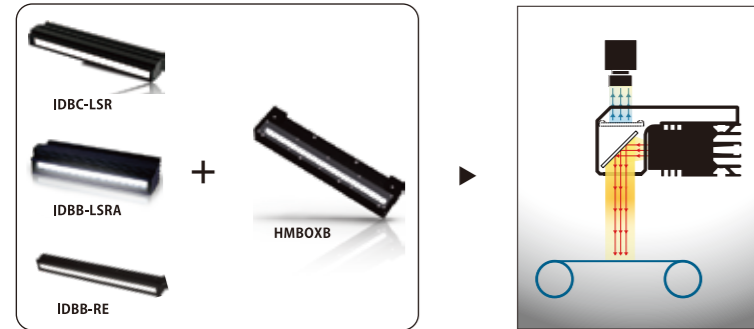
## External Coaxial Incident Unit For IDBC-LSR, IDBB-LSRA, IDBB-RE Series, etc.

Coaxial Incident Illumination Option Unit for Line Illuminations

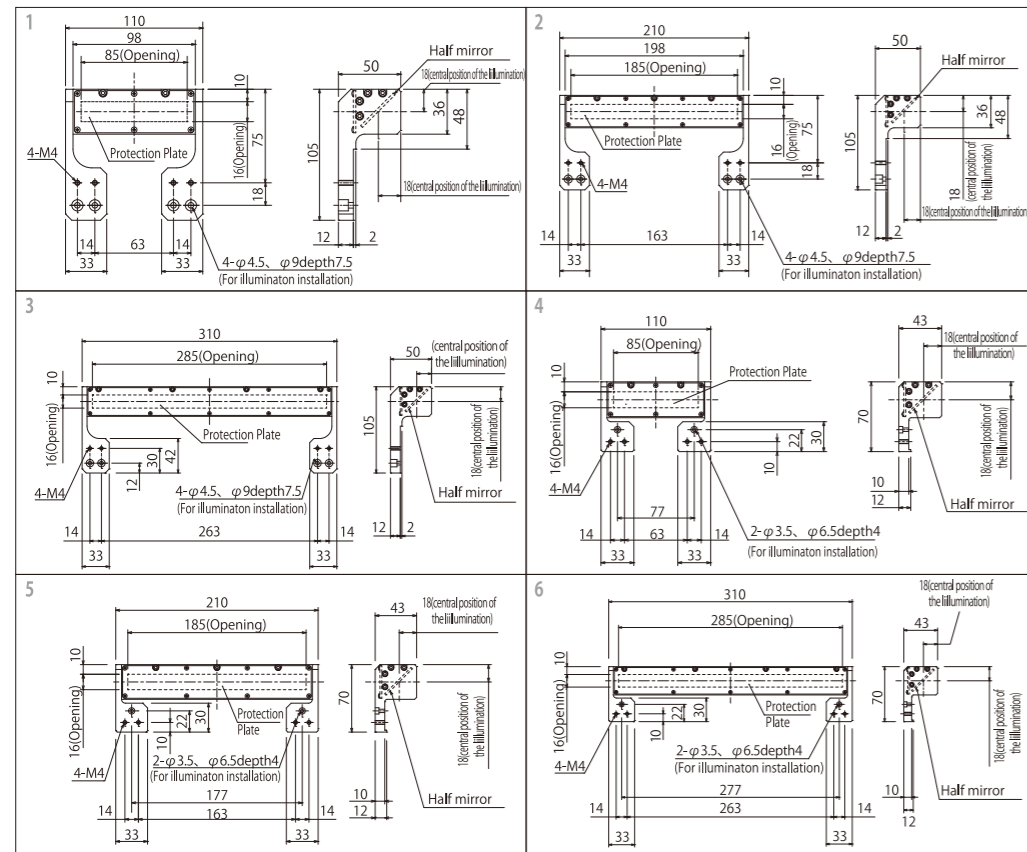
By combining it with this unit, high-intensity and high-contrast images can be obtained through positive reflection or backlighting.

Furthermore, it is suitable not only for positive reflection but also for detecting defects on curved surfaces, and it can be up to a standard maximum of 500mm in multiples of 100mm to suit specific applications.

By combining it with line illuminations, it creates a pseudo-coaxial illumination for line cameras.



Model	Applicable Illuminations	Exterior Diagram
HMBOXB-LSR100	IDBC-LSR100□, IDBB-LSRA100□	1
HMBOXB-LSR200	IDBC-LSR200□, IDBB-LSRA200□	2
HMBOXB-LSR300	IDBC-LSR300□, IDBB-LSRA300□	3
HMBOXB-LSR400	IDBC-LSR400□, IDBB-LSRA400□	-
HMBOXB-LSR500	IDBC-LSR500□, IDBB-LSRA500□	-
HMBOXB-RE100	IDBB-RE100□	4
HMBOXB-RE200	IDBB-RE200□	5
HMBOXB-RE300	IDBB-RE300□	6
HMBOXB-RE400	IDBB-RE400□	-
HMBOXB-RE500	IDBB-RE500□	-



# OPTIONAL PARTS

Optional Parts for Various Line Illuminations

## Condenser Lens For Line Illuminations/ILBB · ILBBH Series

Model	Applicable Illuminations
ILBB-100	IDBB-□100
ILBB-200	IDBB-□200
ILBB-300	IDBB-□300
ILBB-400	IDBB-□400
ILBB-500	IDBB-□500
ILBB-600	IDBB-□600
ILBB-700	IDBB-□700
ILBB-800	IDBB-□800
ILBB-900	IDBB-□900
ILBB-1000	IDBB-□1000

Model	Applicable Illuminations
ILBBH-100	IDBB-LSRH100
ILBBH-200	IDBB-LSRH200
ILBBH-300	IDBB-LSRH300
ILBBH-400	IDBB-LSRH400
ILBBH-500	IDBB-LSRH500
ILBBH-600	IDBB-LSRH600
ILBBH-700	IDBB-LSRH700
ILBBH-800	IDBB-LSRH800
ILBBH-900	IDBB-LSRH900
ILBBH-1000	IDBB-LSRH1000

★ In the model table, □ will be replaced with the series names of the line illuminations (LSRF=IDBB-LSRF, LSR=IDBC-LSR, LSRA=IDBB-LSRA, LSRC=IDBB/C-LSRC, etc.).  
★ Please specify whether you require a condenser lens or not.

## Diffusion Plate For Line Illuminations/ IKBB Series

■ Selectable transmissivity (Diffusion Angle)

Options with the same thickness at 90%, 80%, 60%, and 30% light transmittance are also available.

Model	Applicable Illuminations
IKBB-LSR100-80	IDBC-■100, IDBB-□100
IKBB-LSR200-80	IDBC-■200, IDBB-□200
IKBB-LSR300-80	IDBC-■300, IDBB-□300
IKBB-LSR400-80	IDBC-■400, IDBB-□400
IKBB-LSR500-80	IDBC-■500, IDBB-□500
IKBB-LSR600-80	IDBC-■600, IDBB-□600
IKBB-LSR700-80	IDBC-■700, IDBB-□700
IKBB-LSR800-80	IDBC-■800, IDBB-□800
IKBB-LSR900-80	IDBC-■900, IDBB-□900
IKBB-LSR1000-80	IDBC-■1000, IDBB-□1000
IKBB-LSR1100-80	IDBC-■1100, IDBB-□1100
IKBB-LSR1200-80	IDBC-■1200, IDBB-□1200
IKBB-LSR1300-80	IDBC-■1300, IDBB-□1300
IKBB-LSR1400-80	IDBC-■1400, IDBB-□1400
IKBB-LSR1500-80	IDBC-■1500, IDBB-□1500
IKBB-LSR1600-80	IDBC-■1600, IDBB-□1600
IKBB-LSR1700-80	IDBC-■1700, IDBB-□1700
IKBB-LSR1800-80	IDBC-■1800, IDBB-□1800

Model	Applicable Illuminations
IKBB-LSRH100-80	IDBB-LSRH100
IKBB-LSRH200-80	IDBB-LSRH200
IKBB-LSRH300-80	IDBB-LSRH300
IKBB-LSRH400-80	IDBB-LSRH400
IKBB-LSRH500-80	IDBB-LSRH500
IKBB-LSRH600-80	IDBB-LSRH600
IKBB-LSRH700-80	IDBB-LSRH700
IKBB-LSRH800-80	IDBB-LSRH800
IKBB-LSRH900-80	IDBB-LSRH900
IKBB-LSRH1000-80	IDBB-LSRH1000
IKBB-LSRH1100-80	IDBB-LSRH1100
IKBB-LSRH1200-80	IDBB-LSRH1200
IKBB-LSRH1300-80	IDBB-LSRH1300
IKBB-LSRH1400-80	IDBB-LSRH1400
IKBB-LSRH1500-80	IDBB-LSRH1500
IKBB-LSRH1600-80	IDBB-LSRH1600
IKBB-LSRH1700-80	IDBB-LSRH1700
IKBB-LSRH1800-80	IDBB-LSRH1800

Model	Applicable Illuminations
IKBB-LSRS100-80	IDBB-LSRS100
IKBB-LSRS200-80	IDBB-LSRS200
IKBB-LSRS300-80	IDBB-LSRS300
IKBB-LSRS400-80	IDBB-LSRS400
IKBB-LSRS500-80	IDBB-LSRS500
IKBB-LSRS600-80	IDBB-LSRS600
IKBB-LSRS700-80	IDBB-LSRS700
IKBB-LSRS800-80	IDBB-LSRS800
IKBB-LSRS900-80	IDBB-LSRS900
IKBB-LSRS1000-80	IDBB-LSRS1000
IKBB-LSRS1100-80	IDBB-LSRS1100
IKBB-LSRS1200-80	IDBB-LSRS1200
IKBB-LSRS1300-80	IDBB-LSRS1300
IKBB-LSRS1400-80	IDBB-LSRS1400
IKBB-LSRS1500-80	IDBB-LSRS1500
IKBB-LSRS1600-80	IDBB-LSRS1600
IKBB-LSRS1700-80	IDBB-LSRS1700
IKBB-LSRS1800-80	IDBB-LSRS1800

★ In the model table, ■ will be replaced with the series names of the line illuminations (LSR=IDBC-LSR, LSRC=IDBC-LSRC, etc.).  
(The illuminations with " -IL" at the end of the series model code is not supported)

★ In the model table, □ will be replaced with the series names of the line illuminations (LSRF=IDBB-LSRF, LSRA=IDBB-LSRA, LSRC=IDBB-LSRC).  
Please specify whether you require the attachment of a diffuser plate or not.

※ The above model has a light transmittance of 80%.  
If the light transmittance is 90%, the code will end with "-90". For 60% light transmittance, the code will end with "-60". And for 30% light transmittance, the code will end with "-30".