

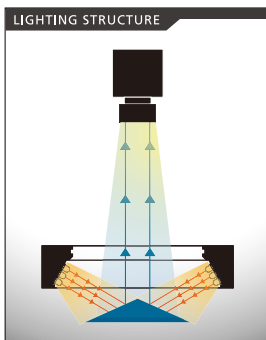
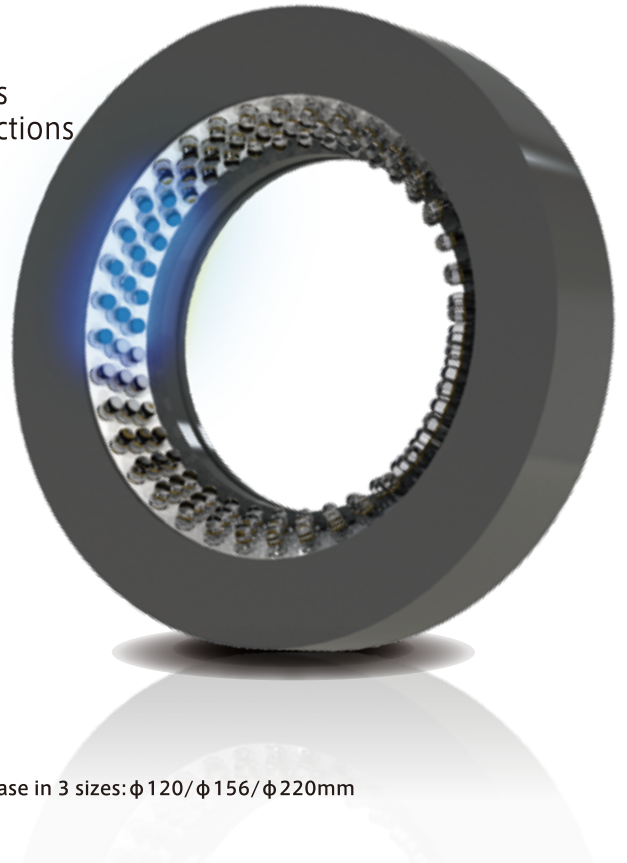
NEW
8-Channel Irradiate Ring Illumination

Multi-Channel Low Angle Direct Irradiate Ring Illumination [IDR-LA-8ch series]

Multi-channel direct irradiate model which supports flexible illumination from 8 different low angle directions (Ideal for inspecting the surface of uneven objects)

24V DC Models Available

- Applications**
- Semiconductor/Electronic components industry etc.
 - ➔ Chip component Dirt/Edge inspection etc.
 - Beverage bottles/Plastic molding industry etc.
 - ➔ Top surface chipping/Perimeter chipping / Engraving inspection.



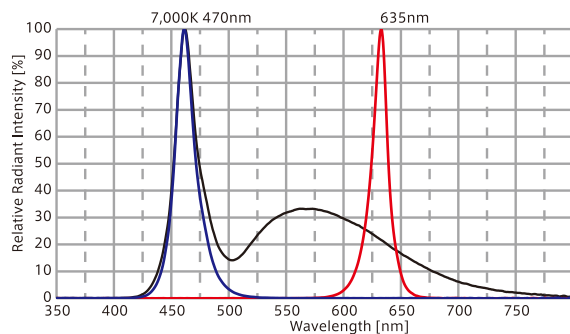
Standard Size Lineup Standard release in 3 sizes: $\phi 120 / \phi 156 / \phi 220$ mm

Model	Color	Power Consumption(W)	Input Voltage	WD(mm)	SAG(※)	Applicable Controller	Drawing
IDR-LA120/68□-8ch	DR	6.4	DC12V	15 ~ 40	T.B.D.	IDMU-P8B-12 (P.193) IDGC-30M8 series (P.209) .etc (Continuous/Strobe lighting [PWM Mode/No Overdrive])	1
	DW B	6.4					
IDR-LA156/108□-8ch	DR	10.6		10 ~ 30			
	DW B	8.8					
IDR-LA220/170□-8ch	DR	15		40 ~ 70			
	DW B	DW:15.9 B:19.2					

★The emission color (DW=White,DR=Red,B=Blue) is indicated by □ in the model table.
★DC24V products are also available. Please feel free to contact us for more information.
★Custom sizes are also available aside from the ones listed above.

★A diffuser ring could be attached (Optional).
※SAG: The maximum instantaneous upper limit output voltage setting value in the controller for the corresponding illumination when used in combination with the Overdrive controller.

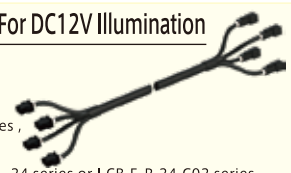
Optical Spectrum (Ref.Value)



4-Branch Type Extension Cable For DC12V Illumination

I-CB-F series

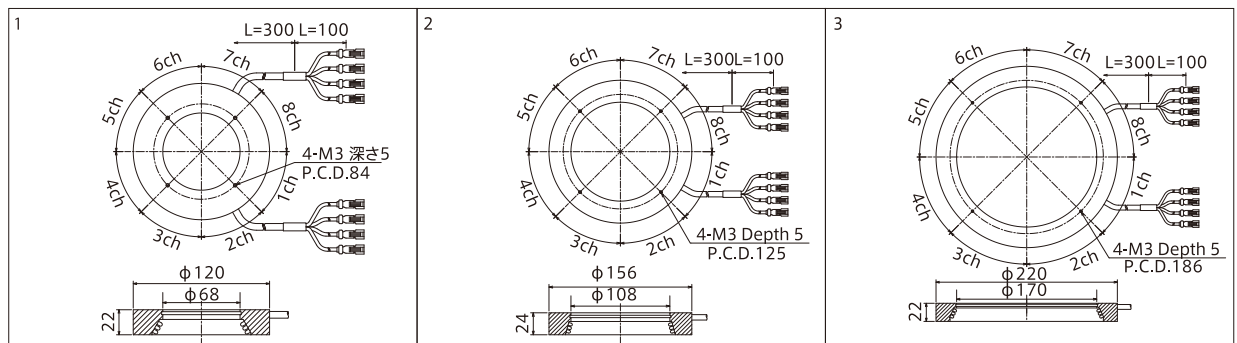
When used for moving parts such as robots, please use the I-CB-F_R-C02 series, which manufactured with robust robot cable with high flexibility. For DC24V model, please use the I-CB-F_-24 series or I-CB-F_R-24-C02 series.



Recommended Digital Controller(PWM Control)

IDMU series (8ch)

Output control: 1,000 Levels
Compact PWM controller with DC24V input voltage, ideal for installation inside panels
Expandable up to 40 channels by linking units
Equipped with programming and camera trigger output functions, making it versatile.



- Line illumination products
- IDBB-LSRF
 - IDBC-LSR
 - IDBB-LSRH
 - IDBB-LSRA
 - IDBB-LSRS
 - IDBC-LSRC
 - IDBB-LSRC
 - IDBC-RE
 - IDBB-RE
 - IDBA-RK
 - IDH-RE
 - IMAR-D_-8ch
 - IDR-LA-8ch
 - IDRA-T-8ch
 - IMAR-D
 - IMAR-CT D
 - IHR-LE
 - IHRB · IHRA
 - IDR-F
 - IDR-F33/16
 - IDR
 - IDR-LA
 - IDRA-T
 - IFR · IPR
 - IDBA-HM
 - IDBA-HMS
 - IDBA-HMS-IR
 - IDBA-FD
 - IDBA-LEH2
 - IDBA-LEH
 - IDBA-LE
 - IDBA-SE
 - IDBA-SL
 - IDBA
 - IDBA-Q
 - IFLA · IFLB
 - IDHM
 - IHMA
 - IHMA-V
 - IFPA
 - IFD
 - IFD-IR
 - IHMA-40D
 - IFPA-D
 - IPOC
 - IFHA
 - IDDB-KH · IDDA-KH
 - IDUB
 - IDD
 - IDD-CB
 - IQD · IQDH
 - IQDA-CB
 - IFVA · IFVB
 - IFVA-ST
 - IFV
 - IV-14 · IV-30
 - IHV-20 · IHVE-21
- Transmitted Area Illumination products
- IHVA-SP · IHSL-SP
 - IBF
 - IHV-FX
 - RBOX
 - IDBB-CH
 - IDHRA
 - UV-CAN
 - Infrared
 - Infrared
 - IMAR-RGB
 - IDDA-KH-RGB
 - RGB Full-color
 - ISU
 - ISS
- Special illumination products
- Introduction of Customization
 - High-speed/High-resolution/strobe light products
 - ISC-24
 - Image capture evaluation kit products
- ICB products
- IDMU
 - ILP
 - ILC
 - ILV
 - ILS
 - IPPA_G · IRPA_G
 - IPSA · IPPA
 - IDGC
 - IDPA
 - IDCA
 - IMC
 - IWDV-24
 - IWDV(S)-48
 - ISC
 - IJS
 - IJS-30M2-TP/SS
 - ILS-40M2-PI/SS
 - SAG
 - SLLUB
 - LLUB
 - IFIC
- Controller products