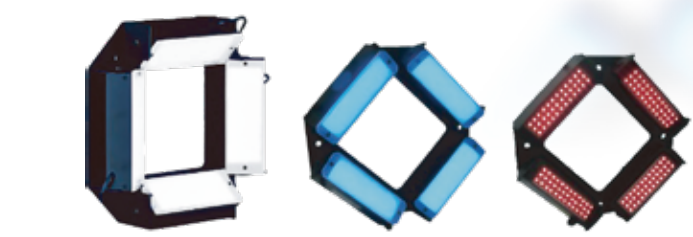
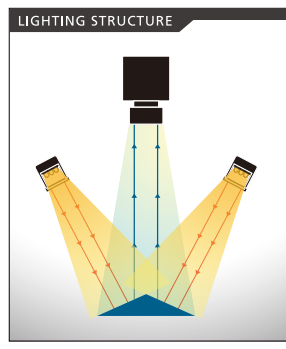
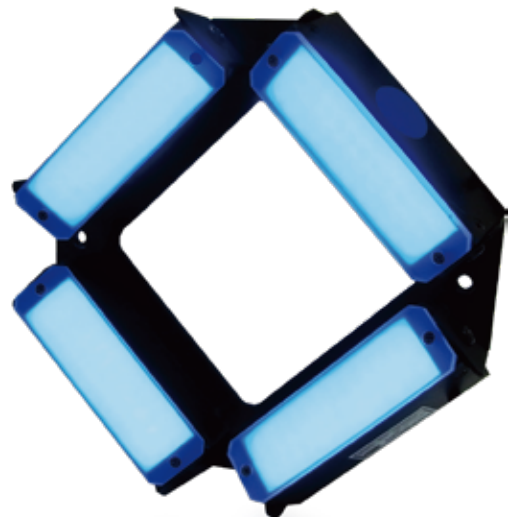


Oblique Highly Directional BAR Illumination [IDBA-Q Series]

Wide range of use from oblique irradiate application request.

25V DC Models Available

- Applications**
- Packaging industry etc.
 - ➔ Inspection and Recognition of characters/barcodes
 - Beverage bottles/Plastic molding industry etc.
 - ➔ Inspection and Recognition of characters /printings
 - Connector manufacturing industry etc.
 - ➔ Inspection of Connector pin shape



Standard Size Lineup Standard release in 3 sizes: $\phi 32$ mm / $\square 60$ / $\square 80$ mm

Model	Color	Power Consumption(W)	Input Voltage	SAG (※)	Applicable Controller	Drawing	
IDBA-Q230□	R	2	DC12V	-	IDMU Series (P.193) ILP-30M2 (P.197) IDGC Series (P.209) and the others Strobe/Overdrive Controllers, etc.	1	
	DW B G	3.2					
IDBA-Q230□S	R	2				C6/CH	3
	DW B G	3.2					
IDBA-QC360□	DR	7.2				FF/CH	4
	DW B G	8.8					
IDBA-QC690□	DR	21.6				C8/CH	3
	DW B G	17.6					
				FF/CH			

★The emission color (DW=White,DR=Red,B=Blue, G=Green) is indicated by □ in the model table. ★A diffuser plate and a polarizing plate can be attached.(Optional)
 ★DC24V products are also available. Please feel free to contact us for more information.
 ※SAG: The maximum instantaneous upper limit output voltage setting value in the controller for the corresponding illumination when used in combination with the Overdrive controller.

Diffuser Plate For IDBA-Q

IKBA Series

This diffusion plate is specifically designed for bar illumination. By attaching it, light can be diffused and it is possible to reduce the reflection on the object. The standard transmittance is 80%, and with the same thickness, there are also 90%, 60%, and 30% options available. ※For the red color (DR series), the standard transmittance is 60%.

Model	Applicable Illumination
IKBA-Q360-80	IDBA-Q360
IKBA-Q690-80	IDBA-Q690

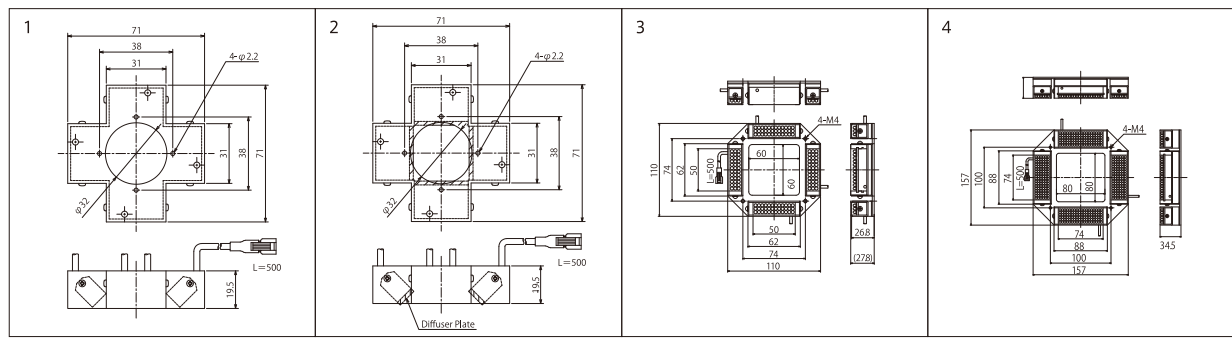
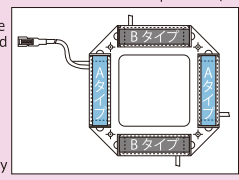
Polarizing Plate For IDBA-Q

IKBA-PL Series

When illuminating from four directions, please use A and B types and align the direction of the polarizer accordingly. Depending on your usage environment, there is a risk of deformation or discoloration due to heat. Please take heat dissipation measures and use within the temperature range that does not exceed the heat resistance temperature (74°C). To ensure optimal performance, please regularly inspect and confirm.

Model	Applicable Illumination
IKBA-Q360-■PL	IDBA-Q360
IKBA-Q690-■PL	IDBA-Q690

★The polarizer direction (A or B) is indicated by ■ in the model table.



Line illumination products

- IDBB-LSRF
- IDBB-LSR
- IDBB-LSRH
- IDBB-LSRA
- IDBB-LSRS
- IDBB-LSRC
- IDBB-LSRC
- IDBC-RE
- IDBB-RE
- IDBA-RK
- IDH-RE
- IMAR-D_8ch
- IDR-LA-8ch
- IDRA-T-8ch
- IMAR-D
- IMAR-CT D
- IHR-LE
- IHRB · IHRA
- IDR-F
- IDR-F33/16
- IDR
- IDR-LA
- IDRA-T
- IFR · IPR

Ring illumination products

- IDBA-HM
- IDBA-HMS
- IDBA-HMS-IR
- IDBA-FD
- IDBA-LEH2
- IDBA-LEH
- IDBA-LE
- IDBA-SE
- IDBA-SL
- IDBA
- IDBA-Q
- IFLA · IFLB
- IDHM
- IHMA
- IHMA-V
- IFPA
- IFD
- IFD-IR
- IHMA-40D
- IFPA-D
- IPOC
- IFHA
- IDDB-KH · IDDA-KH
- IDUB
- IDD
- IDD-CB
- IQD · IQDH
- IQDA-CB
- IFVA · IFVB
- IFVA-ST
- IFV
- IV-14 · IV-30
- IHV-20 · IHVE-21

Bar illumination products

- IFVA-SP · IHSL-SP
- IBF
- IHV-FX
- RBOX
- IDBB-CH
- IDHRA
- UV-CAN
- Infrared
- Infrared
- IMAR-RGB
- IDDA-KH-RGB
- RGB Full-color
- ISU
- ISS

Special illumination products

- Introduction of Customization
- High-speed synchronous imaging camera products
- ISC-24
- Image capture evaluation kit products

Kit products

- IDMU
- ILP
- ILC
- ILV
- ILS

Controller products

- IPPA_G · IRPA_G
- IPSA · IPPA
- IDGC
- IDPA
- IDCA
- IMC
- IWDV-24
- IWDV(S)-48
- ISC
- IJS
- IJS-30M2-TP/SS
- ILS-40M2-FV/SS
- SAG
- SLLUB
- LLUB
- IHC