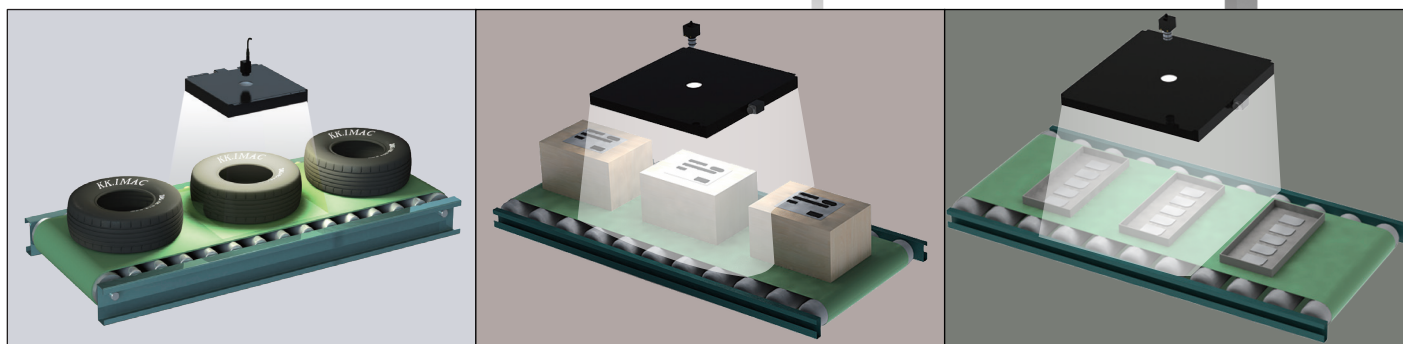


Large Surface Lighting IFPA-D series



Usage example



Appearance inspection of large-sized workpieces

Inspection of printing/markings on large-sized workpieces

Inspection of quantity in tray

Specifications/line up

Model	Color	Opening diameter (X1)	Input voltage	Power consumption	Drawing	Applicable power supply	Applicable extension cable
IFPA-200/200AWHV-(X1)D	AW	35 / 55	DC24V	35W	1	ILP-60M2-24, IDGB-24 series, etc.	I-CB-S*-24, etc.
IFPA-300/300AWHV-(X1)D	AW	35 / 55	DC24V	85W	2	IWDV-100S-24	I-CB-S*R-MCB
IFPA-400/400AWHV-(X1)D	AW	35 / 55	DC24V	155W	3	IWDV-300S-24	
IFPA-500/500AWHV-(X1)D	AW	35 / 55	DC24V	245W	4		

※ The characters "X1" in each model are substituted with the opening diameter (35 = 35 mm, 55 = 55 mm).

Models with a rectangular light emission surface can also be manufactured. The length of the short side is specified in units of 100 mm.

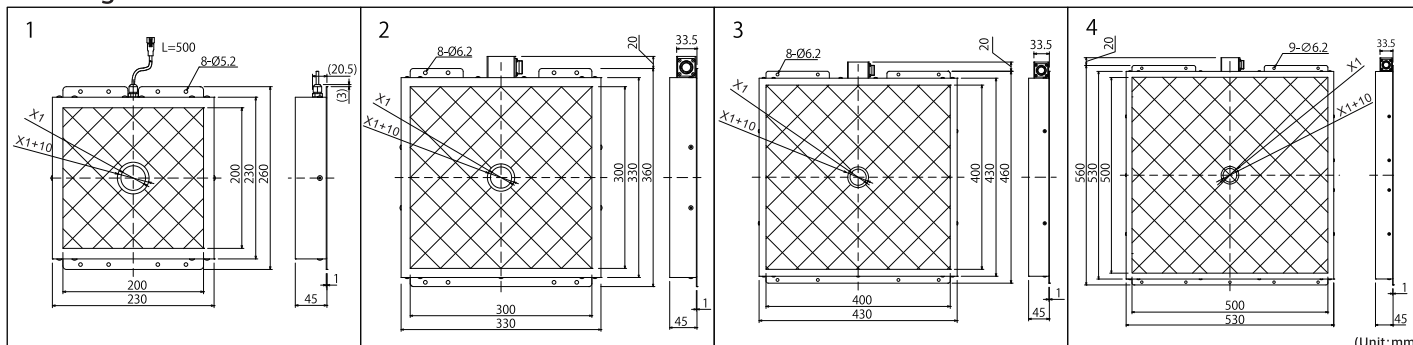
※ The asterisk "*" in each applicable extension cable model is substituted with the length (m).

※ Through customization, it is possible to change the positions of parts.

- Opening position: Can be changed in vertical and horizontal directions in units of 50 mm from the center of the light emission surface.

Connector position: The connector position can be changed to the short side or the long side.

Drawing



Challenge & High Quality

Leimac Ltd.

Head Office : 1551 Sazukawacho, Moriyama, Shiga 524-0215, JAPAN
TEL: +81-77-585-6771 FAX: +81-77-585-6773

Tokyo Office : 2-5-6 Uchikanda, Chiyoda-ku, Tokyo 101-0047, JAPAN, 2nd floor Kameda Bldg.
TEL: +81-3-6206-4838 FAX: +81-3-6206-4575

Osaka Office : 4-4-63 Miyahara Yodogawa-ku, Osaka 532-0032 JAPAN, 8F Shin-Osaka Chiyoda Building Bekkan
TEL: +81-77-585-6771(Head Office) FAX: +81-77-585-6773(Head Office)

Sendai Office : 1-3-9, Honcho, Aoba-ku, Sendai-shi, Miyagi 980-0014, JAPAN, 8th floor 6th Hirose Bldg.
TEL: +81-3-6206-4838(Tokyo Office) FAX: +81-3-6206-4575(Tokyo Office)

HP: <https://leimac.jp/en/> E-mail: led_sales@leimac.jp

20220316.0000(L)

* Our products are industrial products based on the assumption of use for built-in equipment, during the manufacturing process, or in the manufacturing plant.

* These data are for reference only. They do not guarantee the product performance.

* Please note product specifications and designs are subject to change without notice.