

The next level of vision

Lelmac
CHALLENGE & HIGH QUALITY

New Product

Super Strobe Light

ISS series



Achieve industry-leading levels of
illumination up to 8 million lx!!

(※ISSDBA-C90/20W, LWD=30mm)

Useful in high-speed shutter applications.

Leimac Ltd.

Achieve industry-leading levels of illumination! Up to 8 million lx.

(※ISSDBA-C90/20W, LWD=30mm)

Combined with a power supply, it achieves stationary light: 16 to 137 times and conventional strobe: 3 to 25 times compared to lighting of the same shape and approximate size!

This has the following advantages.

- (1) The inspection speed can be increased and the tact time can be shortened.
- (2) Shortens the exposure time and captures even workpieces moving at high speed without blurring
- (3) The aperture of the lens can be reduced and the depth of field can be increased.

Comparison of brightness with stationary light.

WD=50mm

	IMAR-80 vs ISSMAR-80	IMAR-130 vs ISSMAR-130
White	about 36 times	about 30 times
Red	about 40 times	about 40 times
Blue	about 54 times	about 54 times

WD=10mm

	IFVA-20 vs ISSFVA-20	IFVA-40 vs ISSFVA-40
White	about 20 times	about 39 times
Red	about 28 times	about 54 times
Blue	about 16 times	about 37 times

WD=10mm

	IDDA-KH80 vs ISSDA-KH80	IDDA-KH150 vs ISSDA-KH150
White	about 20 times	about 19 times
Red	about 44 times	about 32 times
Blue	about 32 times	about 29 times

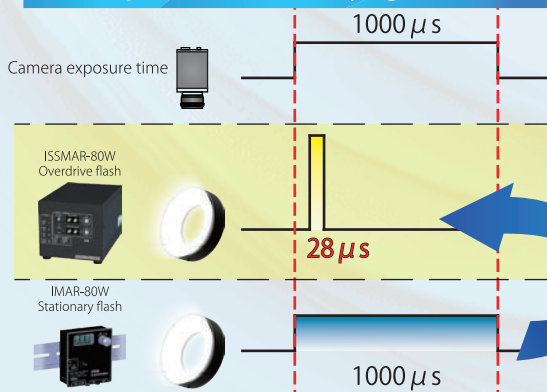
WD=50mm

	IDR-F43/16 vs ISSDR-F45/15	IDR-F60/32 vs ISSDR-F61/32	IDR-F70/37 vs ISSDR-F71/42
White	about 80 times	about 137 times	about 117 times
Red	about 83 times	T.B.D	T.B.D
Blue	T.B.D	about 105 times	about 108 times

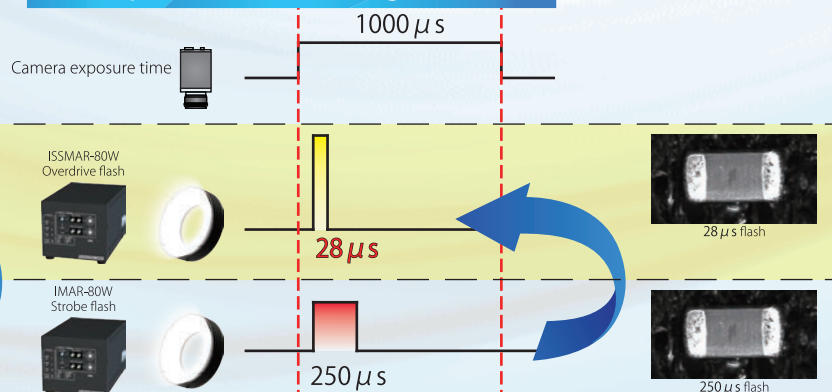
WD=50mm

	IDBA-C11/14 vs ISSDBA-C32/5	IDBA-C100/11 vs ISSDBA-C108/11	IDBA-C50/15 vs ISSDBA-C45/20	IDBA-C100/15 vs ISSDBA-C90/20
White	about 90 times	about 92 times	T.B.D	about 128 times
Red	T.B.D	about 72 times	about 80 times	about 85 times
Blue	about 46 times	about 59 times	T.B.D	about 76 times

Compared to stationary light emission



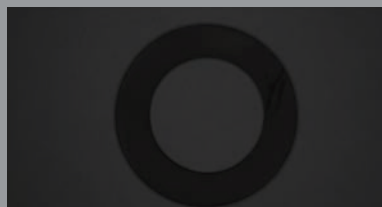
Compared to Overdrive light emission



The same brightness can be obtained in a short flash time by increasing the amount of light!

Comparison of imaging with the same exposure time (work: black rubber sheet)

IDR-F70/37DW
+
IJS-30M2-TP



ISRHA-80W
+
IJS-30M2-TP



ISSDR-F71/42W-2CH
+
IJS-30M2-TP/SS

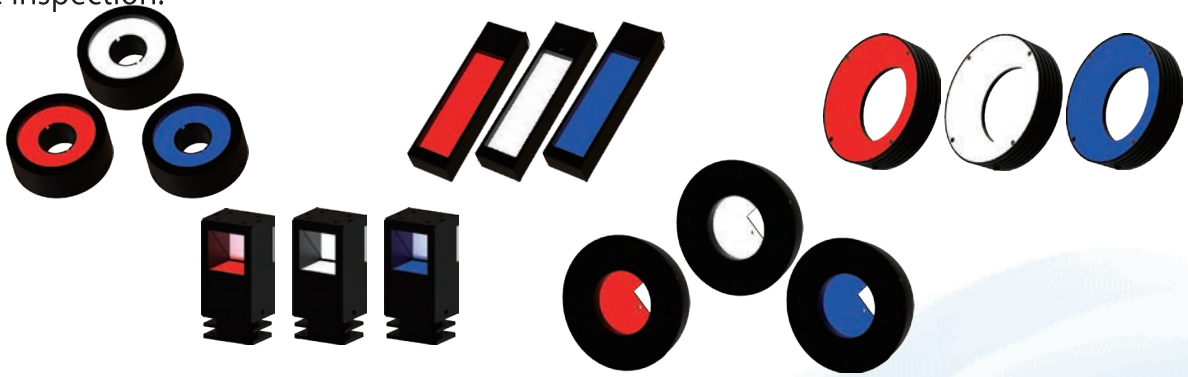


It is dark when the emission time is 28 μ s.



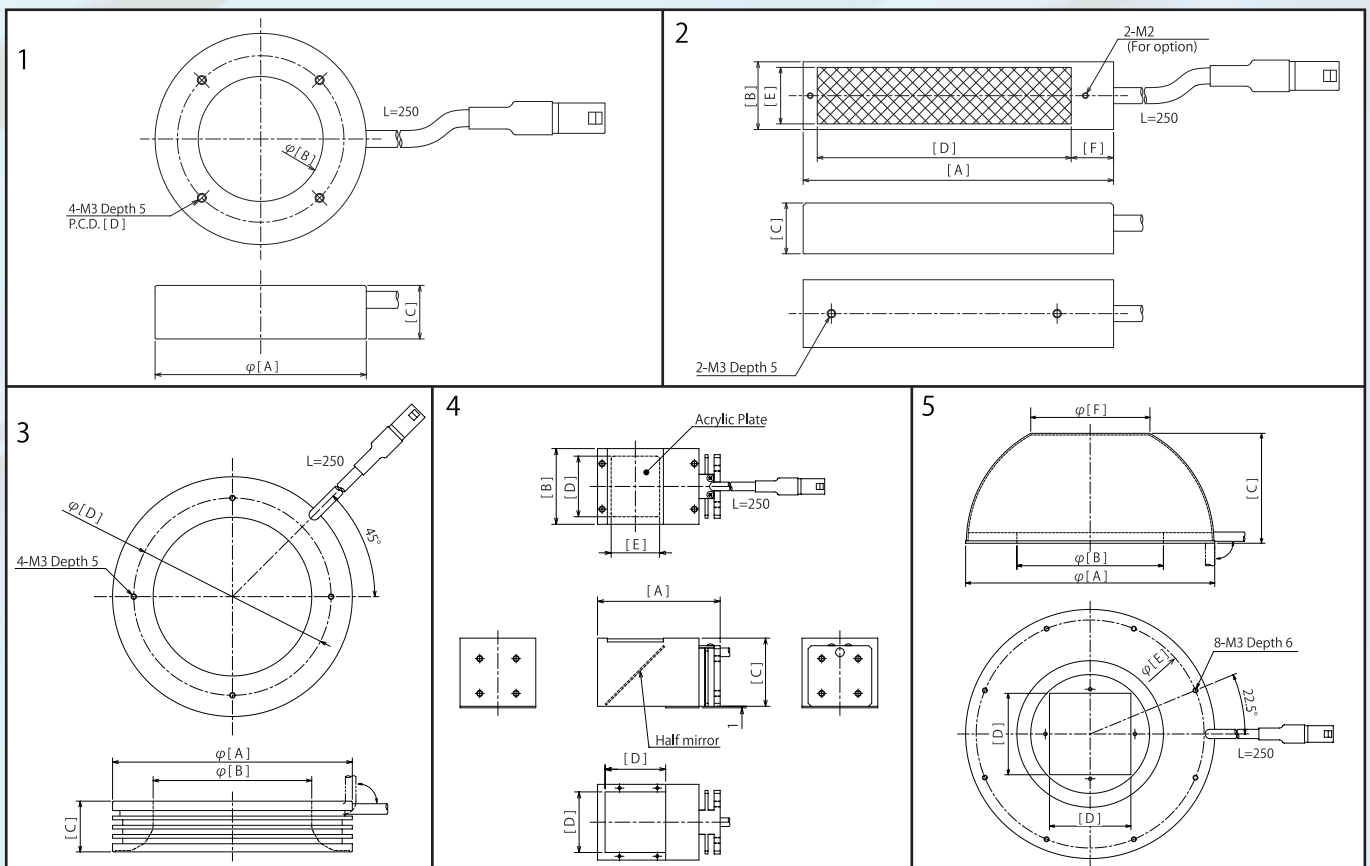
2 Lighting variations (5 series, 42 models)

Super strobe lighting (ISS series) lineup of bar type, ring type, multi-position ring type, coaxial type and dome type illumination 5 series and 14 sizes. The standard lineup of emission colors are white and red, as well as blue that is effective for surface inspection.



3 Specifications

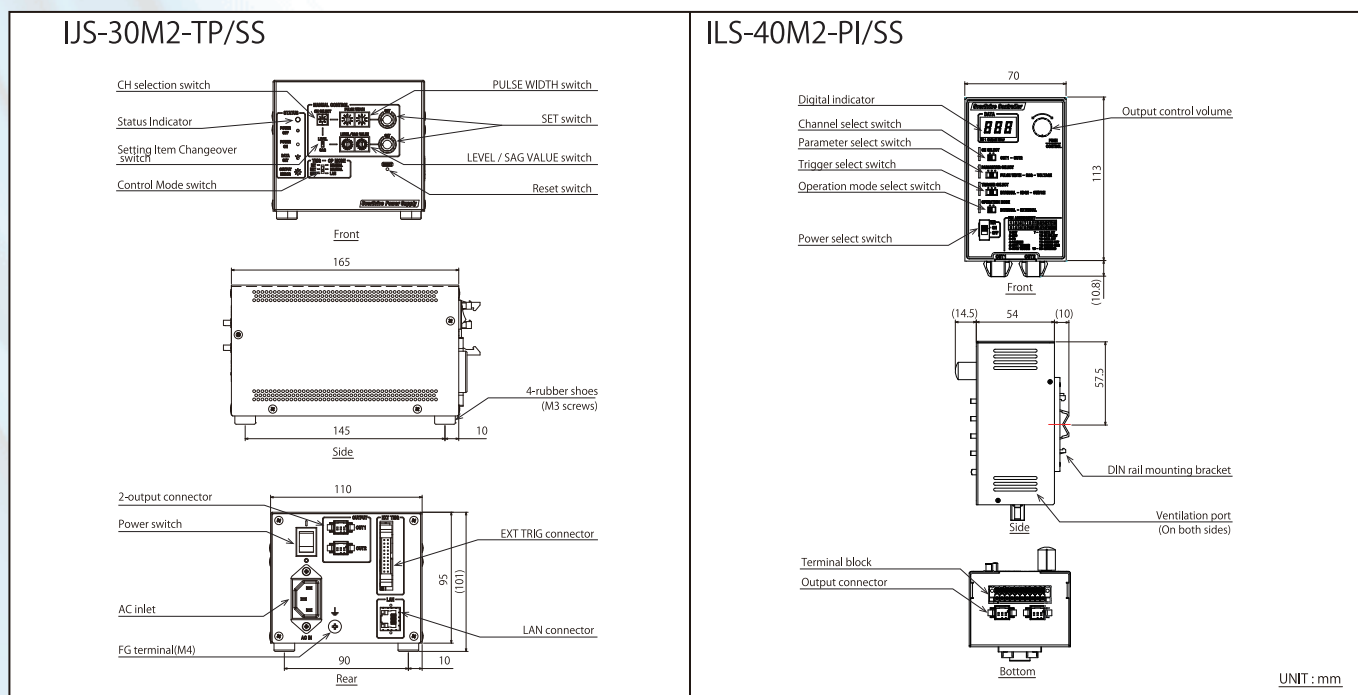
Light type	Model	Light-Color	Cable	Drawing	A (mm)	B (mm)	C (mm)	D (mm)	E (mm)	F (mm)
Direct Ring type	ISSDR-F45/16□	R W B	For 1ch	1	45	16	18	30	-	-
	ISSDR-F61/32□-2CH	R W B	For 2ch		61	32	18	46	-	-
	ISSDR-F71/42□-2CH	R W B	For 2ch		71	42	18	56	-	-
Bar type	ISSDBA-32/5□	R W B	For 1ch	2	44	9	8	32	5	7.5
	ISSDBA-45/20□	R W B	For 1ch		65	24	18	45	20	15
	ISSDBA-90/20□-2CH	R W B	For 2ch		74	15	18	54	11	15
	ISSDBA-54/11□	R W B	For 1ch		110	24	18	90	20	15
	ISSDBA-108/11□-2CH	R W B	For 2ch		128	15	18	108	11	15
Multi-position Ring type	ISSMAR-80□	R W B	For 1ch	3	80	36	27.5	55	-	-
	ISSMAR-130□-2CH	R W B	For 2ch		130	86	27.5	107	-	-
Narrow-angle light distribution coaxial type	ISSFVA-20□	R W B	For 1ch	4	60	28	23.5	18	20	-
	ISSFVA-40□-2CH	R W B	For 2ch		81	50	45	32	40	-
Dome type	ISSDDA-KH80□	R W B	For 1ch	5	85	40	40.5	20	76	30
	ISSDDA-KH150□-2CH	R W B	For 2ch		153	90	67.5	50	140	73



4 Power Supply

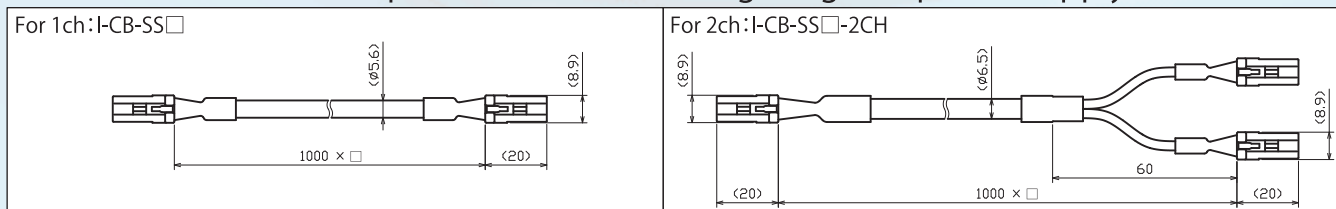
Power supply lineup includes IJS-30M2-TP/SS with AC input and ILS-40M2-PI/SS with 24V DC input. IJS-30M2-TP/SS could control output voltage and pulse width by LAN communication. ILS-40M2-PI/SS is a compact size with an external dimension of 70 x 113 x 54mm (excluding protrusions).

		IJS-30M2-TP/SS	ILS-40M2-PI/SS
Driving method		Constant-voltage driving	Constant-voltage driving
Output control method		Output voltage variable / Pulse width variable	Output voltage variable / Pulse width variable
Input voltage		AC100~240V 67VA	DC24V 3.5A
Channel numbers		2 ch	2 ch
Output Current		9 Ao-p	11 Ao-p
Output variable range	voltage	About 10-36V 256 level	About 10-36V 256 level
	pulse width	0, 10~99 μ s 1 μ s Step	0~100 μ s 1 μ s Step
Output control function	internal	Variable output voltage and pulse width by switch	Variable output voltage and pulse width by switch
	external	Variable output voltage and pulse width by LAN communication control	Variable output voltage by 8 bit parallel communication control
Synchronous control		<ul style="list-style-type: none"> •Synchronous control with external trigger signal •Asynchronous output with internal trigger signal (fixed at 100 Hz) 	<ul style="list-style-type: none"> •Synchronous control with external trigger signal •Asynchronous output with internal trigger signal (fixed at 4kHz)
Interlock		Trigger signal invalid for duty 1% or more	Trigger signal invalid for duty 1% or more



5 Exclusive Cable

An exclusive cable is required to connect the lighting and power supply.



□ indicates the cable length (m) (1,2,3,4,5,6,7,8,9,10)

Challenge & High Quality

Leimac Ltd.

Head Office : 1551 Sazukawacho, Moriyama, Shiga 524-0215, JAPAN
 TEL: +81-(0)77-585-6771 FAX: +81-(0)77-585-6773

Tokyo Office : 2-5-6 Uchikanda, Chiyoda-ku, Tokyo 101-0047, JAPAN, 2nd floor Kameda Building
 TEL: +81-(0)3-6206-4838 FAX: +81-(0)3-6206-4575

Nagoya Testing Room : 1-8-7 Noritake Nakamura-ku, Nagoya-shi, Aichi-ken 453-0014, JAPAN Mutsumi Building n^o2 - 302
 TEL: +81-(0)77-585-6771 (Headoffice) FAX: +81-(0)77-585-6773(Headoffice)

Osaka Testing Room : 4-4-63 Miyahara Yodogawa Ward, Osaka City, Osaka 532-0032 Shiosaka Chiyoda Building Bekkan 8F
 TEL: +81-(0)77-585-6771 (Headoffice) FAX: +81-(0)77-585-6773(Headoffice)

HP : <https://leimac.jp> E-mail: led_sales@leimac.jp

20200122.0000 (1)

※Our products are industrial products that are premised on use within the manufacturing process, built-in equipment and inside the manufacturing plant.
 ※The data posted is for reference only. It does not guarantee the performance of the product.
 ※Please note that product specifications and designs are subject to change without notice.