

July 7, 2022

Dear Valued Customer

Leimac Ltd.
LED Lighting Group
Sales Department
TEL : +81-77-585-6771
FAX : +81-77-585-6773

Notice of discontinued product (IHRA series)

This is to inform you about the discontinuation of certain products due to parts discontinuation and improving the efficiency of management resources.

Regarding the target products, please switch to the replacement by the final order deadline.

We regret any inconvenience caused by this product discontinuation and would kindly like to request your cooperation.

—Details—

1. End of Sales

Tuesday, December 27, 2022

2. List of Discontinued Products and their Replacements

Discontinued Product			Replacement	
Model	Input Voltage		Model	Input Voltage
IHRA-60□S	DC12V	→	IHRB-60□S	DC12V
IHRA-80□S	DC12V	→	IHRB-80□S	DC12V
IHRA-120□S	DC12V	→	IHRB-120□S	DC12V
IHRA-150□S	DC12V	→	IHRB-150□S	DC12V
IHRA-220□S	DC12V	→	IHRB-220□S	DC12V
IHRA-270□HVS	DC24V	→	IHRA-270□HVS (Continued Sales)	DC24V
IHRA-350□HVS	DC24V	→	IHRA-350□HVS (Continued Sales)	DC24V

* The IHRA/IHRB series has the following LED colors:

red (R), white (AW), and blue (B).

* Production of Color W (white) was discontinued at the end of December 2017.

* These also apply to DC 24V specifications.

3. Pricing

The price of the new IHRB series has been revised by about 10% compared to the IHRA series.

If you have any questions regarding this change, please contact our sales staff.

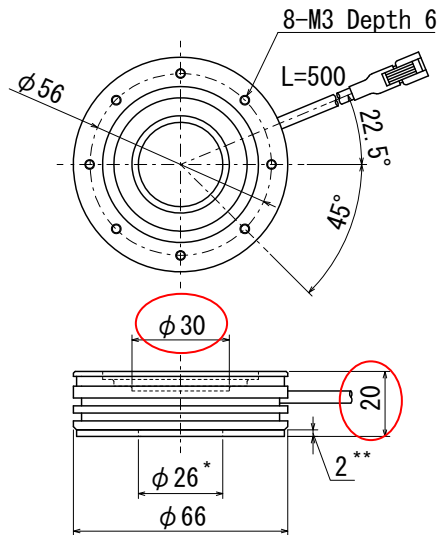
[External Dimensions]

Although the case shape has been changed, the mounting pitch and outer diameter dimensions are the same.

< New Product >

IHRB-60□S

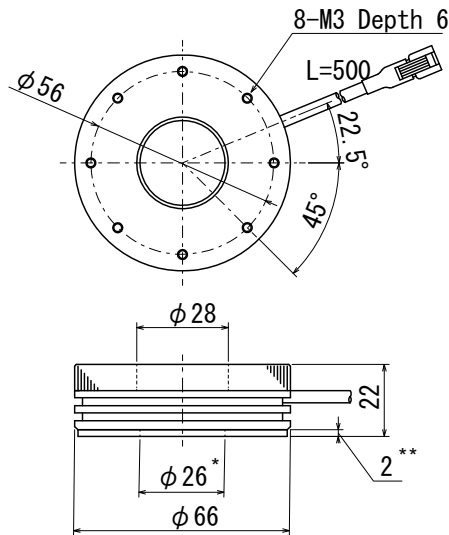
Weight : 105g



< Discontinued Product >

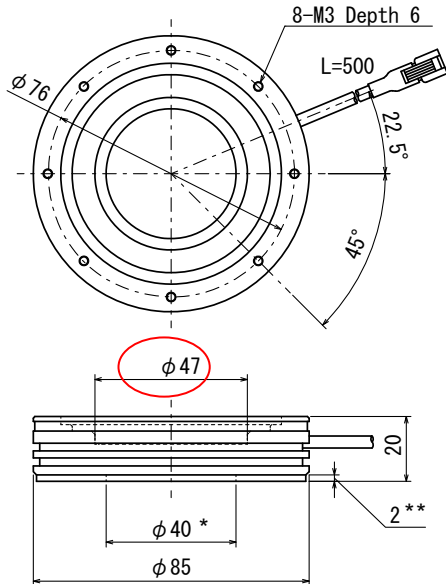
IHRA-60□S

Weight : 125g



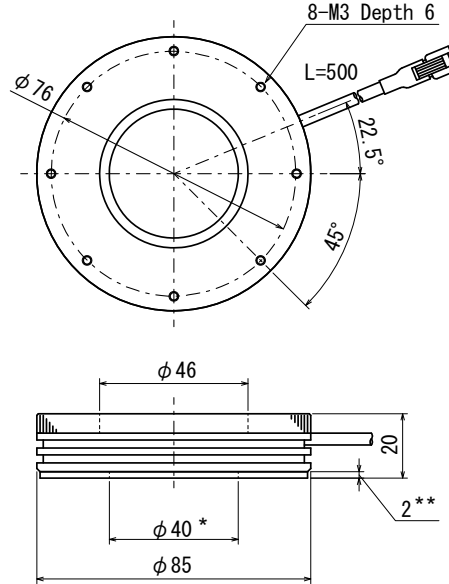
IHRB-80□S

Weight : 135g



IHRA-80□S

Weight : 160g



Unit : mm

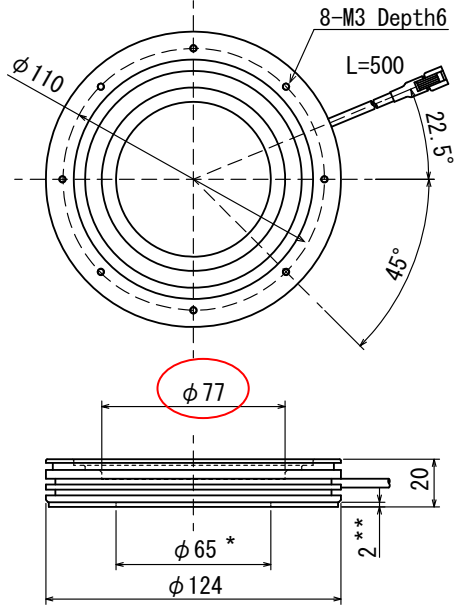
* ID of diffusing plate

** Diffusing plate part

< New Product >

IHRB-120□S

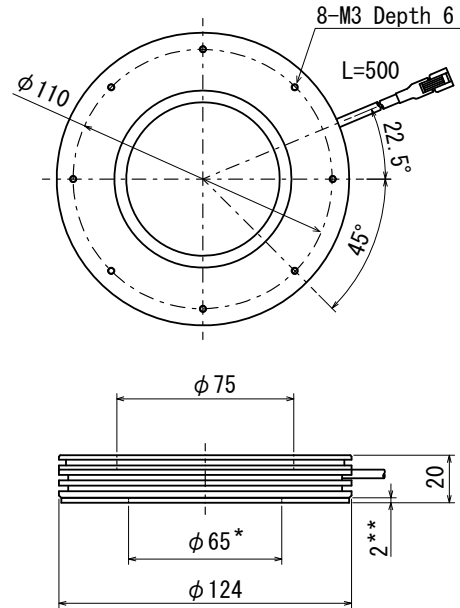
Weight : 265g



< Discontinued Product >

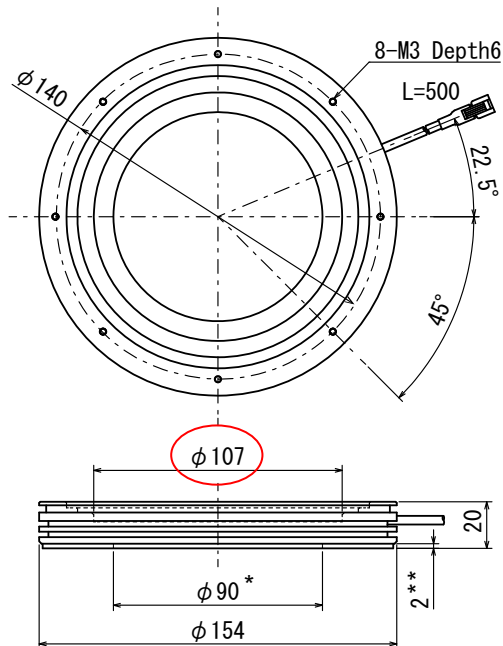
IHRA-120□S

Weight : 300g



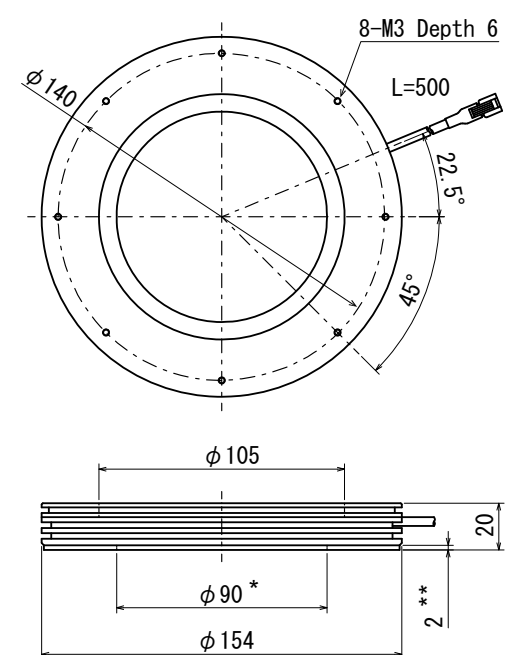
IHRB-150□S

Weight : 320g



IHRA-150□S

Weight : 380g



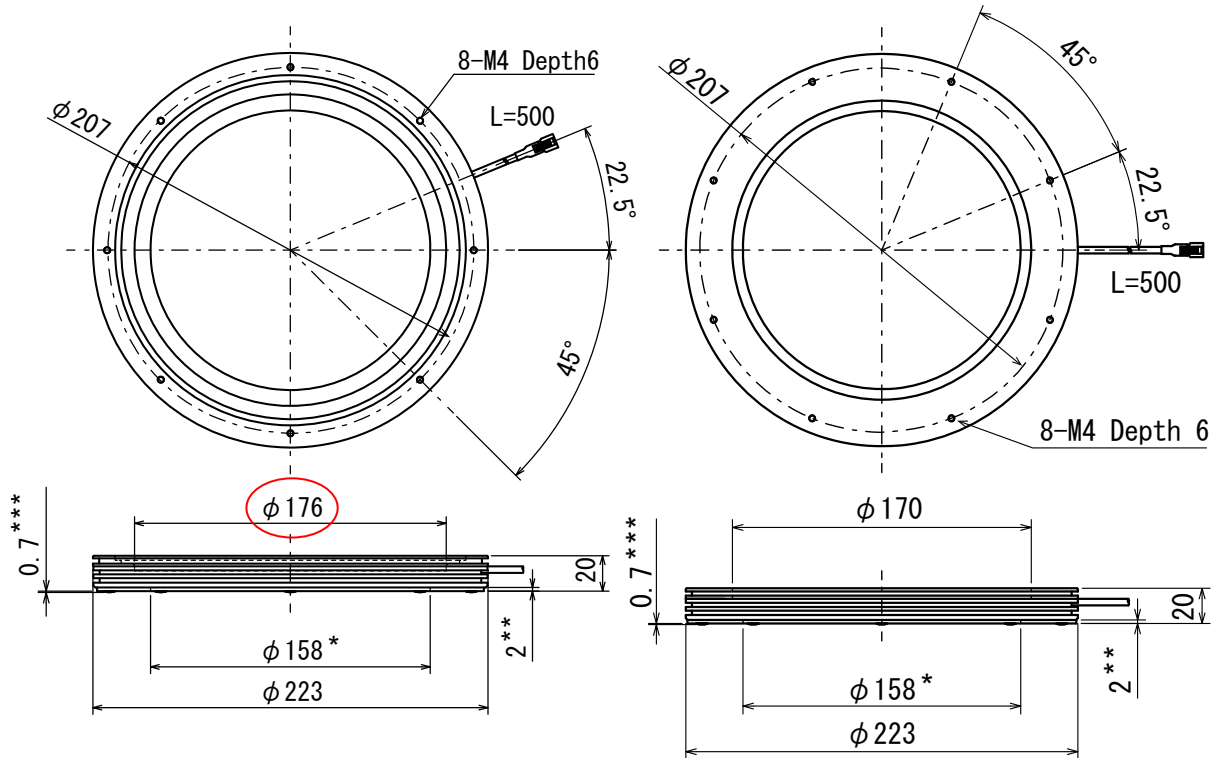
* ID of diffusing plate

** Diffusing plate part

Unit : mm

< New Product >
IHRB-220□S
Weight : 470g

< Discontinued Product >
IHRA-220□S
Weight : 600g



- * ID of diffusing plate
- ** Diffusing plate part
- *** Screw head

Unit : mm

There are no other changes in optical characteristics, power consumption, brightness, or wavelength characteristics.

If you have any questions regarding this change, please contact your sales representative or our sales staff.