

May. 2023

Dear Valued Customer

Leimac Ltd.
LED Lighting Group
Sales Department
TEL : +81-77-585-6771
FAX : +81-77-585-6773

Compact and Highly Uniform Line Light

“IDBC-LSRC series” new release

Leimac Ltd., a manufacturer of LED lighting for image processing, will release a new compact line light "IDBC-LSRC series" for use in image processing inspections from May 2023.

The new IDBC-LSRC series is an improved version of the IDBB-LSRC series compact line light.

Compared to the IDBB-LSRC series, the IDBC-LSRC series offers three colors (red, white, and blue) with the addition of red as a luminescence color,

two types of optical specifications (Highly uniform specification and High-uniform light-gathering specifications),

and a new structure that allows easy replacement of various diffusion plates, thereby improving ease of use.



—Details—

1. Released products

IDBC-LSRC series

Model	Input Voltage	Color	optical specifications
IDBC-LSRC □ ■ -S	DC24V	Red	Highly uniform specification
IDBC-LSRC ▽ ■ -S-IL		White Blue	High-uniform light-gathering specifications

* □ is the lighting length (100 to 1500). The lighting length is a multiple of 100.

** ▽ is the lighting length (100 to 1000). The lighting length is a multiple of 100.

*** ■ indicates the light color (R=Red, W=White, B=Blue)

2. Release date

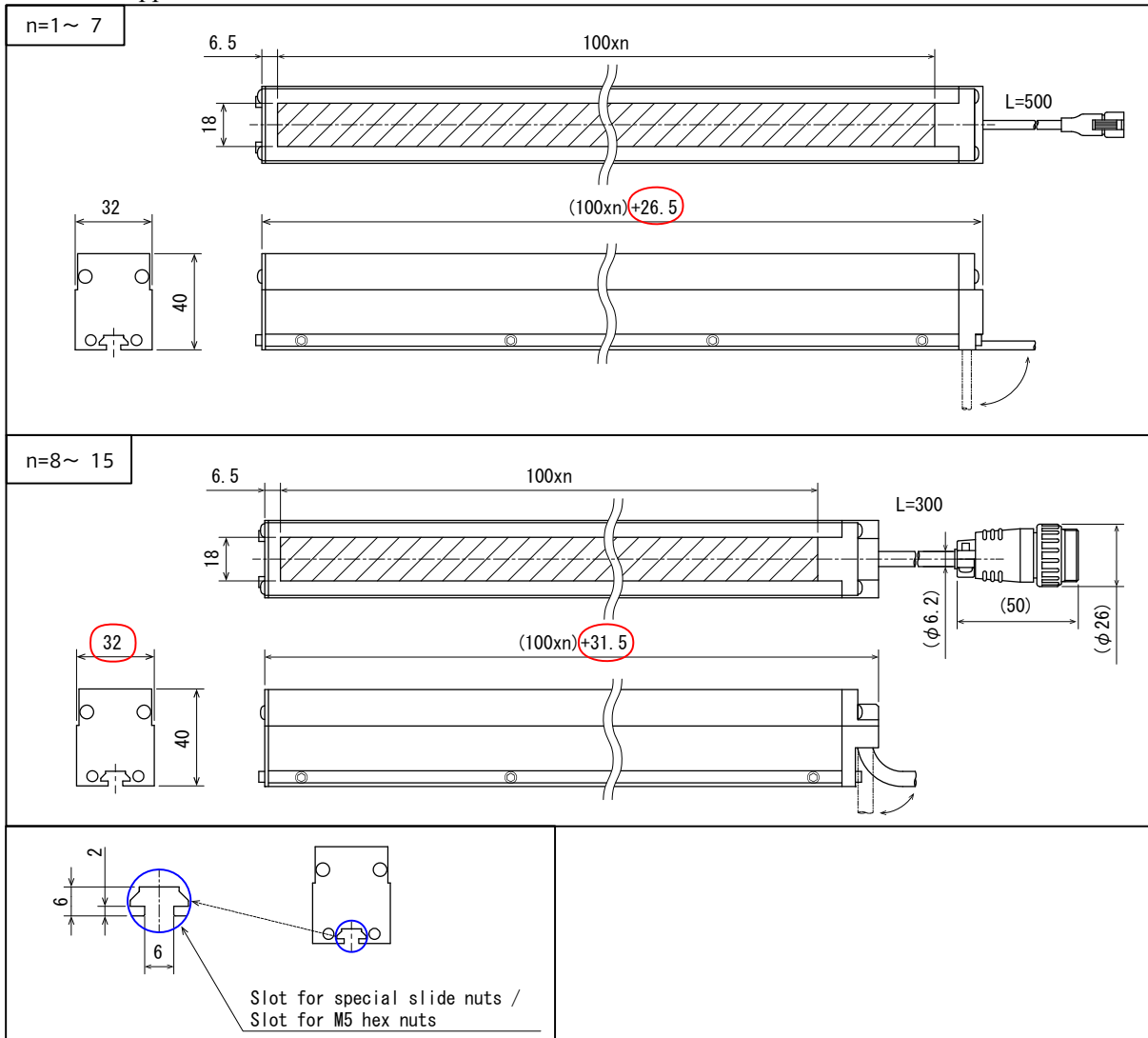
May, 2023

3. Product specifications

Please refer to Appendix_1 for product specifications.

If you have any questions regarding this change, please contact our sales staff.

【Product Appearance】

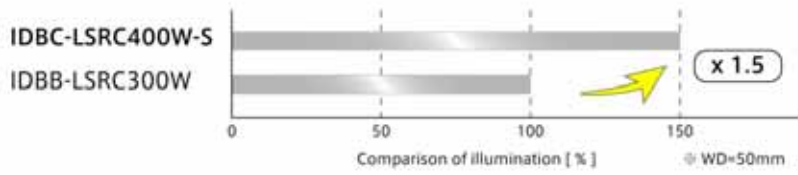


• Dimensional comparison with IDBB-LSRC series

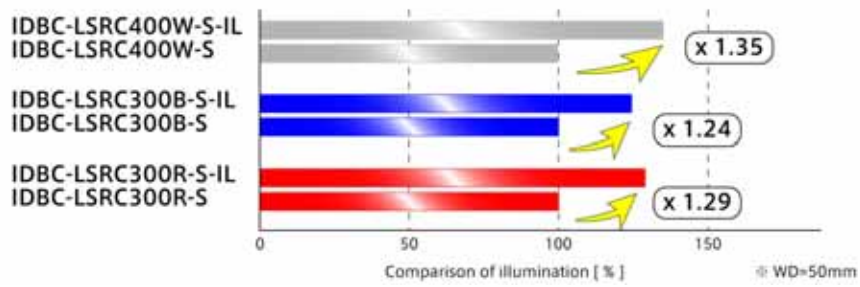
Item	n Value	IDBB-LSRC series	IDBC-LSRC series
Enclosure Width		30 mm	32 mm
Enclosure Length	(n=1~7)	(100xn)+21.5 mm	(100xn)+26.5 mm
	(n=8~15)	(100xn)+28 mm	(100xn)+31.5 mm

There is no difference in shape and size between the high uniformity specification and thn.

【Brightness comparison】 * Reference value



【Light-collecting lens can be attached】 * Reference value



【Other comparisons】 * Reference value

item	IDBB-LSRC series	IDBC-LSRC series
Power consumption	9.5xn W	10xn W
The White color temperature	8,000K (typ.)	5,700K (typ.)

以上