

January 2024

Dear Valued Customer

Leimac Ltd.
LED Illumination Group
Sales Department
TEL: +81-77-585-6771
FAX: +81-77-585-6773

Notice of Discontinuation of LED Illumination (IDBB-LSRC Series)

We hope this message finds you well. We are reaching out to inform you of an important update regarding our product line IDBB-LSRC series.

After careful consideration, we regret to inform you that we will be discontinuing the production of our current model. We understand the impact this decision may have, and we want to assure you that it was made with careful thought and consideration of the evolving needs of our customers. However, we are excited to introduce our new generation of products IDBC-LSRC series that will serve as successors to the current line. These new models embody the latest advancements in technology, design, and functionality.

We are confident that they will not only meet but exceed your expectations. For detailed information on the new models and their features, please refer to the following. If you have any questions or require further assistance in transitioning to the successor models, our dedicated support team is ready to help. Regarding the targeted product, we kindly request your order placement by the final deadline. Thank you for your cooperation.

We appreciate your continued partnership and look forward to serving you with our latest and most advanced solutions.

-details-

1. Last order date

December 20, 2024

*If stock runs out before the above date, we will switch at that time.

Thank you for your understanding.

2. List of discontinued products and their successors

Discontinued Products		successor
IDBB-LSRC■△	→	IDBC-LSRC■△

*The ■ will contain the illumination length (100 to 2000). Illumination length is a multiple of 100.

*The △ indicates the light emitting color (W=white, B=blue).

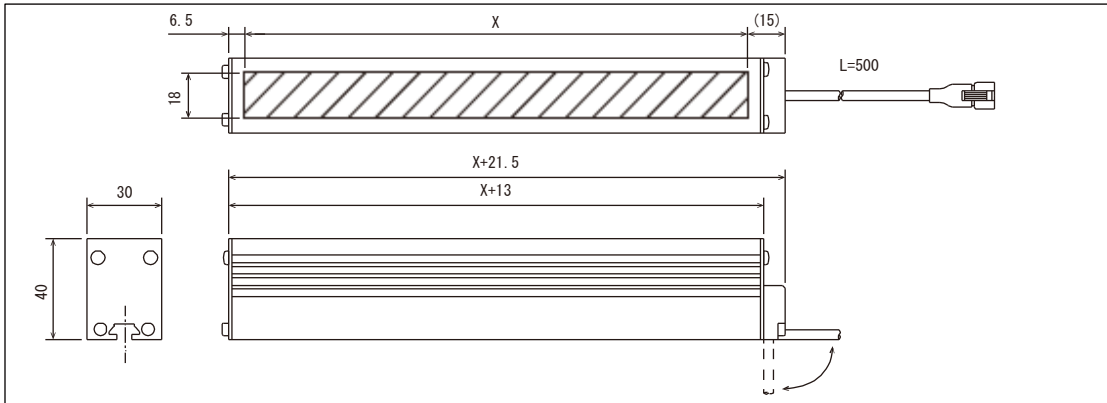
*Custom products based on the product in question are also eligible.

If you have any questions, please contact our sales representative.

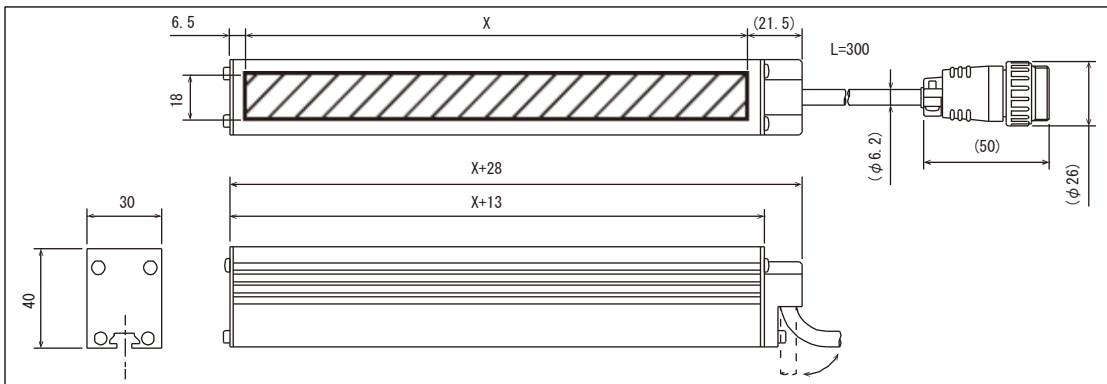
[Dimensions]

The areas shown in red are the differences.

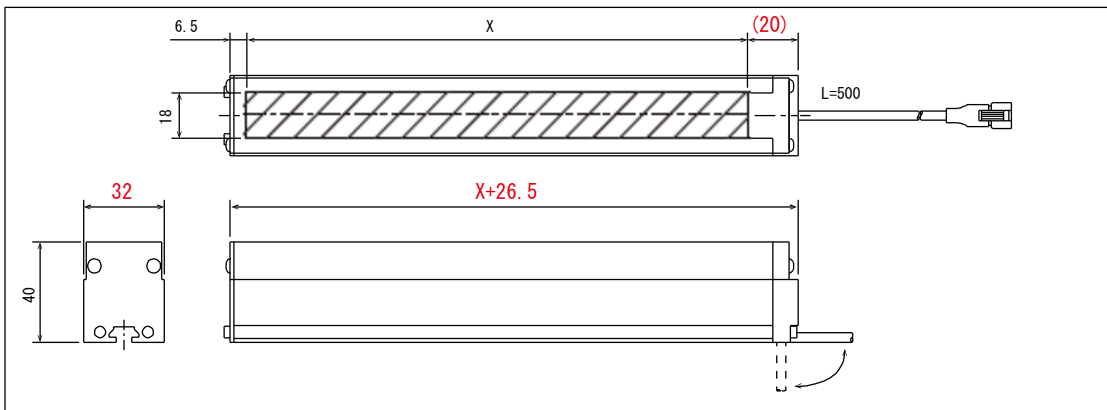
- IDBB-LSRC (X=100~700)



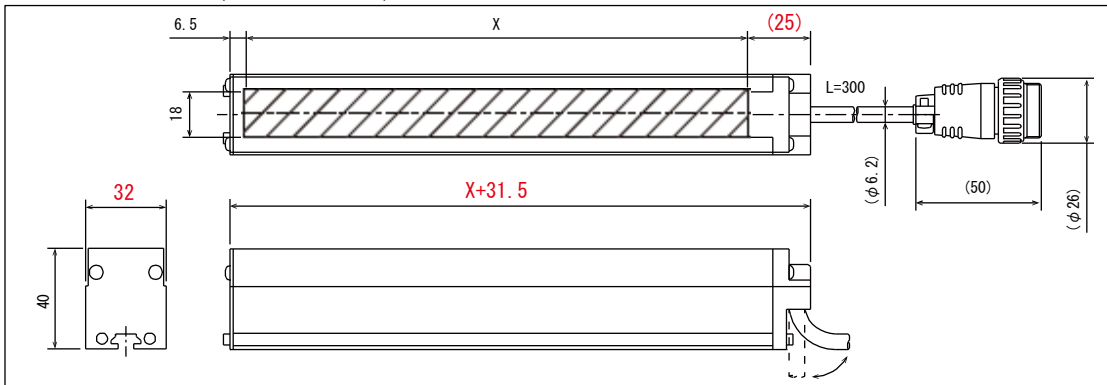
- IDBB-LSRC (X=800~2000)



- IDBC-LSRC (X=100~700)



- IDBC-LSRC (X=800~2000)



[Peak Wavelength]

In white, the color temperature decreases.
 There is no difference in blue.

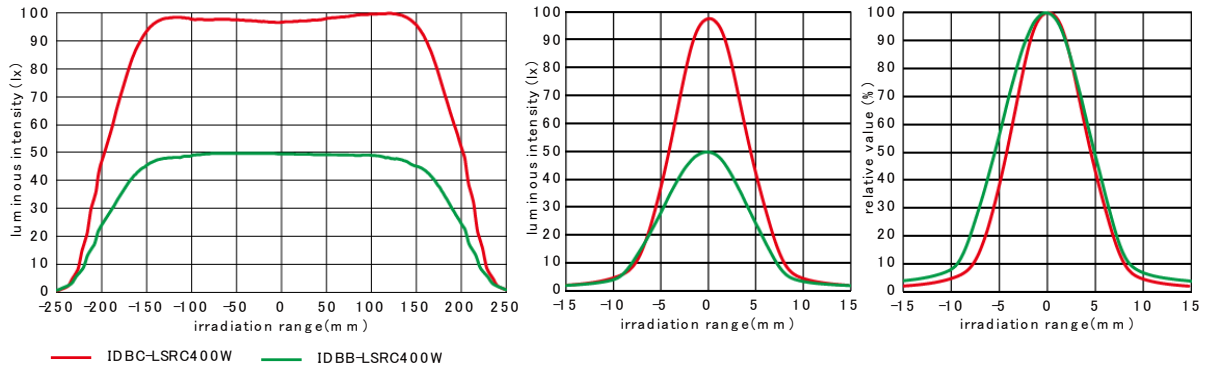
	Discontinued Products IDBB-LSRC series		successor IDBC-LSRC series
White (color temperature)	6,200k (tpy)	→	5,700k (tpy)
Blue (wavelength)	465nm		465nm

[Optical Properties]

Compared to the IDBB-LSRC series, the IDBC-LSRC series provides approximately 1.9 times more illumination in white. The IDBC-LSRC series can provide approximately 1.9 times as much illumination in white as the IDBB-LSRC series.



Light distribution characteristics are slightly narrower than those of the IDBB-LSRC series.



[Power Consumption]

Discontinued Products IDBB-LSRC series		successor IDBC-LSRC series
(9.5xn)W	→	(10xn)W

*n is the Illumination length divided by 100.