

November 2025

Dear Valued Customer

Leimac Ltd.
Sales Department
TEL : +81-77-585-6771
FAX : +81-77-585-6773

Notice of Discontinuation of Production for IDBB-LSRH Series Linear illumination

We would like to inform you that we have decided to discontinue the production of some of our products due to the end of production of LED elements used in our products and as part of our efforts to improve the efficiency of our management resources.

Please place your orders for the affected products by the final order date.
We apologize for any inconvenience this may cause and appreciate your understanding.

-Details-

1 . End of sales date

March 31, 2026 (Tuesday)

* If stock runs out before the above date, the order will be terminated at that time.
Please contact us regarding order acceptance.

2 . List of Discontinued Products and Their Successor products

Discontinued Products			Successor products	
Model	Input Voltage		Model	Input Voltage
IDBB-LSRH series	DC48V	→	IDBC-LSRH series	DC48V

* The IDBC-LSRH series offers four types of irradiation models.
These include the “High-Brightness Type,” “High-Uniformity Type,”
“High-Brightness Focusing Type,” and “High-Uniformity Focusing Type.”

If you have any questions, please contact our sales representative.

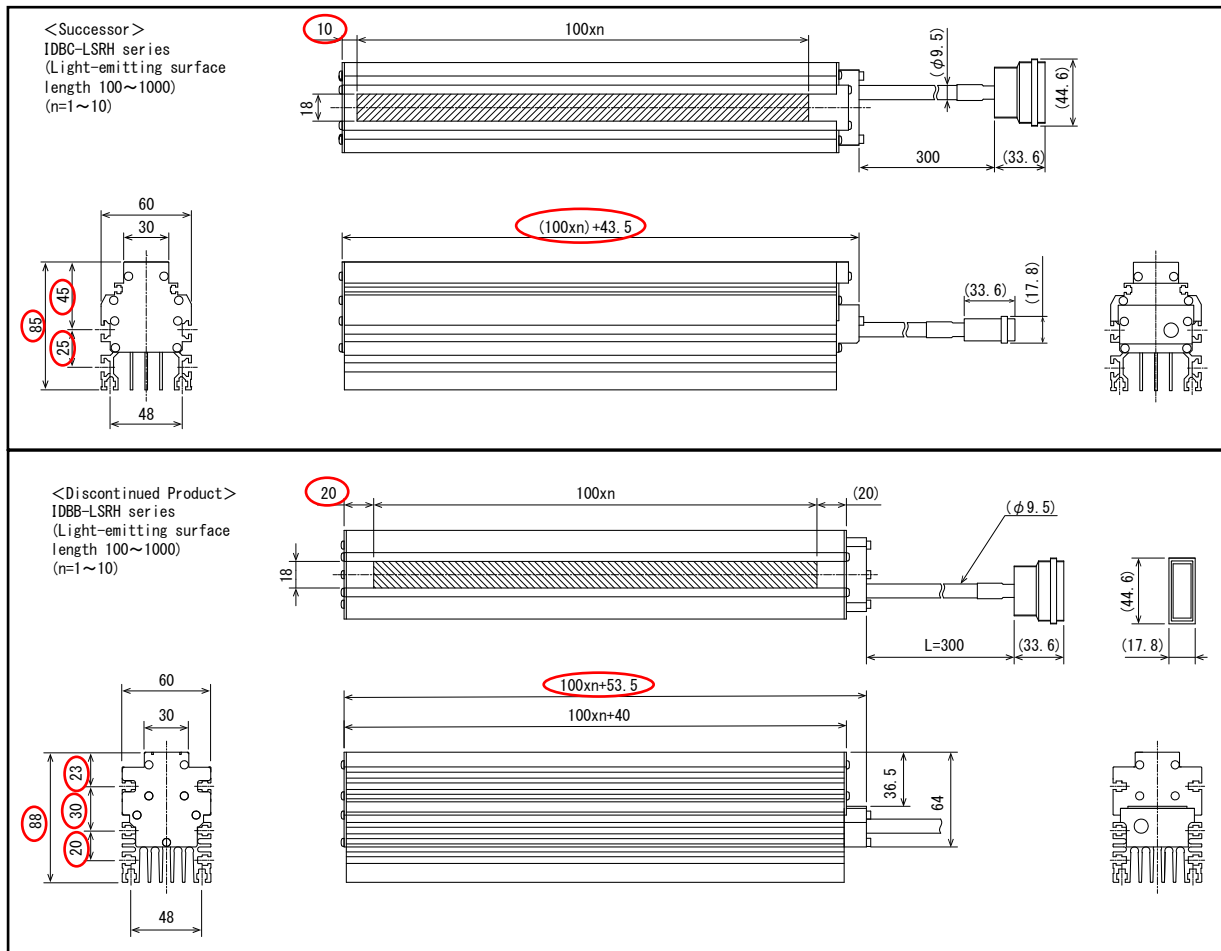
【 Compatible sizes 】

Discontinued Products		Successor	Discontinued Products		Successor
IDBB-LSRH100▽	→	IDBC-LSRH100▽□	IDBB-LSRH1600▽	→	IDBC-LSRH1600▽▲
IDBB-LSRH200▽		IDBC-LSRH200▽□	IDBB-LSRH1700▽		IDBC-LSRH1700▽▲
IDBB-LSRH300▽		IDBC-LSRH300▽□	IDBB-LSRH1800▽		IDBC-LSRH1800▽▲
IDBB-LSRH400▽		IDBC-LSRH400▽□	IDBB-LSRH1900▽		IDBC-LSRH1900▽▲
IDBB-LSRH500▽		IDBC-LSRH500▽□	IDBB-LSRH2000▽		IDBC-LSRH2000▽▲
IDBB-LSRH600▽		IDBC-LSRH600▽□	IDBB-LSRH2100▽		IDBC-LSRH2100▽▲
IDBB-LSRH700▽		IDBC-LSRH700▽□	IDBB-LSRH2200▽		IDBC-LSRH2200▽▲
IDBB-LSRH800▽		IDBC-LSRH800▽□	IDBB-LSRH2300▽		IDBC-LSRH2300▽▲
IDBB-LSRH900▽		IDBC-LSRH900▽□	IDBB-LSRH2400▽		IDBC-LSRH2400▽▲
IDBB-LSRH1000▽		IDBC-LSRH1000▽□	IDBB-LSRH2500▽		IDBC-LSRH2500▽▲
IDBB-LSRH1100▽		IDBC-LSRH1100▽▲	IDBB-LSRH2600▽		IDBC-LSRH2600▽▲
IDBB-LSRH1200▽		IDBC-LSRH1200▽▲	IDBB-LSRH2700▽		IDBC-LSRH2700▽▲
IDBB-LSRH1300▽		IDBC-LSRH1300▽▲	IDBB-LSRH2800▽		IDBC-LSRH2800▽▲
IDBB-LSRH1400▽		IDBC-LSRH1400▽▲	IDBB-LSRH2900▽		IDBC-LSRH2900▽▲
IDBB-LSRH1500▽		IDBC-LSRH1500▽▲	IDBB-LSRH3000▽		IDBC-LSRH3000▽▲

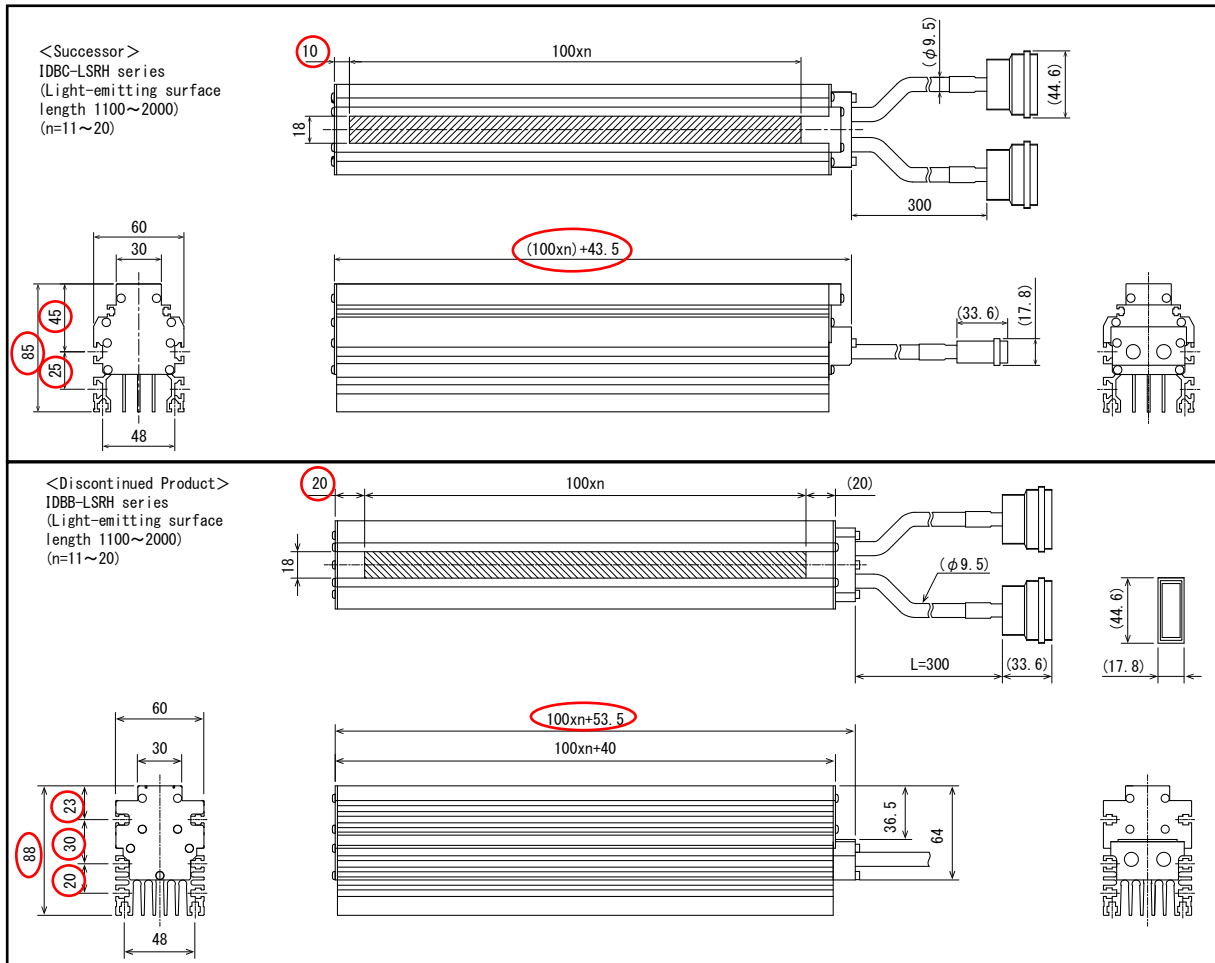
- * The symbol for light color will be inserted in the □ (W: white, B: blue)
- * □ indicates the illumination type (None: High-brightness type, -S: High-uniformity type, -IL: High-brightness focused type, -S-IL: High-uniformity focused type)
- * ▲ indicates the illumination type (None: High-brightness type, -S: High-uniformity type)

【 External Dimensions 】

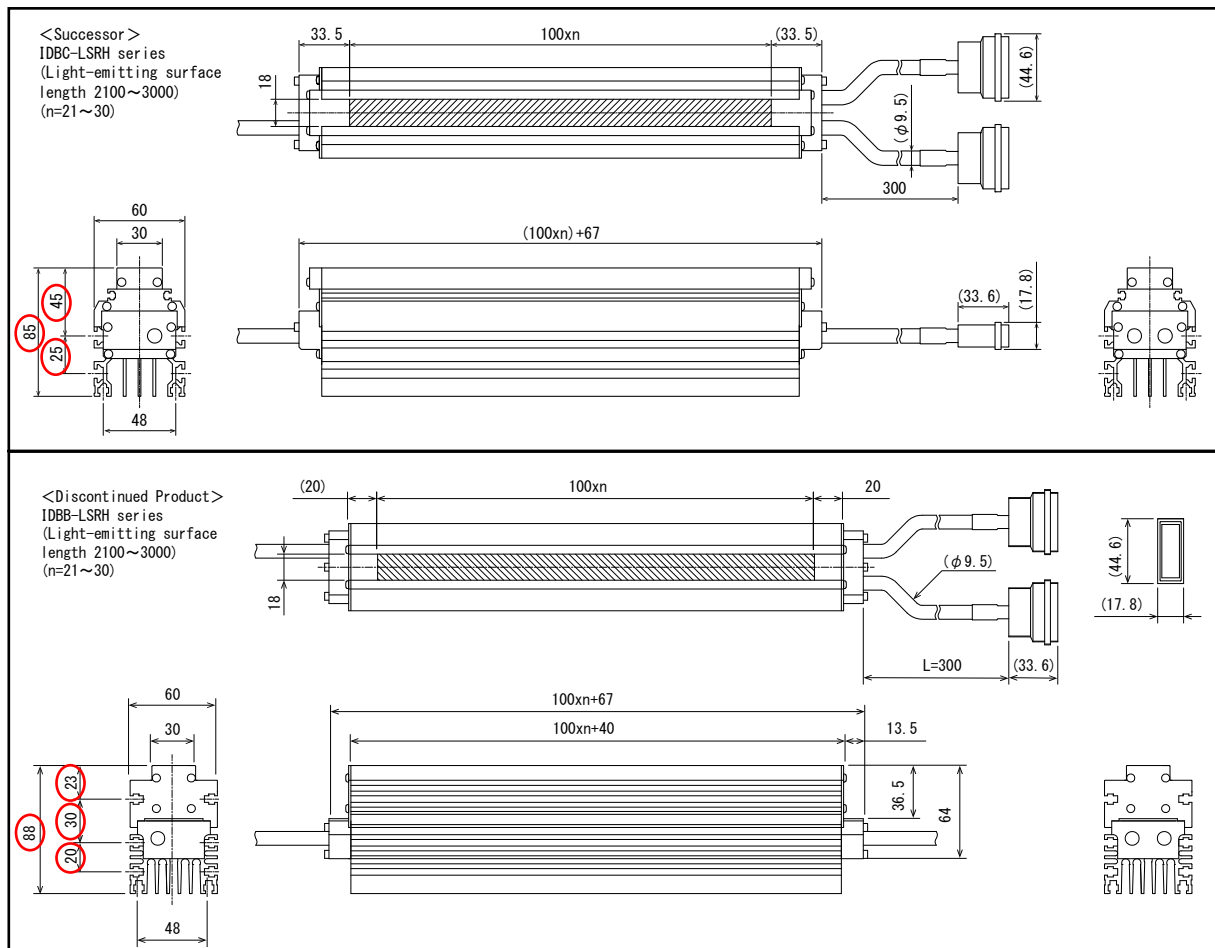
○Products with an illuminated surface size of 1000mm or less (n=1 to 10)



○Products with light-emitting surface size 1000mm-2000mm (n=11-20)



○Products with an illuminated surface size exceeding 2000 mm (n=21-30)



【 Power Consumption 】

	Light-Emitting Surface Size (mm)	Unit Light-Emitting Surface Length (mm)	Power Consumption (W)	Power Consumption (per Unit Length)
Successor IDBC-LSRH series	100~3000	100	30~900	30 (W/100mm)
Discontinued Product IDBB-LSRH series	100~3000	100	30~900	30 (W/100mm)

【 Color temperature 】

	Color temperature	→		Color temperature
Discontinued Product IDBB-LSRH series	4,900 K typ.		Successor IDBC-LSRH series	5,700 K typ.

【 Quality 】

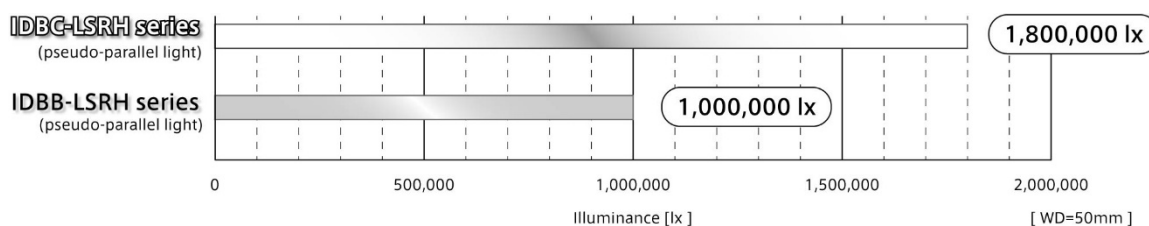
The successor IDBC-LSRH series is approximately 25% lighter than the IDBB-LSRH series, weighing around 72~74%.

(Comparison based on light-emitting surface sizes up to 1000mm. Sizes 1100mm and above are currently under evaluation.)

The High Uniformity Type (-S), High Brightness Concentrated Type (-IL), and High Uniformity Concentrated Type (-S-IL) are 1-2% heavier than the High Brightness Type.

Discontinued Products		→	Successor	
Model	Quality		Model	Quality
IDBB-LSRH100	870g		IDBC-LSRH100	630g
IDBB-LSRH500	3100g		IDBC-LSRH500	2270g
IDBB-LSRH1000	5800g		IDBC-LSRH1000	4320g

【 Brightness Comparison 】



Should you have any questions or concerns, please do not hesitate to contact our sales representative.