

June 30, 2022

Dear Valued Customer

Leimac Ltd.  
LED Lighting Group  
Sales Department  
TEL : +81-77-585-6771  
FAX : +81-77-585-6773

Notice of discontinued product (IDD-K series)

This is to inform you about the discontinuation of certain products due to parts discontinuation and improving the efficiency of management resources.

Regarding the target products, please switch to the replacement by the final order deadline.

We regret any inconvenience caused by this product discontinuation and would kindly like to request your cooperation.

- Details -

1. End of sales date

Tuesday, December 27, 2022

2. List of Discontinued Products and their Replacements

Discontinued Product			Replacement	
Model	Input voltage		Model	Input voltage
IDD-K80□	DC12V	→	IDDB-KH 80■	DC12V
IDD-K120□	DC12V	→	IDDB-KH 120■	DC12V
IDD-K150□	DC12V	→	IDDB-KH 150■	DC12V

\* represents the color. (R=Red, DW=White, B=Blue, G=Green)

\* represents the color. (R=Red, AW=White, B=Blue, G=Green)

For green color, please adopt the IDDA-KH-RGB series.

\* These also apply to DC 24V specifications.

If you have any questions regarding this change, please contact our sales staff.

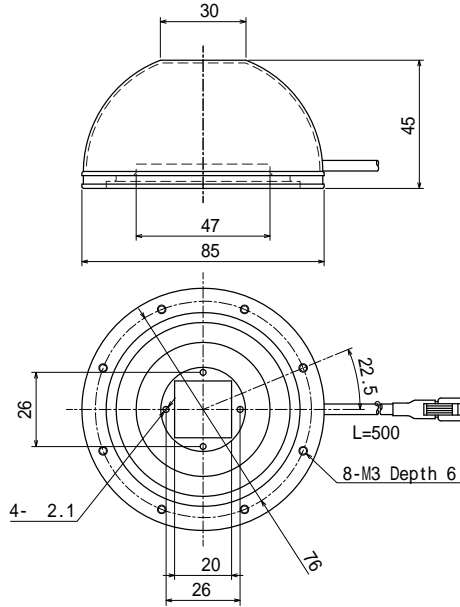
**【 External Dimensions 】**

Since the case material and shape have been changed, the irradiation side aperture diameter and mounting method have also been changed.

< New Product >

**IDDB-KH80**

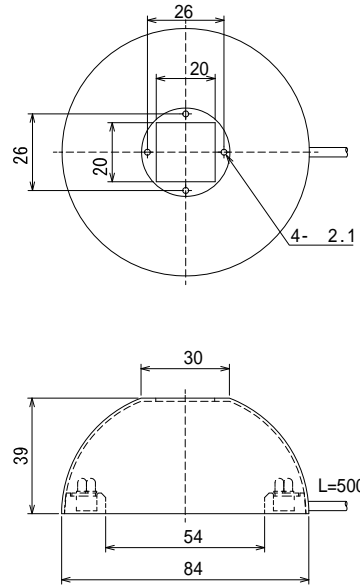
Weight : 105g



< Discontinued Product >

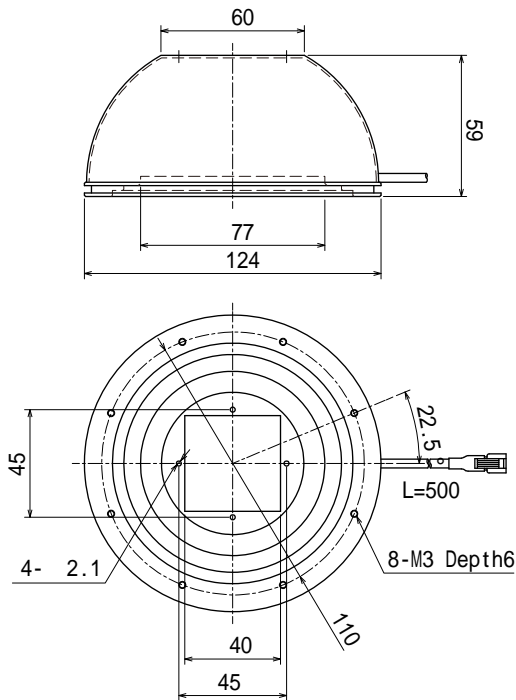
**IDD-K80**

Weight : 60g



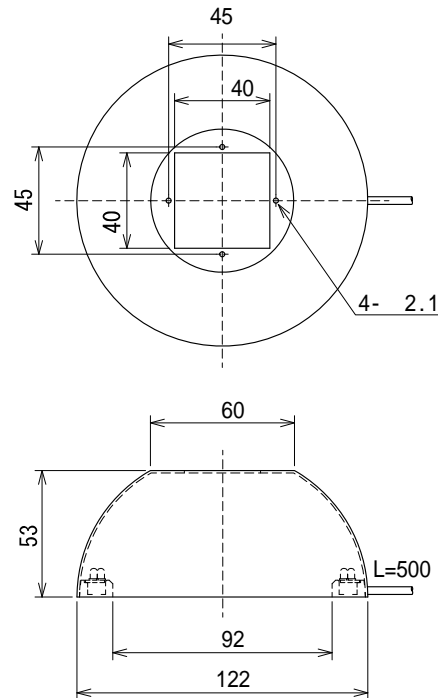
**IDDB-KH120**

Weight : 195g



**IDD-K120**

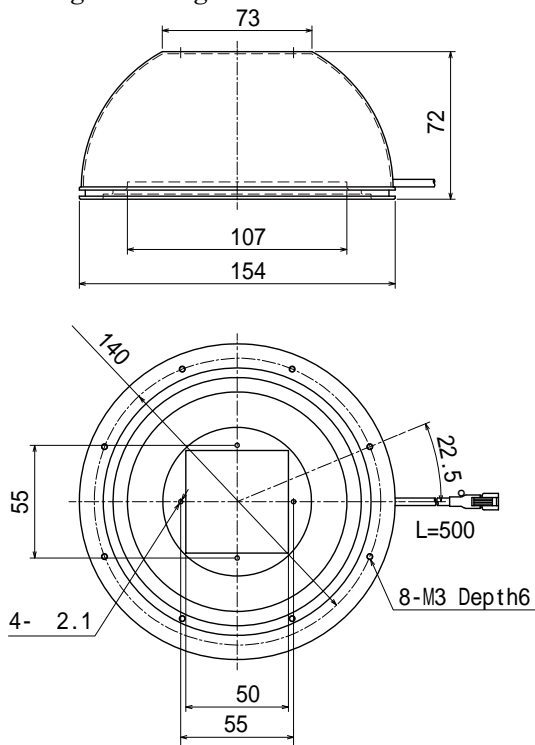
Weight : 105g



Unit : mm

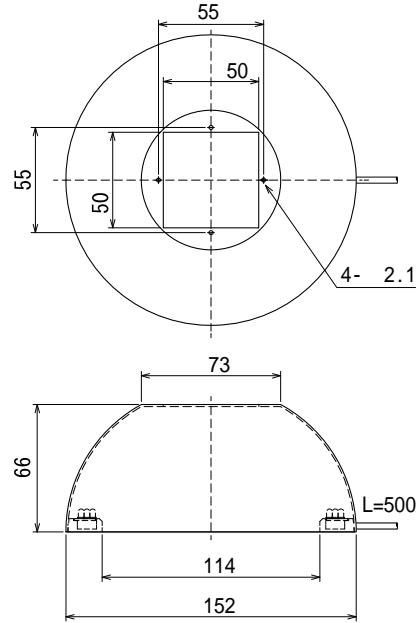
**IDDB-KH150**

Weight : 260g



**IDD-K150**

Weight : 155g



Unit : mm

**【 Power Consumption 】**

Size	Color	New Product	Discontinued Product
80	White	9.0W	4.4W
	Red	9.0W	3.9W
	Blue	9.0W	4.4W
120	White	13.5W	7.2W
	Red	13.5W	6.3W
	Blue	13.5W	7.2W
150	White	18.0W	13.0W
	Red	18.0W	10.8W
	Blue	18.0W	13.0W

**【 Brightness 】**

Compared to discontinued products –

Red: more than 7 times, White: more than 2 times, Blue: more than 1.5 times

**【 Peak wavelength, color temperature 】**

Color	New Product	Discontinued Product
White	4,900K typ.	7,000K typ.
Red	635nm	660nm
Blue	465nm	470nm

If you have any questions regarding this change, please contact our sales staff.