

July 15, 2022

Dear Valued Customer

Leimac Ltd.  
LED Lighting Group  
Sales Department  
TEL : +81-77-585-6771  
FAX : +81-77-585-6773

Notice of order stoppage for constant voltage controllers IWDV-100S-24

Due to the worldwide shortage of semiconductors and electronic components, longer delivery times of materials have become evident, and it has become difficult to procure the materials used in our controllers.

We will temporarily stop accepting orders for the constant voltage controllers IWDV-100S-24. Please consider switching to the recommended alternative product as soon as the materials are no longer available.

We apologize for any inconvenience this may cause and appreciate your understanding.

- Details -

1. Changingover time

IWDV-100S-24 controllers materials as soon as they are not available.  
Orders will resume as soon as parts procurement returns to normal.

2. Order Stop product and Substitutes

Order Stop product		Recommended substitute product
IWDV-100S-24		IWDV-300S-24

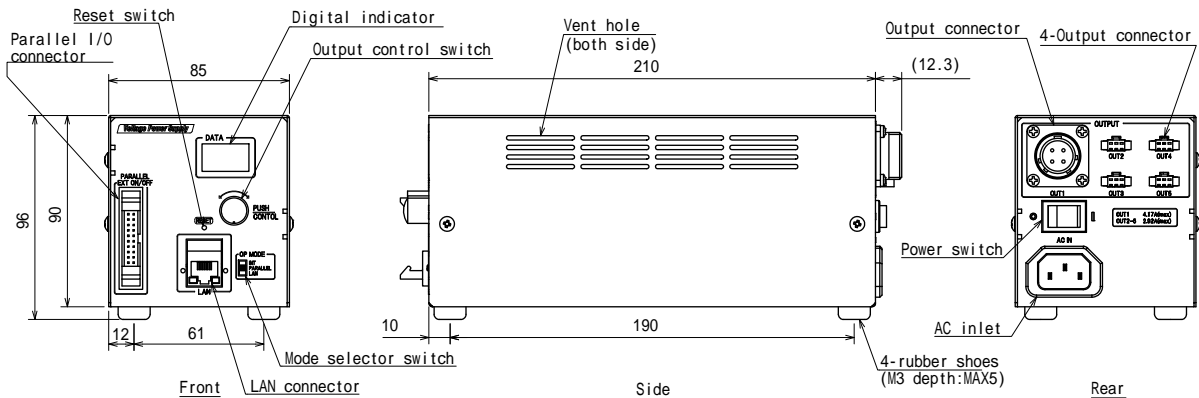
### 3. Specifications Comparison

	Order Stop product	Recommended substitute product	compatibility
Model	IWDV-100S-24	IWDV-300S-24	-
Input voltage	AC100-240V		
Output voltage (L mode)	DC7 ~ 24V 1000Levels		
Output capacity	TOTAL 100W	TOTAL 300W	
Connection Channels	Metal connector 1 pc. SM connector 4 pcs.	Metal connector 2 pc. SM connector 4 pcs.	
External control method *	LAN communication, 10bit parallel communication		
Dimensions of main unit (mm)	210(L) × 85(W) × 96(H)	240(L) × 95(W) × 116(H)	
Weight	About 1,500g	About 2,300g	
Cooling Method	Natural Air-Cooling	Forced Air-cooling (FAN)	×
Safety Standard	PSE CE	PSE CE	

\* LAN communication commands are fully compatible.

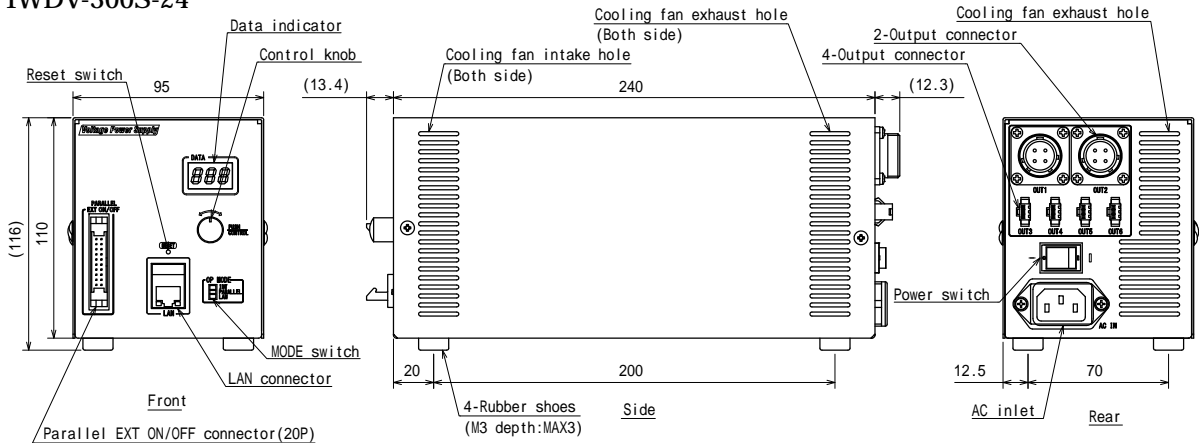
#### < Order Stop product >

##### IWDV-100S-24



#### < Recommended substitute product >

##### IWDV-300S-24



If you have any questions regarding this change, please contact your sales representative.