

Jul. 22, 2022

Dear Valued Customer

Leimac Ltd.
LED Lighting Group
Sales Department
TEL : +81-77-585-6771
FAX : +81-77-585-6773

Notice of Discontinuation of UV-LED Lighting Equipment
(IDHR Series / IDBA-CH Series)

As part of our efforts to streamline our management resources, we have decided to discontinue the production of some of our products.

We would like to request that all affected products be switched to the replacement model by the final order date.

We apologize for any inconvenience this may cause and thank you for your understanding.

- Details -

1 . End of Sales

Tuesday, January 31, 2023

2 . List of Discontinued Products and their Replacements

Discontinued Product			Discontinued Product	
Model	Input Voltage		Model	Input Voltage
IDHR-60□-UV-(***)	DC24V	→	IDHRA-65□-UV-(***)	DC24V
IDHR-100□-UV-(***)	DC24V	→	IDHRA-100□-UV-(***)	DC24V
IDBA-CH75□-UV-(***)	DC24V	→	IDBB-CH75□-UV-(***)	DC24V
IDBA-CH150□-UV-(***)	DC24V	→	IDBB-CH150□-UV-(***)	DC24V
IDBA-CH225□-UV-(***)	DC24V	→	IDBB-CH225□-UV-(***)	DC24V
IDBA-CH300□-UV-(***)	DC24V	→	IDBB-CH300□-UV-(***)	DC24V
IDBA-CH375□-UV-(***)	DC24V	→	IDBB-CH375□-UV-(***)	DC24V
IDBA-CH450□-UV-(***)	DC24V	→	IDBB-CH450□-UV-(***)	DC24V
IDBA-CH525□-UV-(***)	DC24V	→	IDBB-CH525□-UV-(***)	DC24V
IDBA-CH600□-UV-(***)	DC24V	→	IDBB-CH600□-UV-(***)	DC24V
IDBA-CH675□-UV-(***)	DC24V	→	IDBB-CH675□-UV-(***)	DC24V

* represents the light distribution angle (L, S).

* (***) is the emission wavelength (365 / 375 / 385 / 395 / 405).

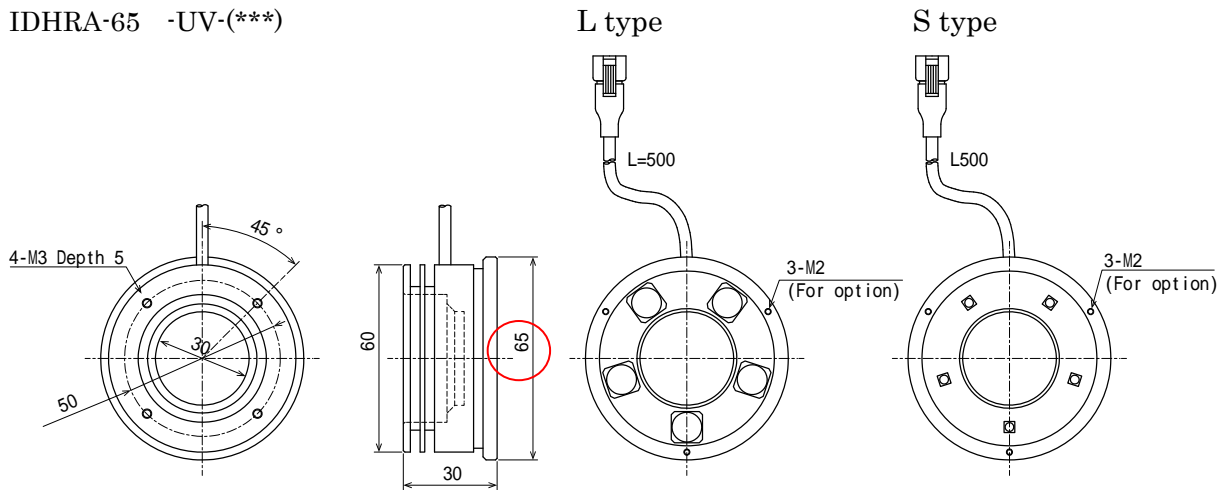
If you have any questions regarding this change, please contact your sales representative.

[External Dimensions]

The case shape is changed between old and new.

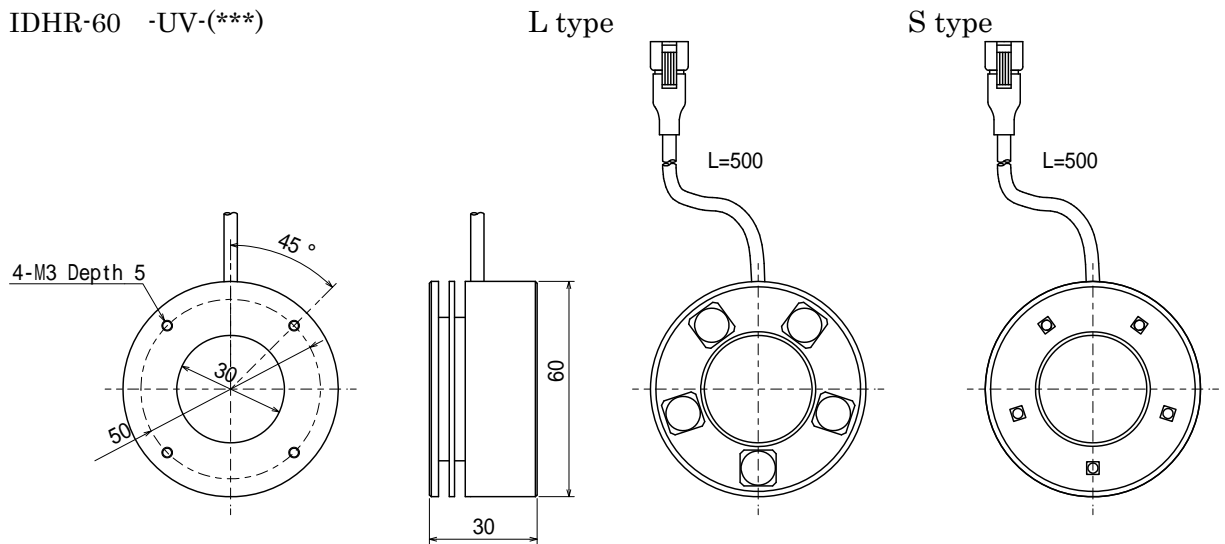
< New Product >

IDHRA-65 -UV-(***)



< Discontinued Product >

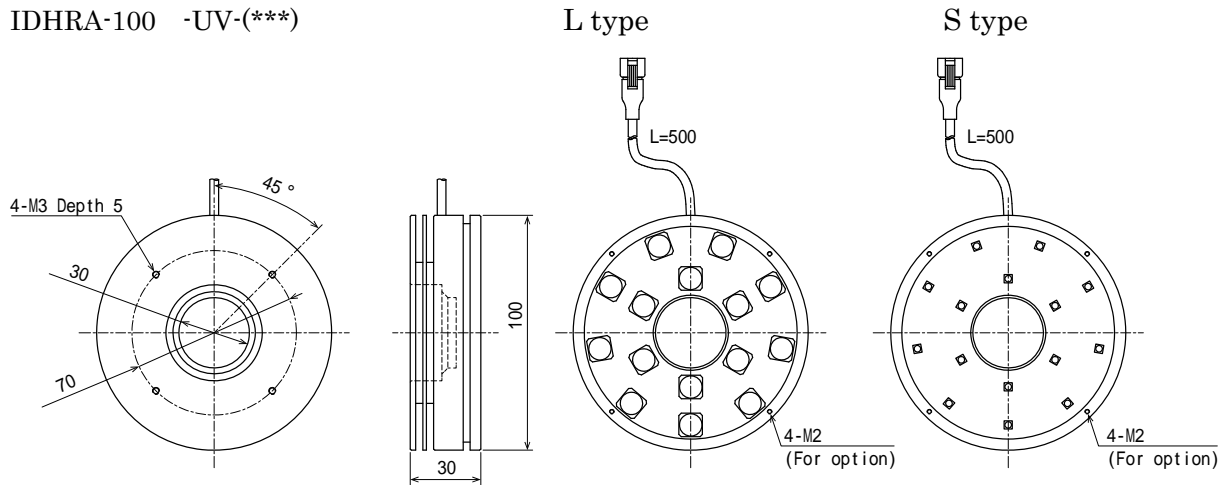
IDHR-60 -UV-(***)



Unit : mm

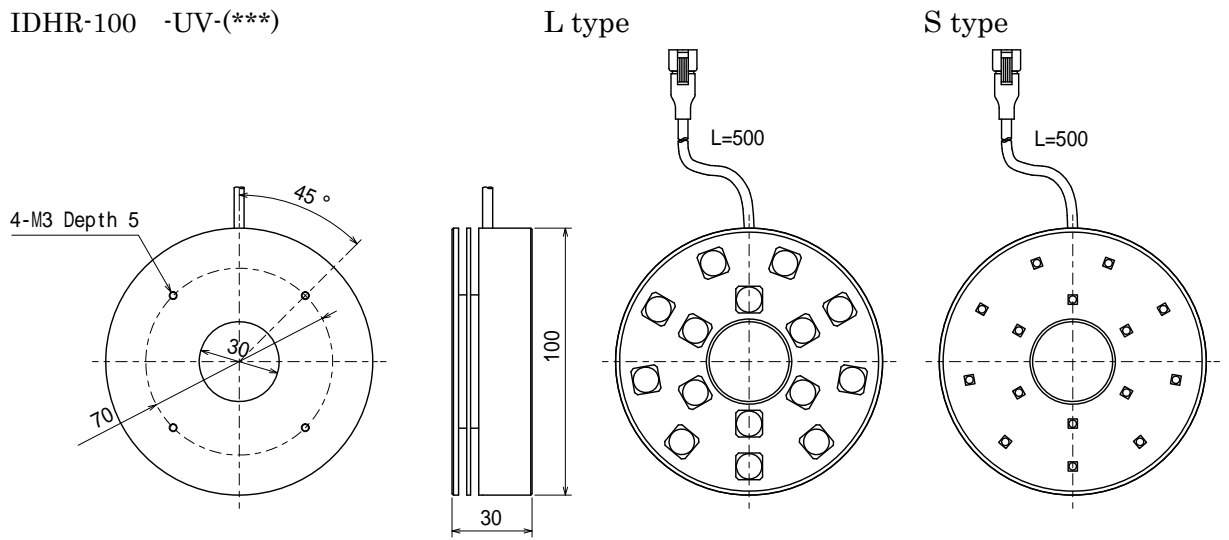
< New Product >

IDHRA-100 -UV-(***)



< Discontinued Product >

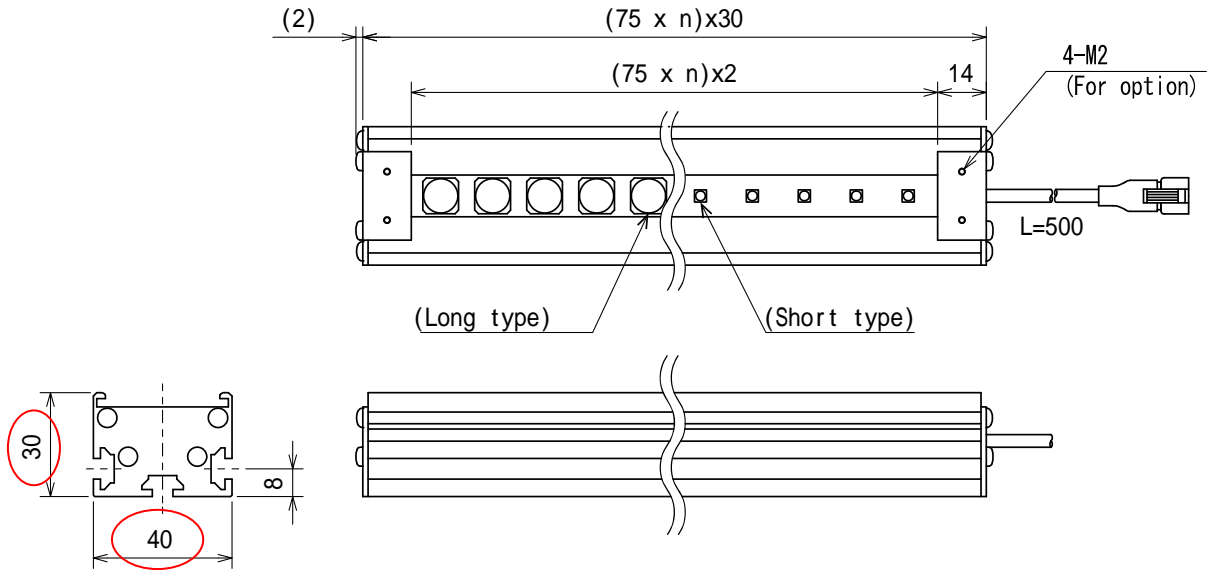
IDHR-100 -UV-(***)



Unit : mm

< New Product >

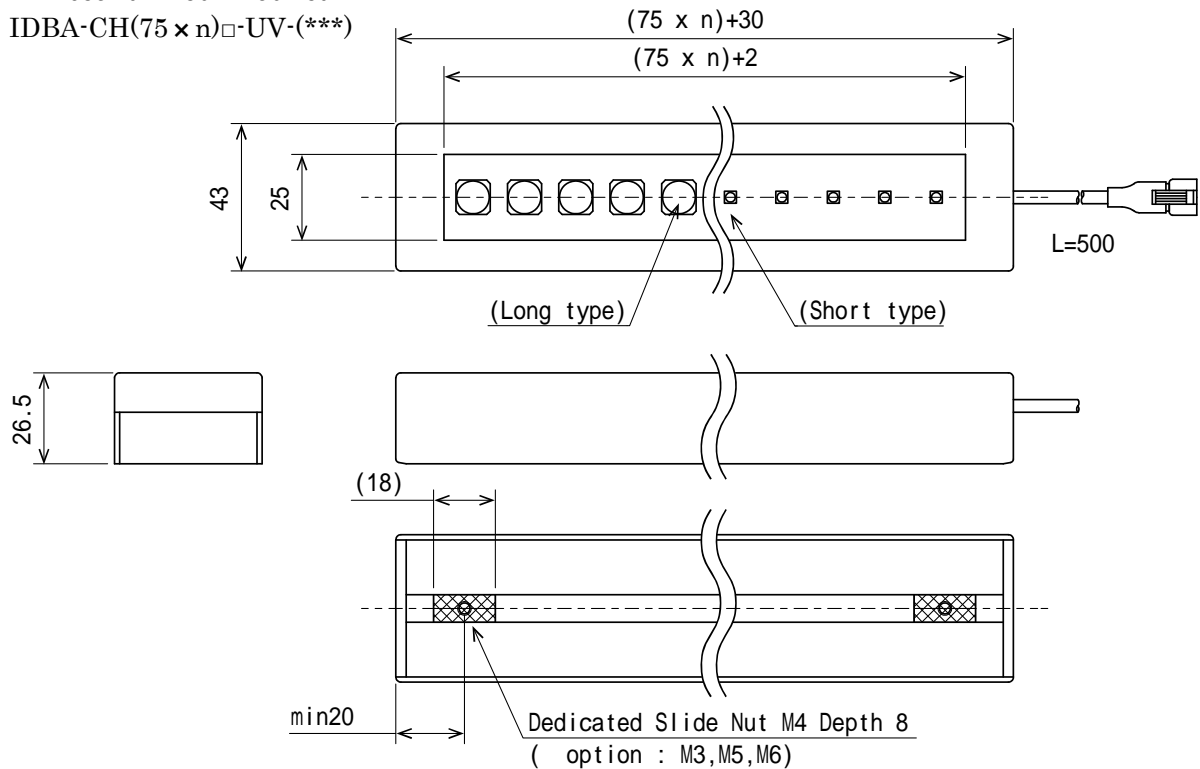
IDBB-CH(75 × n)□-UV-(***)



* Add the mounting groove on side of case.

< Discontinued Product >

IDBA-CH(75 × n)□-UV-(***)



Unit : mm

There are no other changes in optical characteristics, power consumption, brightness, or wavelength characteristics.

If you have any questions regarding this change, please contact your sales representative.